

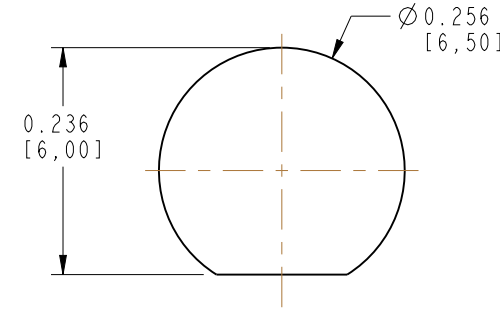
NOTES:

1. MATERIALS AND FINISHES:
 SMA STR PLUG - BRASS, GOLD PLATING
 SMA STR BHD JACK - BRASS, GOLD PLATING
 CABLE - RG 142
2. ELECTRICAL:
 A. IMPEDANCE: 50 OHM
3. PACKAGING:
 A. QUANTITY: SINGLE PACK
 B. MARKING: BAG TO BE MARKED
 "AMPHENOL RF, 135110-07-XX-XX AND DATE CODE"

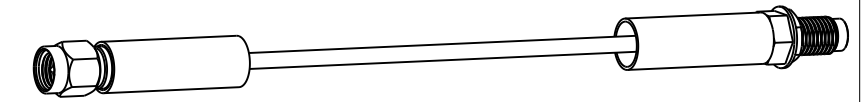
THIRD ANGLE PROJ.

REVISIONS

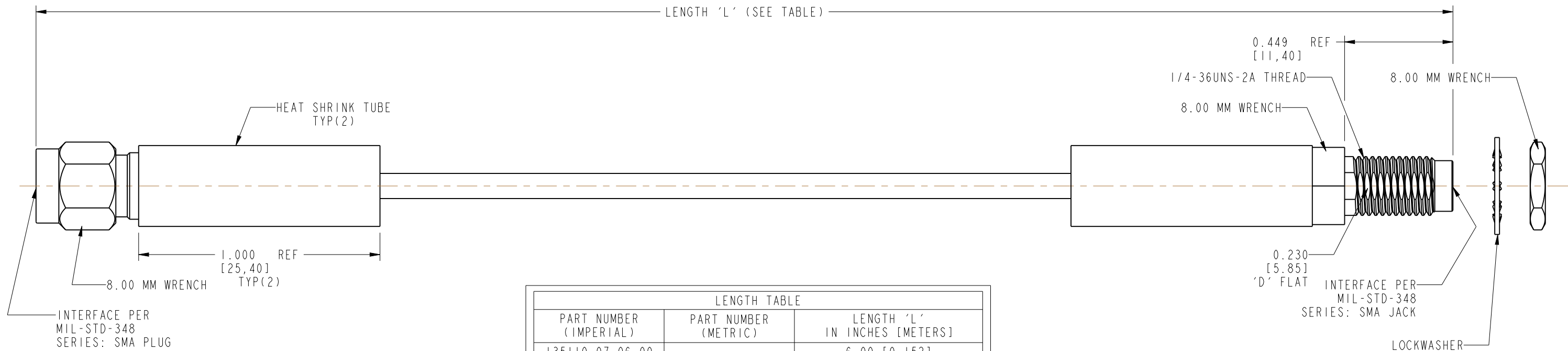
REV	DESCRIPTION	DATE	ECO	APPR
--	RELEASE TO MFG.	--	--	--
B	COD SHEET ADDED	30-Jul-19	12434	VK



RECOMMENDED MOUNTING HOLE DIMENSIONS



SCALE 0.800



LENGTH 'L' (SEE TABLE)

LENGTH TABLE		
PART NUMBER (IMPERIAL)	PART NUMBER (METRIC)	LENGTH 'L' IN INCHES [METERS]
135110-07-06.00	-	6.00 [0.152]
-	135110-07-M0.25	9.84 [0.250]
135110-07-12.00	-	12.00 [0.305]
-	135110-07-M0.50	19.69 [0.500]
135110-07-24.00	-	24.00 [0.610]
-	135110-07-M0.75	29.53 [0.750]
135110-07-36.00	-	36.00 [0.914]
-	135110-07-M1.00	39.37 [1.000]
135110-07-48.00	-	48.00 [1.219]
-	135110-07-M2.00	78.74 [2.000]
-	135110-07-M6.00	236.22 [6.000]

TOLERANCE TABLE	
LENGTH IN INCHES/FT [METERS]	TOLERANCE
0" - 23.90" [0 - 0.607]	±0.25" [0.006]
24.00" - 59.00" [0.610 - 1.499]	±0.50" [0.013]
5.0' - 24.9' [1.524 - 7.617]	±2.5%
25.0' & UP [7.620 & UP]	±5.0%

DESIGN REQUIREMENTS:

- | | |
|---|---|
| <input checked="" type="checkbox"/> FREQUENCY: ---- GHz | <input checked="" type="checkbox"/> CONTINUITY |
| <input type="checkbox"/> VSWR: ---- 1 MAX. | <input checked="" type="checkbox"/> HI-POT: 1000 VRMS |
| <input type="checkbox"/> INS. LOSS: ---- dB MAX. | <input type="checkbox"/> OTHER |

CUSTOMER OUTLINE DRAWING

ALL OTHER SHEETS ARE FOR INTERNAL USE ONLY

UNLESS OTHERWISE SPECIFIED, DIMENSIONS ARE IN INCHES AND TOLERANCES ARE: 2 PLACE DECIMAL 3 PLACE DECIMAL ANGLES ±.015 (0.381 mm) ±.005 (0.127 mm) ± 1°	MATERIAL	DRAWN	DATE	TITLE SMA STR PLUG TO SMA STR BHD JACK USING RG142 CABLE VARIOUS LENGTH		Amphenol RF www.amphenolrf.com	
	SEE NOTES	VIJI K	19-Jul-19				
NOTICE - These drawings, specifications, or other data (1) are, and remain the property of Amphenol corp. (2) must be returned upon request; and (3) are confidential and not to be disclosed to any person other than those to whom they are given by Amphenol Corp. the furnishing of these drawings, specifications, or other data by Amphenol Corp., or to any other person to anyone for any purpose is not to be regarded by implication or otherwise in any manner licensing, granting rights to permitting such holder or any other person to manufacture, use or sell any product, process or design, patented or otherwise, that may in any way be related to or disclosed by said drawings, specifications, or other data.	REFERENCE EAR #	ENGINEER	DATE	SCALE: 2.4:1.0 SHEET 2 OF 2		DRAWING NO. 135110-07-XX-XX ITEM NO. 135110-07-XX-XX	
	CONFIGURATION LEVEL: In Work	CLEMENT	07-May-10				
	FINISH	APPROVED	DATE		DWG SIZE	REV	PART NO. 135110-07-XX-XX
		K.CAPOZZI	30-Jul-19	B	B		