

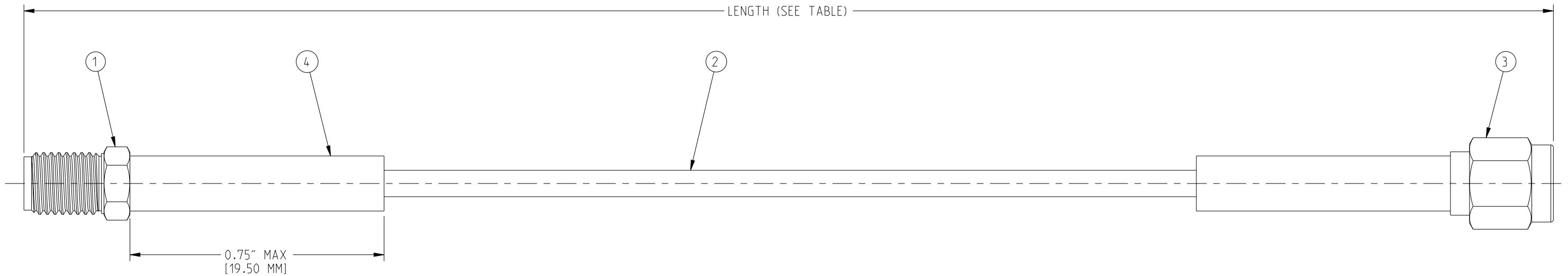
NOTES:

1. PACKAGE CABLE ASSEMBLY IN BAG. TAG IN BAG WITH "AMPHENOL CONNEX, 135106-01-XX.XX AND DATE CODE".
2. CABLE ASSEMBLY TO BE 100% TESTED FOR HI-POT, CONTINUITY, SHORTS AND OPEN.

135106-01-XX.XX		REVISIONS			
DRAWING NO.	REV	DESCRIPTION	DATE	ECO	APPR
THIRD ANGLE PROJ.	A	RELEASE TO MFG.	05-Apr-12	--	MG



SCALE 0.500



PART NUMBER	LENGTH
135106-01-06.00	6"±0.15
135106-01-12.00	12"±0.15
135106-01-24.00	24"±0.25
135106-01-36.00	36"±0.50

DESIGN REQUIREMENTS:

- | | |
|---|---|
| <input type="checkbox"/> FREQUENCY _____ TO _____ GHz | <input checked="" type="checkbox"/> CONTINUITY |
| <input type="checkbox"/> VSWR _____ : 1 MAX | <input checked="" type="checkbox"/> HI-POT : 500 VRMS |
| <input type="checkbox"/> INS. LOSS _____ dB MAX | <input type="checkbox"/> OTHER |

009-954-341	A/R	4	HEAT SHRINK TUBE	
132114	1	3	SMA CRIMP PLUG	
009-881-205	A/R	2	RG-316 CABLE	
132117	1	1	SMA CRIMP JACK	
PART NUMBER	QTY	ITEM	DESCRIPTION	FINISH

UNLESS OTHERWISE SPECIFIED, DIMENSIONS ARE IN INCHES AND TOLERANCES ARE: 2 PLACE DECIMAL ±.015 (0,381 mm) 3 PLACE DECIMAL ±.005 (0,127 mm) ANGLES ± 1°	MATERIAL	DRAWN GOPI M	DATE 05-Apr-12	TITLE SMA CRIMP JACK, TO SMA CRIMP PLUG, USING RG-316 CABLE, VARIOUS LENGTH.	Amphenol Connex
	REFERENCE TASK - 896	ENGINEER GOPI M	DATE 05-Apr-12		
NOTICE - These drawings, specifications, or other data (1) are, and remain the property of Amphenol Corp. (2) must be returned upon request; and (3) are confidential and not to be disclosed to any person other than those to whom they are given by Amphenol Corp. The furnishing of these drawings, specifications, or other data by Amphenol Corp., or to any other person to anyone for any purpose is not to be regarded by implication or otherwise in any manner licensing, granting rights or permitting such holder or any other person to manufacture, use or sell any product, process or design, patented or otherwise, that may in any way be related to or disclosed by said drawings, specifications, or other data.		APPROVED	DATE	SCALE: 2.5:1	SHEET 1 OF 1
		CAD FILE	DWG SIZE B	DRAWING NO. 135106-01-XX.XX	REV A