

NOTES:

1. MATERIALS AND FINISHES:

BODY - ZINC ALLOY, GOLD PLATING  
 CONTACT PIN - BERYLLIUM COPPER, GOLD PLATING  
 INSULATOR - PTFE, NATURAL

2. ELECTRICAL:

A. IMPEDANCE: 50 OHM  
 B. FREQUENCY RANGE: DC - 11 GHz  
 C. VSWR (RETURN LOSS): 1.3 MAX.  
 D. DIELECTRIC WITHSTANDING VOLTAGE: 1000 VRMS, MIN.

3. MECHANICAL:

A. DURABILITY: 500 CYCLES MIN.  
 B. TEMPERATURE RANGE: -65° C TO +165° C  
 C. RECOMMENDED TORQUE METHOD: HAND TORQUE ONLY

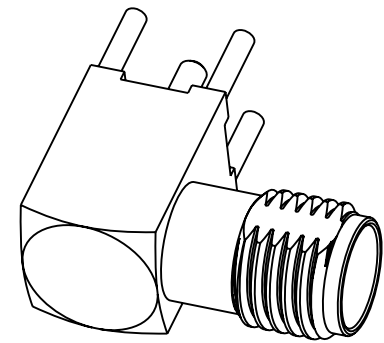
4. PACKAGING

A. QUANTITY: SINGLE PACK  
 B. BAG TO BE MARKED: AMPHENOL RF  
 901-10434  
 SMA6252D1-3GT5GP-50  
 YYWW

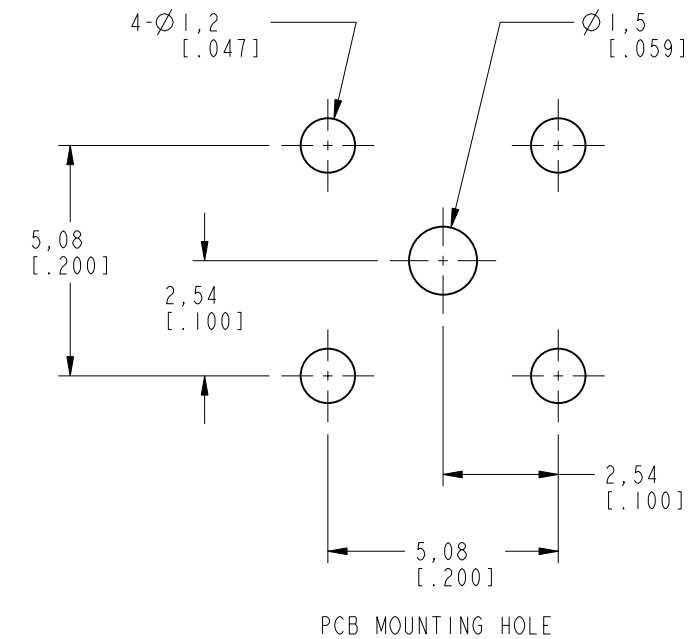
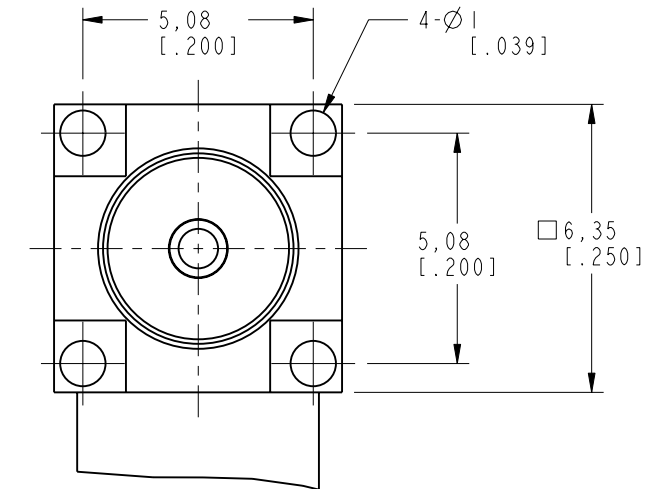
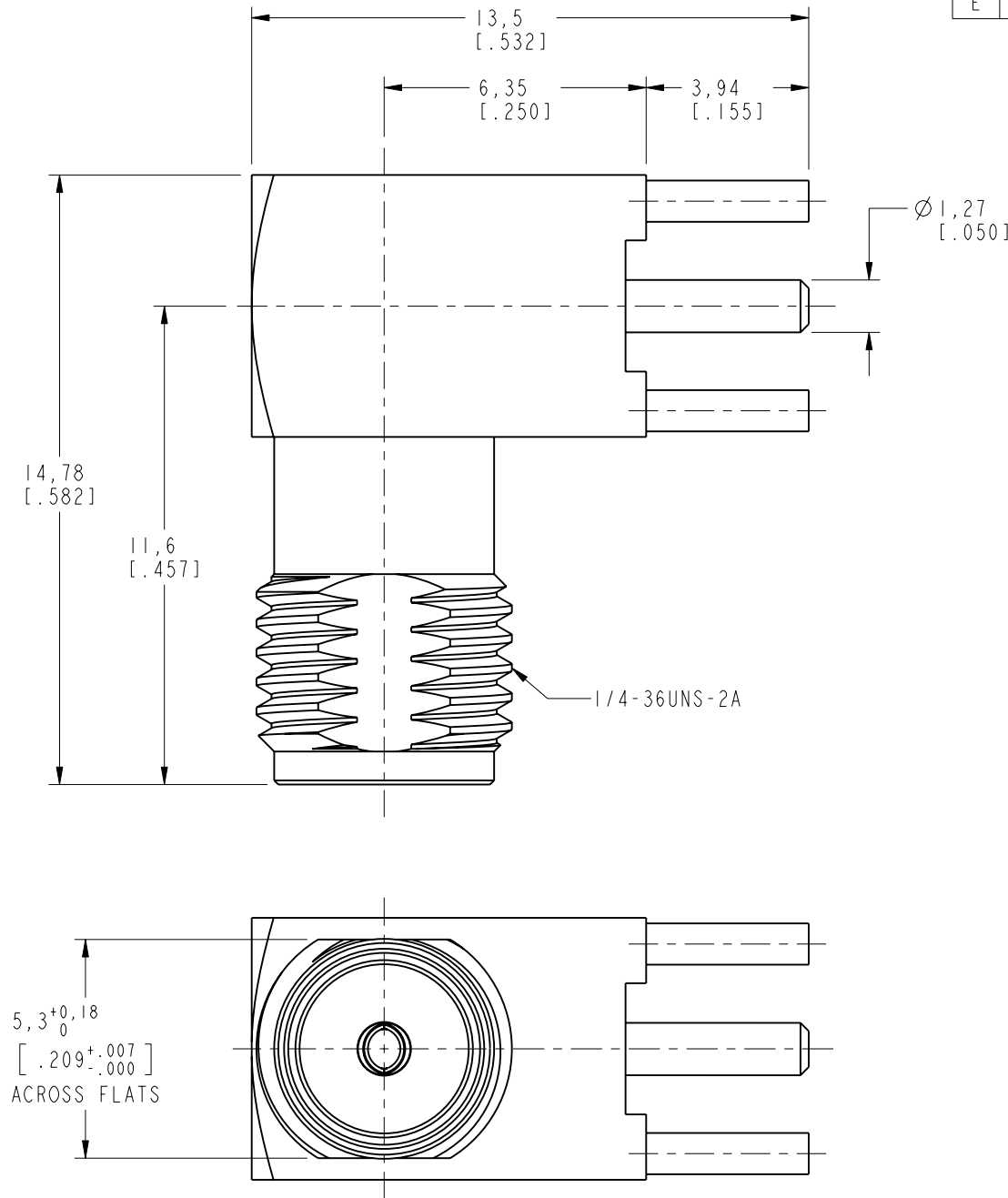
THIRD ANGLE PROJ.

REVISIONS

REV	DESCRIPTION	DATE	ECO	APPR
A	RELEASE TO MFG.	23-Nov-12		MZ
B	ADDED RF PN:901-10434	03-Jul-14	50075	RM
D	SYNCH DWGS ADD SHEET 3	10-Jul-14	50102	RM
E	THE BODY WAS CHANGED\RD-DMI5111101M	19-Nov-15	50804	SH



SCALE 3.000



5,3<sup>+0.18</sup><sub>0</sub>  
 [.209<sup>+.007</sup><sub>.000</sub>]  
 ACROSS FLATS

**CUSTOMER OUTLINE DRAWING**

ALL OTHER SHEETS ARE FOR INTERNAL USE ONLY

UNLESS OTHERWISE SPECIFIED, DIMENSIONS ARE IN METRIC AND TOLERANCES ARE: <0.5mm ±0.05mm    0.5 - 6mm ±0.1mm    6 - 30mm ±0.2mm    30 - 120mm ±0.3mm    ANGLES ±1°	MATERIAL	DRAWN M. ZHANG	DATE 19-Nov-15	TITLE SMA R/A P.C. MOUNT JACK	Amphenol RF www.amphenolrf.com
	REFERENCE AND	ENGINEER S. LI	DATE 23-Nov-12		
NOTICE - These drawings, specifications, or other data (1) are, and remain the property of Amphenol corp. (2) must be returned upon request; and (3) are confidential and not to be disclosed to any person other than those to whom they are given by Amphenol Corp. the furnishing of these drawings, specifications, or other data by Amphenol Corp., or to any other person to anyone for any purpose is not to be regarded by implication or otherwise in any manner licensing, granting rights to permitting such holder or any other sperson to manufacture, use or sell any product, process or design, patented or otherwise, that may in any way be related to or disclosed by said drawings, specifications, or other data.	CONFIGURATION LEVEL: In Work	APPROVED S. HSIEH	DATE 19-Nov-15	SCALE: 6.0:1.0	SHEET 2 OF 3
	FINISH	CAD FILE			DWG SIZE B
					DRAWING NO. SMA6252D1-3GT5GP-50
					ITEM NO. 116252AAL66FR5F
					PART NO. 901-10434

NOTES:

1. MATERIALS AND FINISHES:

BODY - ZINC ALLOY, GOLD PLATING  
 CONTACT PIN - BERYLLIUM COPPER, GOLD PLATING  
 INSULATOR - PTFE, NATURAL

2. ELECTRICAL:

A. IMPEDANCE: 50 OHM  
 B. FREQUENCY RANGE: DC - 11 GHz  
 C. VSWR (RETURN LOSS): 1.3 MAX.  
 D. DIELECTRIC WITHSTANDING VOLTAGE: 1000 VRMS, MIN.

3. MECHANICAL:

A. DURABILITY: 500 CYCLES MIN.  
 B. TEMPERATURE RANGE: -65° C TO +165° C  
 C. RECOMMENDED TORQUE METHOD: HAND TORQUE ONLY

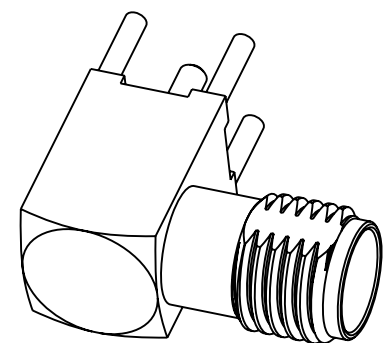
4. PACKAGING

A. QUANTITY: SINGLE PACK  
 B. BAG TO BE MARKED: AMPHENOL RF  
 132225  
 YYWW

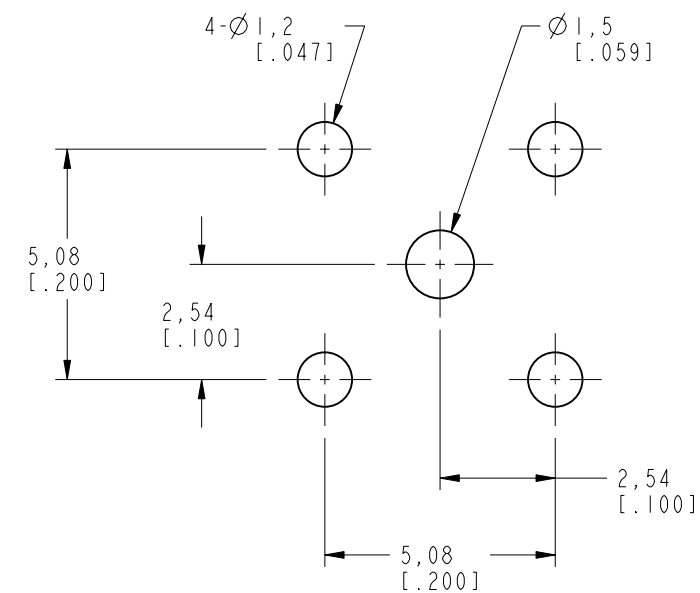
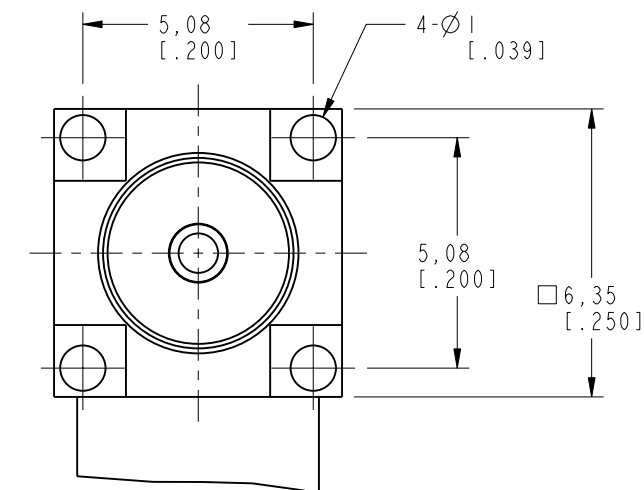
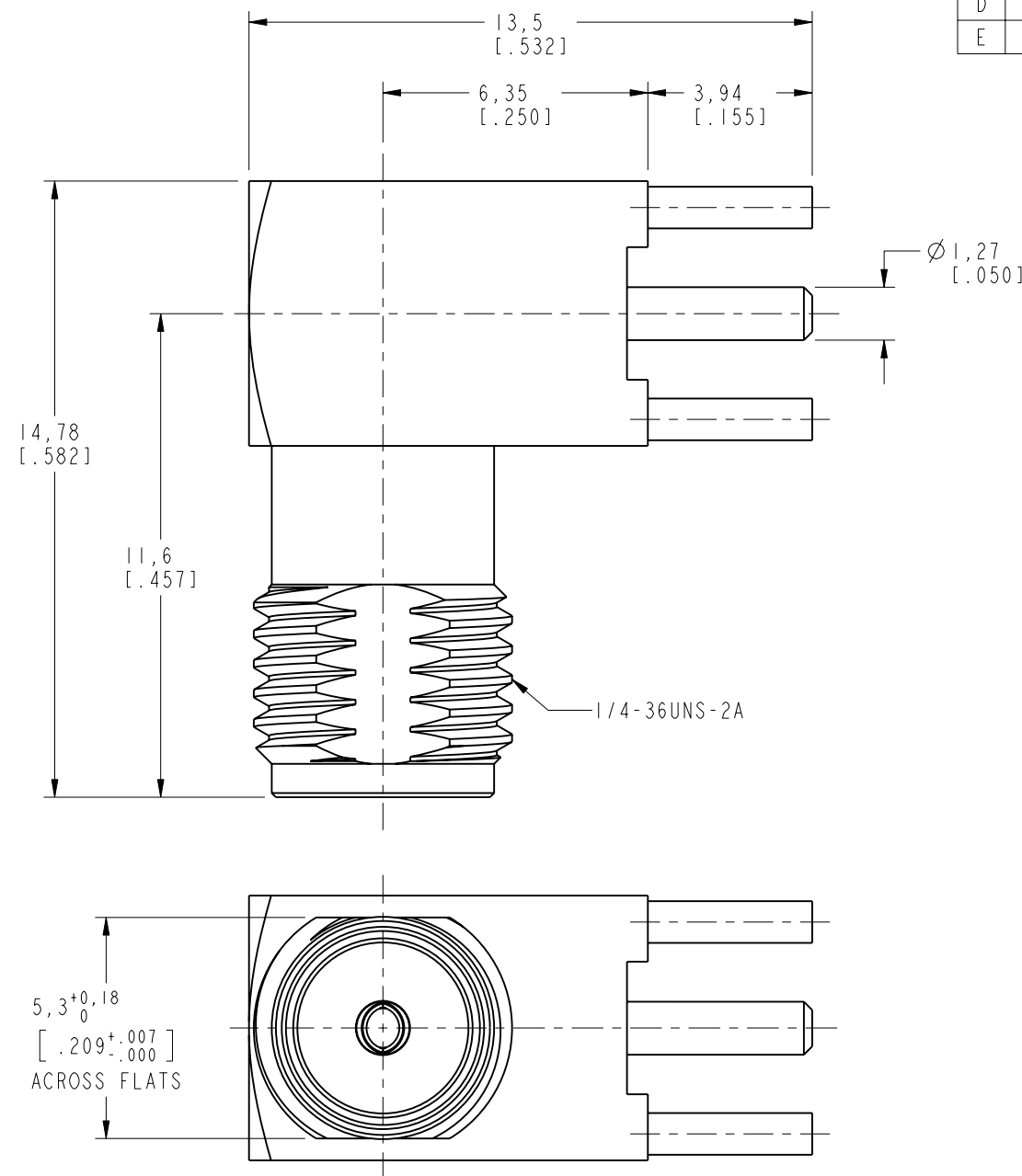
THIRD ANGLE PROJ.

REVISIONS

REV	DESCRIPTION	DATE	ECO	APPR
NC	INITIAL RELEASE	01/27/00	-----	GRS
A	UPDATE DRAWING FORMAT	04/30/03	-----	GRS
B	ADD NOTES	01/12/12	2271	MZ
C	ADD NOTES	08/20/12	2358	MZ
D	REDRAWN IN PRO/E, SYNCH DWGS	10-Jul-14	50102	RM
E	THE BODY WAS CHANGED\RD-DMI5111101M	19-Nov-15	50804	SH



SCALE 3.000



PCB MOUNTING HOLE

**CUSTOMER OUTLINE DRAWING**

ALL OTHER SHEETS ARE FOR INTERNAL USE ONLY

UNLESS OTHERWISE SPECIFIED, DIMENSIONS ARE IN METRIC AND TOLERANCES ARE: <0.5mm ±0.05mm    0.5 - 6mm ±0.1mm    6 - 30mm ±0.2mm    30 - 120mm ±0.3mm    ANGLES ±1°	MATERIAL	DRAWN	DATE	TITLE SMA R/A P.C. MOUNT JACK	Amphenol RF www.amphenolrf.com
	-	M. ZHANG	19-Nov-15		
NOTICE - These drawings, specifications, or other data (1) are, and remain the property of Amphenol corp. (2) must be returned upon request; and (3) are confidential and not to be disclosed to any person other than those to whom they are given by Amphenol Corp. the furnishing of these drawings, specifications, or other data by Amphenol Corp., or to any other person to anyone for any purpose is not to be regarded by implication or otherwise in any manner licensing, granting rights to permitting such holder or any other person to manufacture, use or sell any product, process or design, patented or otherwise, that may in any way be related to or disclosed by said drawings, specifications, or other data.	REFERENCE AND CONFIGURATION LEVEL: In Work	ENGINEER	DATE	SCALE: 6.0:1.0	SHEET 3 OF 3
	FINISH	S. HSIEH	19-Nov-15	DWG SIZE	REV
				B	E
					DRAWING NO. SMA6252D1-3GT5GP-50 ITEM NO. 116252AAL66FR5F PART NO. 132225