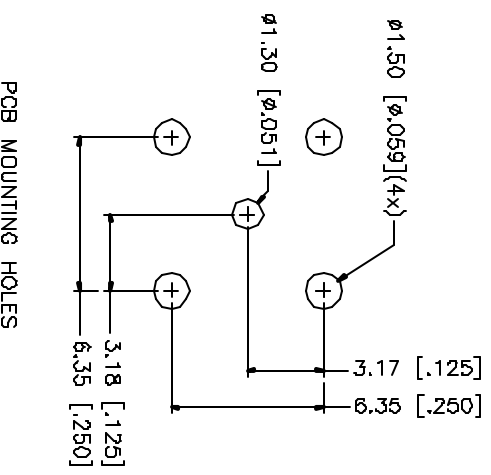
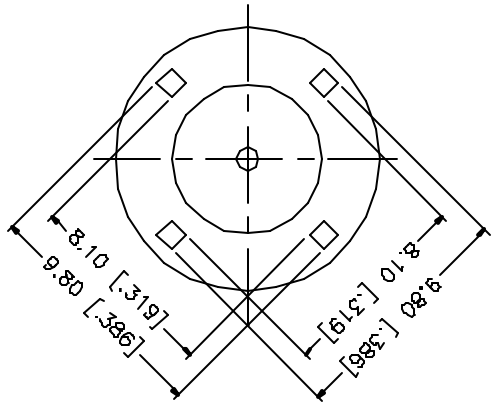
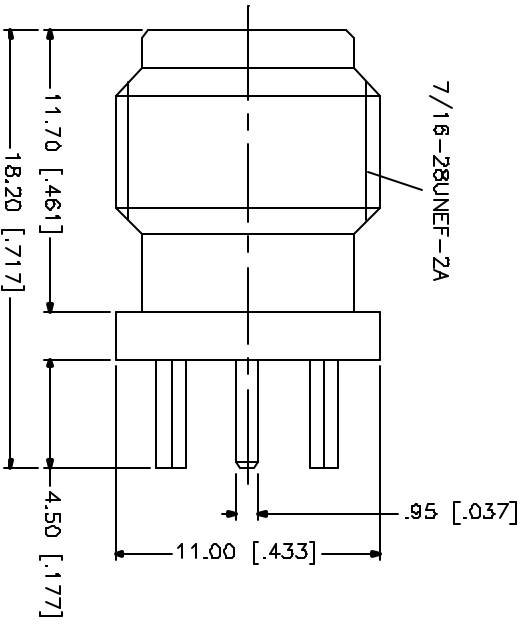


REV.	DATE	DESCRIPTION
A	03/18/05	UPDATE DRAWING FORMAT



8																					
7																					
6																					
5																					
4																					
3	CONTACT PIN	PHOS. BRONZE																			
2	INSULATOR	TEFLON																			
1	BODY	BRASS																			
	DESCRIPTION	MATERIAL	FINISH	QTY																	

Amphenol Connex

TNC P.C. MOUNT RECEPT. JACK - 50ohm

PART NO. 122440
 DWG. NO. 122440.DWG
 REV. A
 SIZE A
 SCALE NA

UNLESS OTHERWISE SPECIFIED DIMENSIONS ARE IN MILLIMETERS (DIMENSIONS IN [] ARE IN INCHES AND ARE FOR CUSTOMER REFERENCE ONLY.)
 UNLESS OTHERWISE SPECIFIED TOLERANCES FOR MILLIMETERS ARE:
 0.5 - 3.0mm ± 0.20mm
 3.0 - 12.0mm ± 0.50mm
 UNLESS OTHERWISE SPECIFIED TOLERANCES FOR INCHES ARE:
 .020 - .315 ± 0.010"
 .315 - 1.180 ± 0.011"
 1.180 - 4.724 ± 0.020"
 DD NOT SCALE DRAWING

APPROVALS	DATE
DRAWN G.R.S.	03/18/05
CHECKED	
DESIGNED	
SHEET 1 OF 1	

DWG FILE C:/122/122440.DWG