

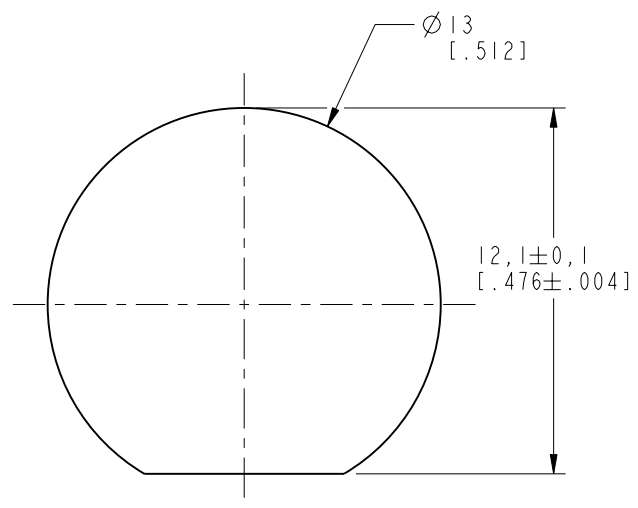
NOTES:

1. MATERIALS AND FINISHES:
 FERRULE - BRASS, NICKEL PLATING
 HEX NUT - BRASS, NICKEL PLATING
 LOCKWASHER - BRASS, NICKEL PLATING
 BODY & BARREL - BRASS, NICKEL PLATING
 CONTACT - PHOSPHOR BRONZE, GOLD PLATING
 INSULATOR - PTFE & DELRIN, NATURAL
2. ELECTRICAL:
 A. IMPEDANCE: 75 OHMS
 B. FREQUENCY RANGE: DC - 2 GHz
 C. DIELECTRIC WITHSTANDING VOLTAGE: 1500 VRMS, MIN.
3. MECHANICAL:
 A. DURABILITY: 500 CYCLES MIN.
 B. TEMPERATURE RANGE: -40°C TO +85°C
4. CRIMPED FERRULE HEX CRIMP SIZE .255"
5. CRIMPED CONTACT PIN HEX CRIMP SIZE .068" OR SOLDER.
6. MAX. PANEL THICKNESS = 4.2 MM
7. THE BNC LUGS ARE ALIGNED WITH THE D-FLAT WITHIN ±5°
8. SHOWS CABLE ENTRY DIMENSIONS.

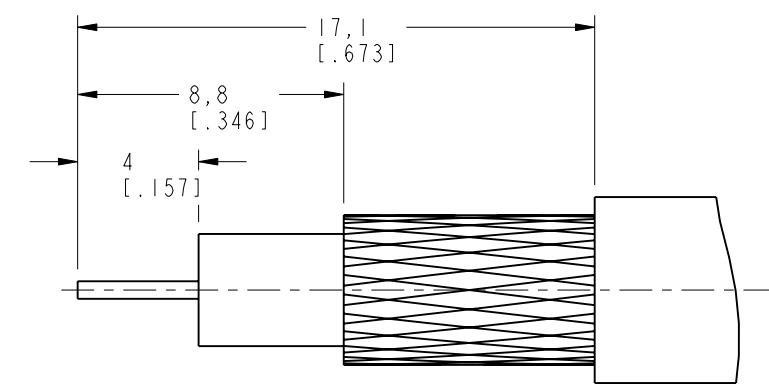
THIRD ANGLE PROJ.

REVISIONS

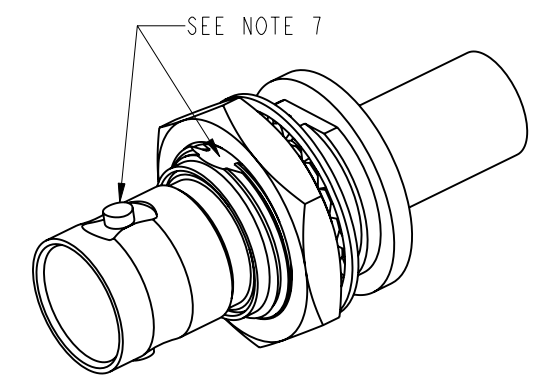
REV	DESCRIPTION	DATE	ECO	APPR
A	RELEASE TO MFG.	13-Aug-03	----	TONY
B	SYNC. REDRAWN IN THE PRO/E	24-May-18	08162	SH



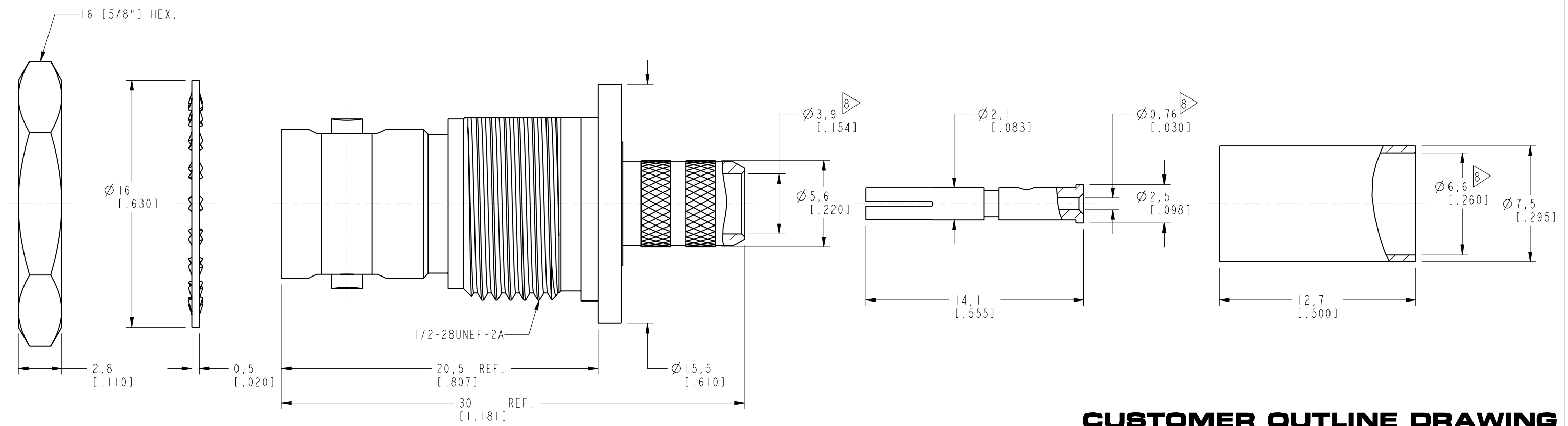
RECOMMENDED MOUNTING HOLE



RECOMMENDED CABLE STRIPPING DIM'S



SCALE 2.000



CUSTOMER OUTLINE DRAWING
 ALL OTHER SHEETS ARE FOR INTERNAL USE ONLY

UNLESS OTHERWISE SPECIFIED, DIMENSIONS ARE IN METRIC AND TOLERANCES ARE: < 0.5mm ± 0.05mm 0.5 - 6mm ± 0.1mm 6 - 30mm ± 0.2mm 30 - 120mm ± 0.3mm ANGLES ± 1° NOTICE - These drawings, specifications, or other data (1) are, and remain the property of Amphenol corp. (2) must be returned upon request; and (3) are confidential and not to be disclosed to any person other than those to whom they are given by Amphenol Corp. the furnishing of these drawings, specifications, or other data by Amphenol Corp., or to any other person to anyone for any purpose is not to be regarded by implication or otherwise in any manner licensing, granting rights to permitting such holder or any other person to manufacture, use or sell any product, process or design, patented or otherwise, that may in any way be related to or disclosed by said drawings, specifications, or other data.	MATERIAL	DRAWN M. ZHANG	DATE 24-May-18	TITLE BNC BULKHEAD CRIMP JACK ISOLATED GROUND (FOR RG-59/U CABLE) SCALE: 4.0:1.0 SHEET 2 OF 2	Amphenol RF www.amphenolrf.com
	REFERENCE AND CONFIGURATION LEVEL: In Work	ENGINEER N. CAO	DATE 13-Aug-03		
	FINISH	APPROVED S. HSIEH	DATE 24-May-18	ITEM NO. 016721AAA59NA7F	
			CAD FILE	DWG SIZE B	REV B