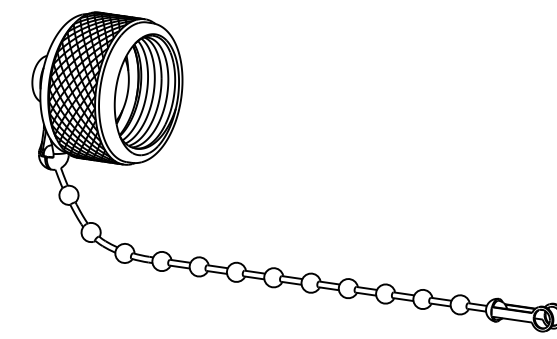


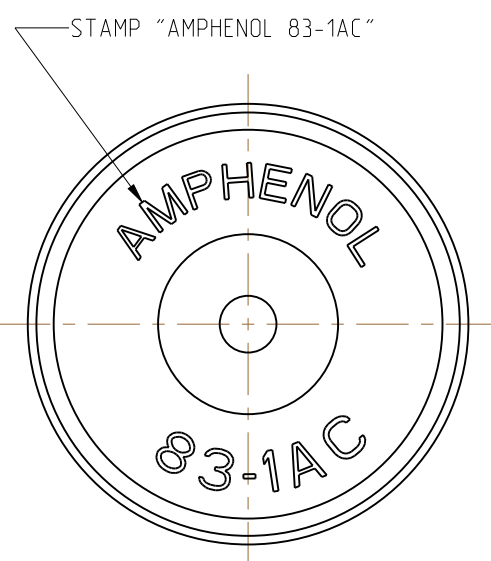
NOTES:

1. MATERIALS AND FINISHES:
 CAP, RIVET, CHAIN & COUPLING - BRASS, NICKEL PLATING
 WASHER - 30-4345 BUNA "S", NATURAL
2. PACKAGING:
 A. QUANTITY: SINGLE PACK
 B. MARKING: PACKING TO BE MARKED
 "AMPHENOL RF, 83-1AC AND DATE CODE"

REVISIONS				
REV	DESCRIPTION	DATE	ECN	APPR
--	RELEASE TO MFG.	--	--	--
N	REDRAWN IN CREO AND COD SHEET ADDED	09-SEP-20	15318	CL

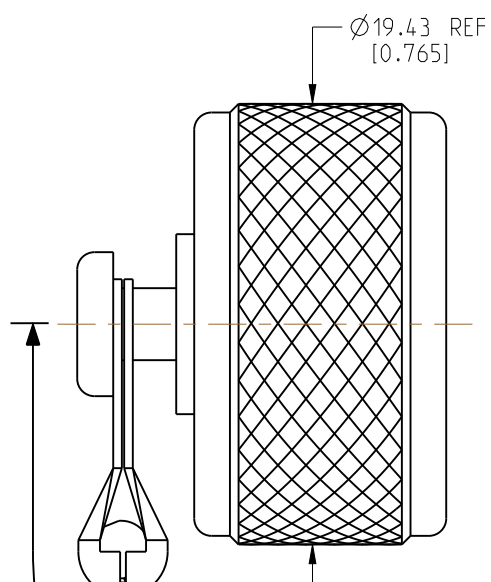


SCALE 1.000

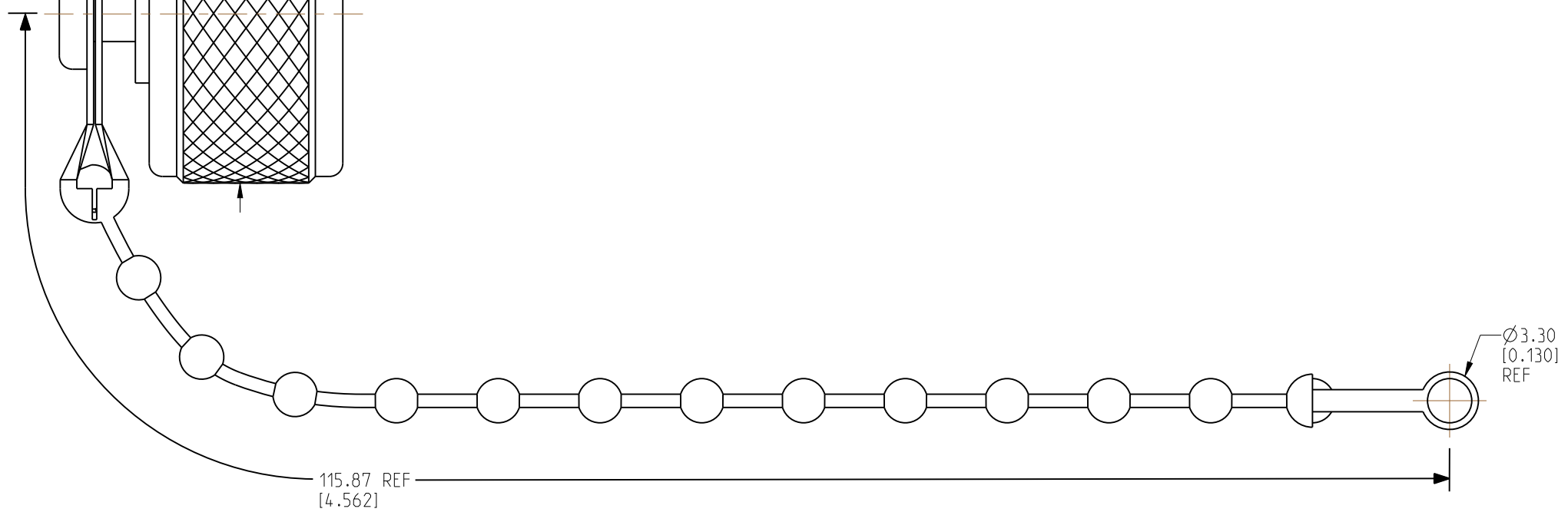


STAMP "AMPHENOL 83-1AC"

**CHAIN, RIVET & COUPLING
NOT SHOWN IN THIS VIEW**



Ø19.43 REF
[0.765]



115.87 REF
[4.562]

Ø3.30
[0.130]
REF

CUSTOMER OUTLINE DRAWING
 ALL OTHER SHEETS ARE FOR INTERNAL USE ONLY

NOTICE: These drawings, specifications, or other data (1) are, and remain the property of Amphenol corp. (2) must be returned upon request; and (3) are confidential and not to be disclosed to any person other than those to whom they are given by Amphenol Corp. The furnishing of these drawings, specifications, or other data by Amphenol Corp., or to any other person to anyone for any purpose is not to be regarded by implication or otherwise in any manner licensing, granting rights to permitting such holder or any other person to manufacture, use or sell any product, process or design, patented or otherwise, that may in any way be related to or disclosed by said drawings, specifications, or other data.

UNLESS OTHERWISE SPECIFIED
 DIMENSIONS ARE METRIC (INCHES) AND TOLERANCES ARE:
 <0.5mm = ±0.05mm [$<0.020 = \pm 0.002$]
 >0.5 - 6mm = ±0.1mm [$>0.020 - 0.236 = \pm 0.004$]
 >6.00 - 30mm = ±0.2mm [$>0.236 - 1.181 = \pm 0.008$]
 >30.00 - 120mm = ±0.3mm [$>1.181 - 4.725 = \pm 0.012$]

MATERIAL
 SEE NOTES

ENGINEER
 O.BARTHELMES

DATE
 21-MAY-20

TITLE
 UHF PLUG
 CAP & CHAIN

SHEET NO. 2 OF 2

SCALE: 3.0:1.0

Amphenol RF		DRAWING NO. 83-1AC	REV N
		ITEM NO. 83-1AC	
		PART NO. 83-1AC	

THIRD ANGLE PROJ.

REFERENCE

EAR#

ANGLES = ±1°