

NOTES:

- MATERIALS AND FINISHES:
 BODY, HOUSING, BODY REAR, LOCK WASHER & HEX NUT - BRASS, NICKEL PLATING
 CONTACT PIN - PHOSPHOR BRONZE, GOLD PLATING
 FERRULE - COPPER, NICKEL PLATING
 GASKET - RUBBER, RED
 INSULATOR - DELRIN, NATURAL
- ELECTRICAL:
 A. IMPEDANCE: 50 OHM
 B. FREQUENCY RANGE: DC-4 GHz
 C. DIELECTRIC WITHSTANDING VOLTAGE: 1500 VRMS, MIN.
- MECHANICAL:
 A. DURABILITY: 500 CYCLES MIN.
 B. TEMPERATURE RANGE: -40° C TO +85° C

- PACKAGING:
 A. QUANTITY: SINGLE PACK
 B. MARKING: BAG TO BE MARKED "AMPHENOL RF, 31-342-RFX, AND DATE CODE"
- CABLE ASSEMBLY INSTRUCTIONS:
 A. TRIM CABLE AS SHOWN.
 B. INSERT CABLE CENTER CONDUCTOR TO CONTACT AND CRIMP IT WITH .068" HEX DIE.
 C. INSERT CABLE INTO CONNECTOR WITH BRAID OVER KNURL UNTIL IT BOTTOMS.
 D. CRIMP FERRULE WITH 0.213" HEX DIE.

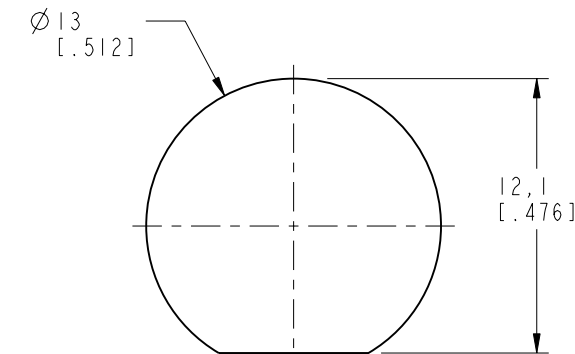
6 SHOWS CABLE ENTRY DIMENSIONS.

7. MAX. PANEL THICKNESS=3.5MM

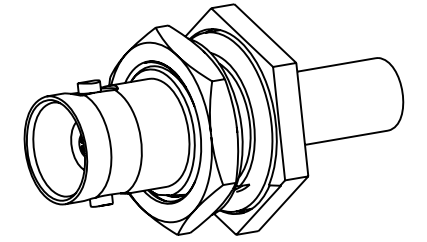
THIRD ANGLE PROJ.

REVISIONS

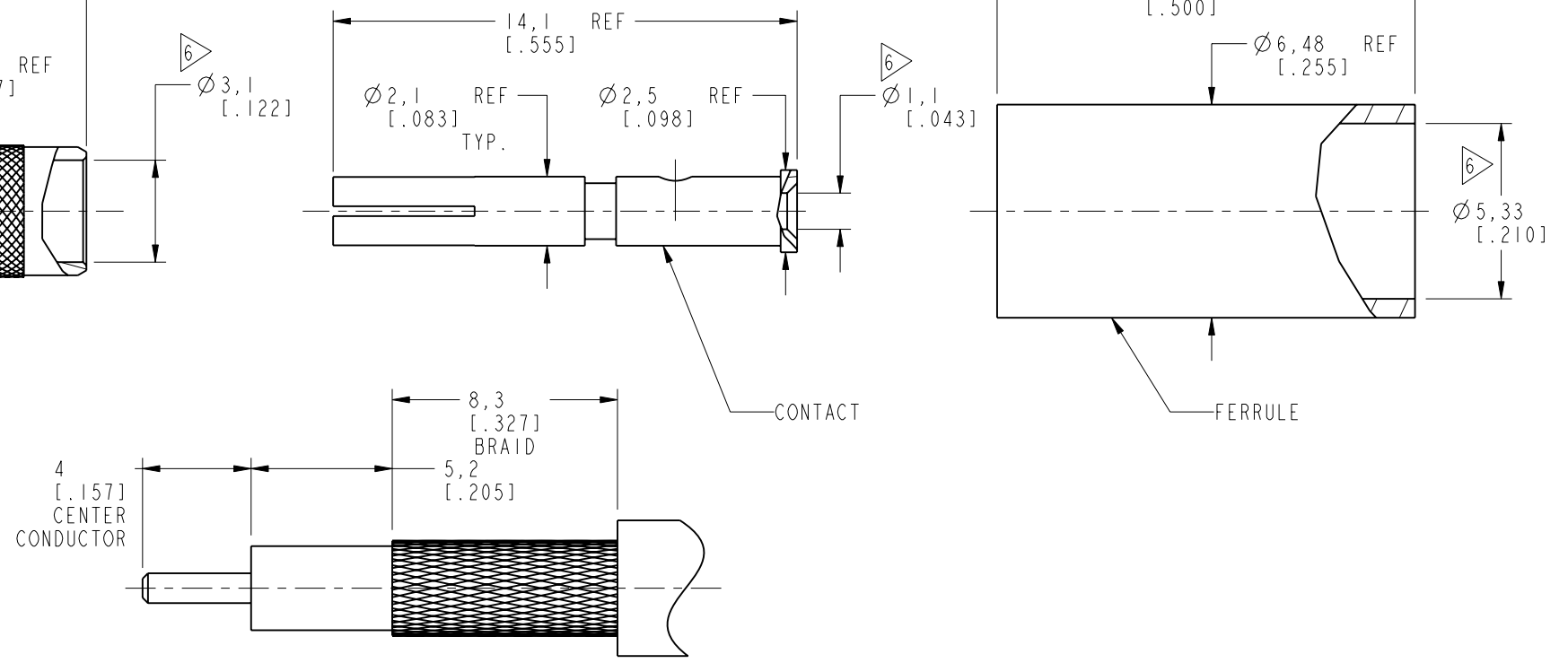
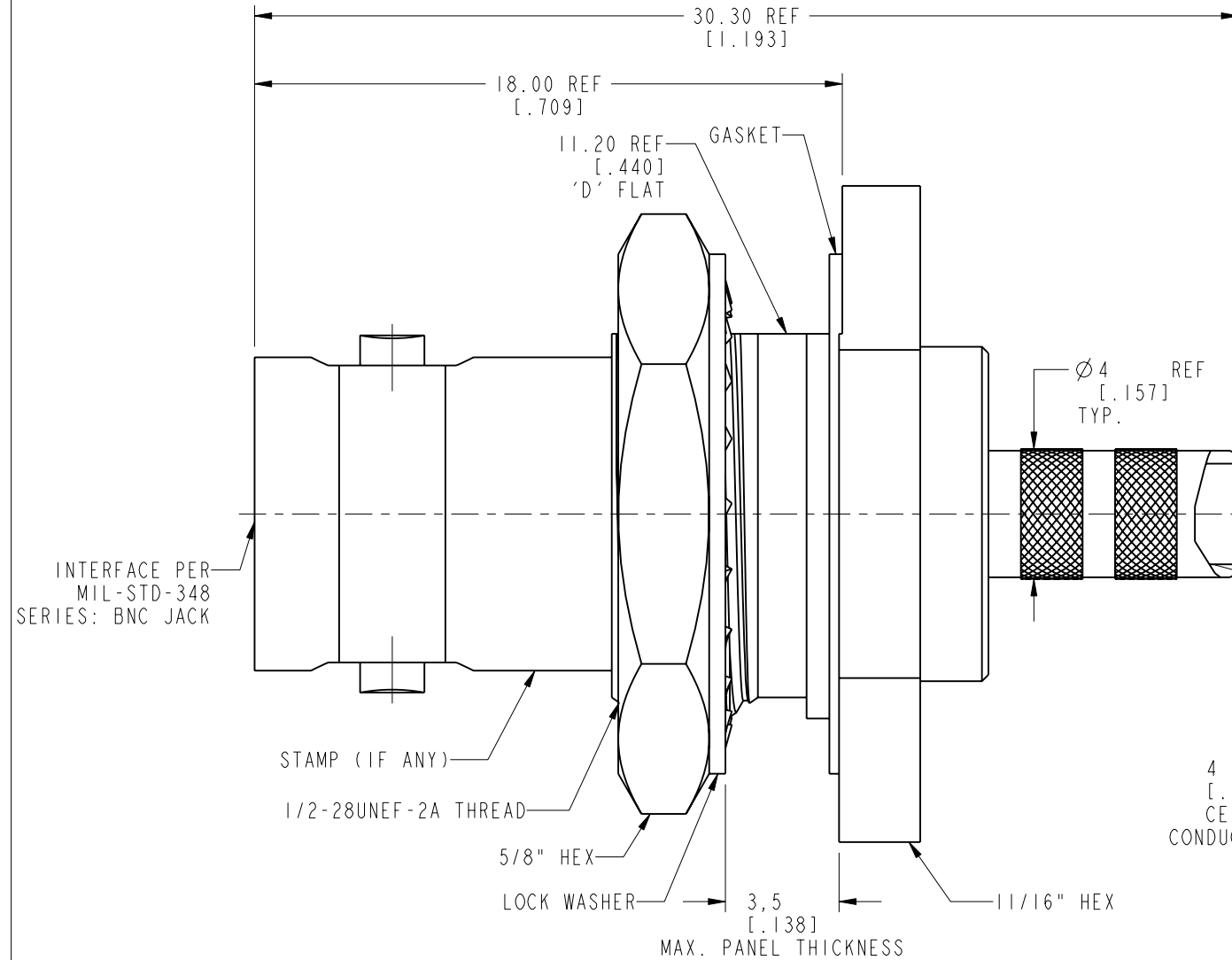
REV	DESCRIPTION	DATE	ECO	APPR
--	RELEASE TO MFG	--	--	--
C	NO.3 WAS CHANGED \RD-DM91110401W	11-04-02'	--	ANGELA
D	REDRAWN IN PRO-E AND COD SHEET ADDED	24-Feb-15	50290	N.R



RECOMMENDED MOUNTING HOLE DIMENSIONS



SCALE 1.500



RECOMMENDED CABLE STRIPPING DIMENSIONS

CUSTOMER OUTLINE DRAWING

ALL OTHER SHEETS ARE FOR INTERNAL USE ONLY

UNLESS OTHERWISE SPECIFIED, DIMENSIONS ARE IN METRIC AND TOLERANCES ARE:
 <0.5mm ±0.05mm 0.5 - 6mm ±0.1mm 6 - 30mm ±0.2mm 30 - 120mm ±0.3mm ANGLES ±1°

NOTICE - These drawings, specifications, or other data (1) are, and remain the property of Amphenol corp. (2) must be returned upon request; and (3) are confidential and not to be disclosed to any person other than those to whom they are given by Amphenol Corp. the furnishing of these drawings, specifications, or other data by Amphenol Corp., or to any other person to anyone for any purpose is not to be regarded by implication or otherwise in any manner licensing, granting rights to permitting such holder or any other person to manufacture, use or sell any product, process or design, patented or otherwise, that may in any way be related to or disclosed by said drawings, specifications, or other data.

MATERIAL SEE NOTES	DRAWN J.CHEN	DATE 24-Feb-15	TITLE 50 OHM BNC STR BHD CRIMP JACK FOR RG-58, 141 & 142A CABLE	Amphenol RF www.amphenolrf.com
REFERENCE EAR # 962370	ENGINEER D.ROYCE	DATE 13-Sep-91	SCALE: 4.9:1.0 SHEET 2 OF 2	
CONFIGURATION LEVEL: In Work	APPROVED S.HSIEH	DATE 02-Mar-15	DWG SIZE B	DRAWING NO. B6421B1-ND3G-142AU-50
FINISH	CAD FILE	REV D		ITEM NO. 016421AAA02ND5F
				PART NO. 31-342-RFX