

NOTES:

1. MATERIALS AND FINISHES:

- BODY, COUPLING NUT, & CLAMP COMPONENTS - BRASS - NICKEL PLATED
- CONTACT - BRASS - GOLD PLATED (.000050 MIN.)
- INSULATOR - PTFE
- GASKETS - SILICONE RUBBER

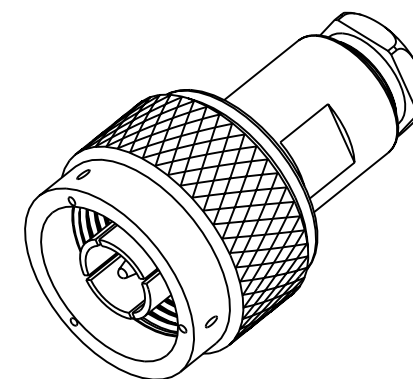
2. PHYSICAL:

- A. OPERATING TEMPERATURE = -65°C to +165°C
- B. INTERFACE = PER MIL-STD-348, TYPE N SERIES
- C. DURABILITY = 500 MATING CYCLES MINIMUM

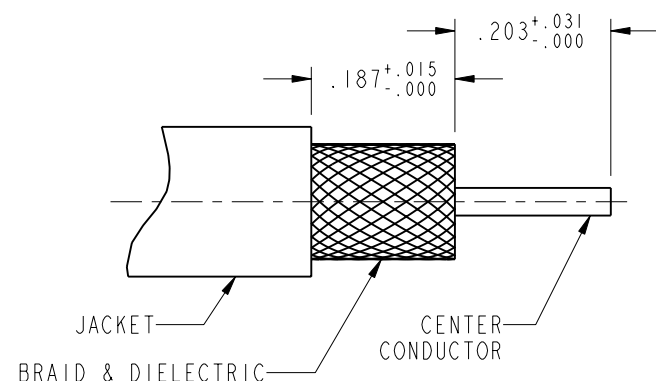
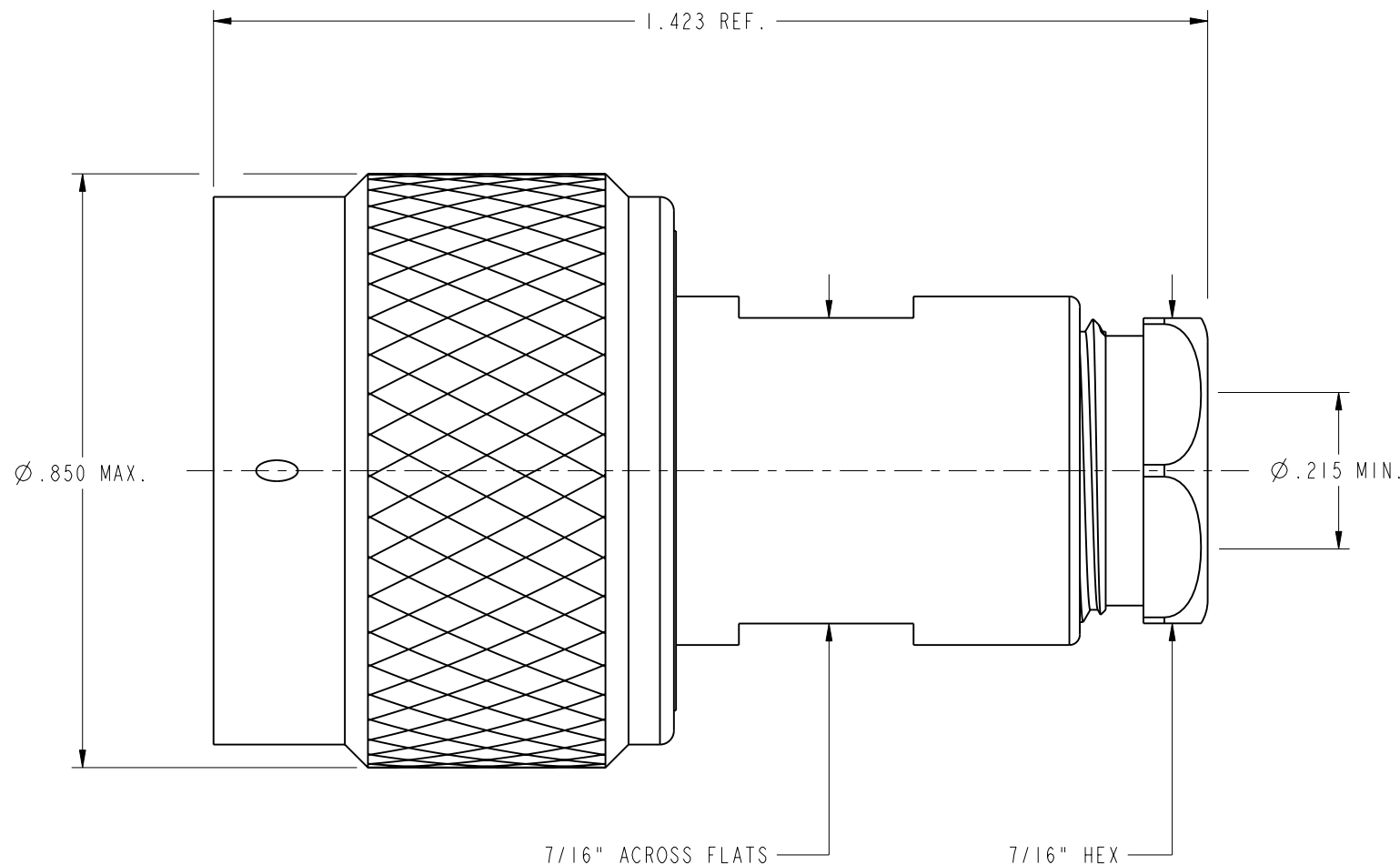
3. ELECTRICAL:

- A. FREQUENCY RANGE = DC TO 11.0 GHz
- B. VSWR = 1.300 MAX.
- C. INSERTION LOSS = 0.15 dB MAX. @ 10 GHz

34025-536C		REVISIONS			
DRAWING NO.	REV	DESCRIPTION	DATE	ECO	APPR
THIRD ANGLE PROJ.	A	RELEASE TO MFG.	8/15/02	44158	BCG



SCALE 1.500



RECOMMENDED CABLE STRIPPING DIMENSIONS  
SCALE 4.000

**CUSTOMER OUTLINE DRAWING**

ALL OTHER SHEETS ARE FOR INTERNAL USE ONLY

UNLESS OTHERWISE SPECIFIED, DIMENSIONS ARE IN INCHES AND TOLERANCES ARE: 2 PLACE DECIMAL ±.015 (0,381 mm) 3 PLACE DECIMAL ±.005 (0,127 mm) ANGLES ± 1°	MATERIAL	DRAWN B.C. GLEISSNER	DATE 09-Aug-02	TITLE TYPE N PLUG, CLAMP TYPE (UG-536C/U)		Amphenol Amphenol Corporation Communication and Network Products Division Danbury, CT U.S.A. 06810	
	REFERENCE SIMILAR TO: 34025-1006	ENGINEER B.C. GLEISSNER	DATE 09-Aug-02				
NOTICE - These drawings, specifications, or other data (1) are, and remain the property of Amphenol Corp. (2) must be returned upon request; and (3) are confidential and not to be disclosed to any person other than those to whom they are given by Amphenol Corp. The furnishing of these drawings, specifications, or other data by Amphenol Corp., or to any other person to anyone for any purpose is not to be regarded by implication or otherwise in any manner licensing, granting rights or permitting such holder or any other person to manufacture, use or sell any product, process or design, patented or otherwise, that may in any way be related to or disclosed by said drawings, specifications, or other data.	EAR# 698 GEN# ASSYM64_N	APPROVED OWEN BARTHELMES	DATE 8/14/02	CODE ID 74868	DWG SIZE B	DRAWING NO. 34025-536C	REV A
					SCALE: 4.0:1 SHEET 2 OF 2		