

# TK 97 – Polystyrene and Polycarbonate – 94 x 65 mm (3.70 x 2.56 in.)

## Standard Features

- **Protection Level:** IP66 (NEMA Type: 4X and 12/12K)
- **Technical:** Smooth or Knockout Sidewalls  
Gray or Tinted Transparent Cover  
Multiple Enclosure Mounting Options
- **UL Recognized**
  - **Enclosure Materials:** Polystyrene or Polycarbonate
  - **Gasket Material:** Polyurethane
  - **Color:** Light Gray
  - **Material**
    - **Temperature Range:** Polystyrene  
-40°C to 70°C (-40°F to 158°F)  
Polycarbonate  
-40°C to 120°C (-40°F to 248°F)
- **Accessories:** See section below



### Smooth Sidewalls

			Polystyrene				Polycarbonate			
Ordering Information	Height mm (in)	Cat. No.	Type	Cover Color	Std. Pk.	Cat. No.	Type	Cover Color	Std. Pk.	
☐ Enclosure - low cover	57 mm (2.24 in)	110-402	PS 97-6-o	gray	5	120-402	PC 97-6-o	gray	5	
☐ Enclosure - high cover	81 mm (3.19 in)	110-902	PS 97-8-o	gray	5	120-902	PC 97-8-o	gray	5	
☐ Enclosure - low cover	57 mm (2.24 in)	111-002	PS 97-6-to	trans.	5	130-002	PC 97-6-to	trans.	5	
☐ Enclosure - high cover	81 mm (3.19 in)	111-502	PS 97-8-to	trans.	5	130-502	PC 97-8-to	trans.	5	

### Sidewalls with Metric Knockouts

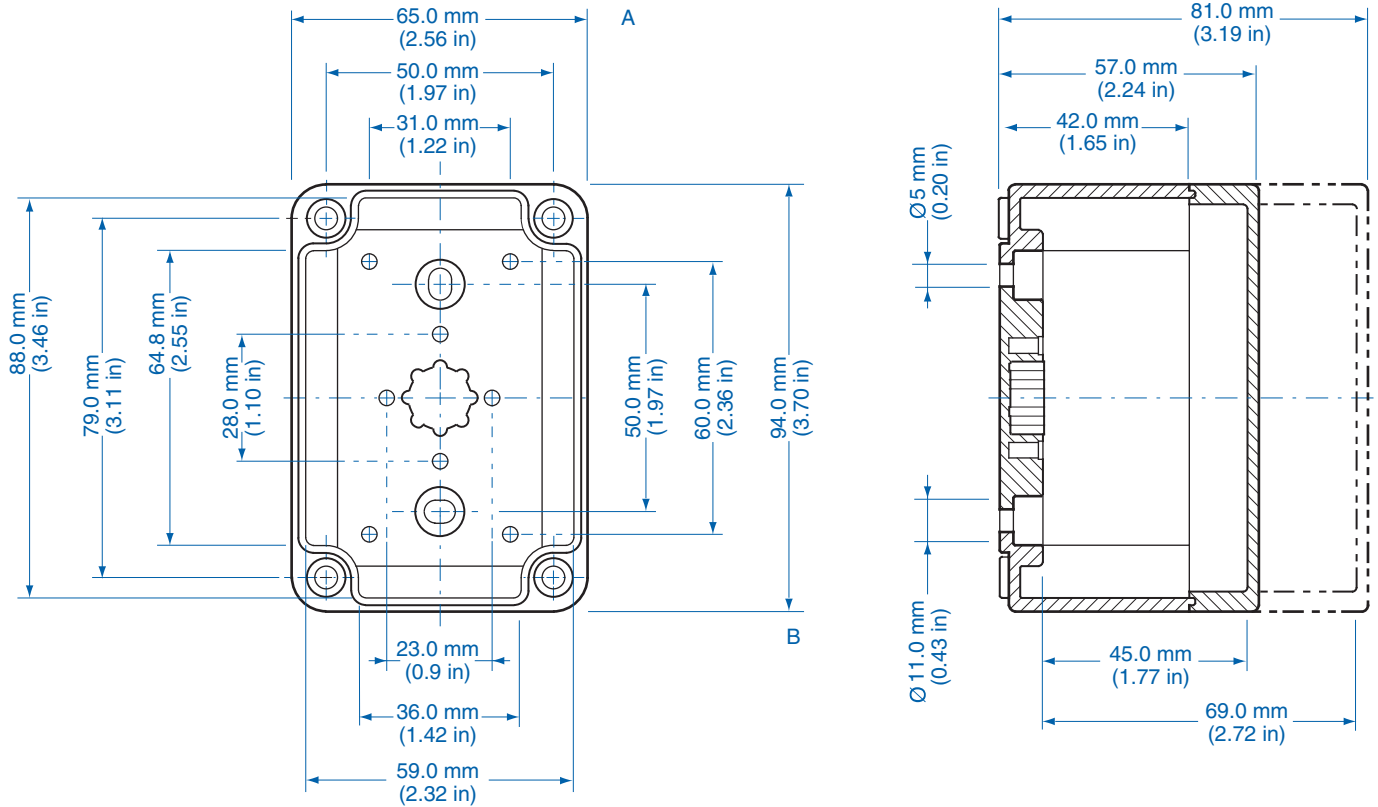
			Polystyrene				Polycarbonate			
Ordering Information	Height mm (in)	Cat. No.	Type	Cover Color	Std. Pk.	Cat. No.	Type	Cover Color	Std. Pk.	
☐ Enclosure - low cover	57 mm (2.24 in)	105-402	PS 97-6-m	gray	5	127-402	PC 97-6-m	gray	5	
☐ Enclosure - high cover	81 mm (3.19 in)	105-902	PS 97-8-m	gray	5	127-902	PC 97-8-m	gray	5	
☐ Enclosure - low cover	57 mm (2.24 in)	106-002	PS 97-6-tm	trans.	5	137-002	PC 97-6-tm	trans.	5	
☐ Enclosure - high cover	81 mm (3.19 in)	106-502	PS 97-8-tm	trans.	5	137-502	PC 97-8-tm	trans.	5	

### Accessories

Ordering Information	Cat. No.	Type	Std. Pk.
Mounting Plate (plastic)	195-002	TKMPI-97	1
Mounting Plate (steel)	197-002	TKMPS-97	1
DIN Rail TS15-80mm	197-080	TS 15/80	1
Hinge Kit Set	190-002	HK1	1
Mounting Tab Kit	194-001	MT1	1

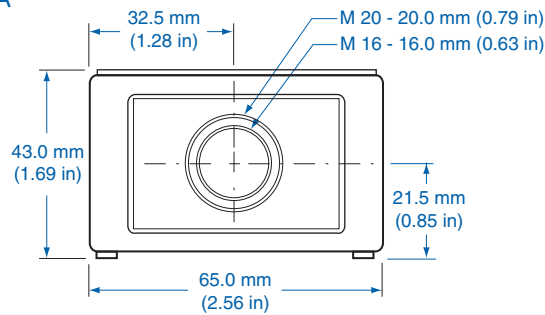
Please refer to pages 149-152 for additional accessories and detailed information.

Dimensions



Knockout Positions

Side A



Side B

