

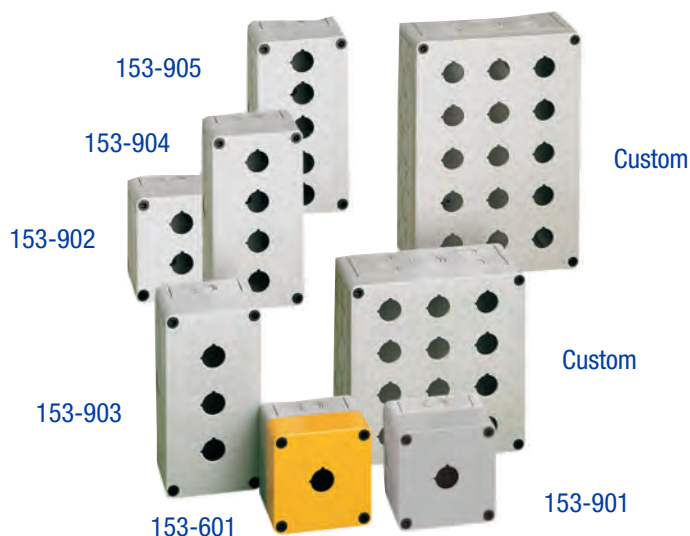
22mm Polycarbonate Enclosures

Polycarbonate Enclosures

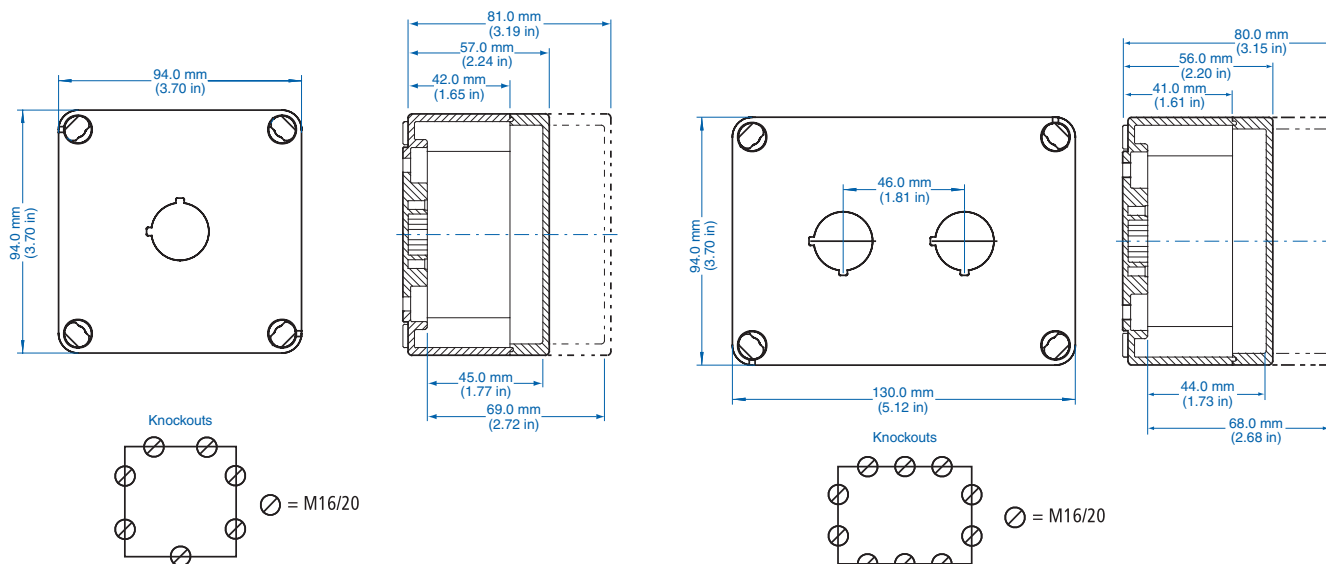
Standard Features

- Protection Level: IP66* (Nema 4x)
- Technical: M16/20 Knockout Sidewalls
22.5 mm Diameter Push Button Holes
- Enclosure Material: Polycarbonate
- Temperature Range: -35°C to 120°C (-31°F to 248°F)
- Gasket Material: Polyurethane
- Color: Light Gray
- Accessories: See section below

*IP66 when suitable installation devices are used.



Ordering Information	Dimensions mm (in)			Std. Pk.
	Cat. No.	Length	Width	
One hole enclosure	153-901	94 mm (3.70 in)	94 mm (3.70 in)	1
One hole enclosure (Yellow cover)	153-601	94 mm (3.70 in)	94 mm (3.70 in)	1
Two hole enclosure	153-902	130 mm (5.12 in)	94 mm (3.70 in)	1
Three hole enclosure	153-903	180 mm (7.09 in)	94 mm (3.70 in)	1
Four hole enclosure	153-904	180 mm (7.09 in)	94 mm (3.70 in)	1
Five hole enclosure	153-905	180 mm (7.09 in)	94 mm (3.70 in)	1
One hole enclosure	153-901/L	94 mm (3.70 in)	94 mm (3.70 in)	1
One hole enclosure (Yellow cover)	153-601/L	94 mm (3.70 in)	94 mm (3.70 in)	1
Two hole enclosure	153-902/L	130 mm (5.12 in)	94 mm (3.70 in)	1
Three hole enclosure	153-903/L	180 mm (7.09 in)	94 mm (3.70 in)	1
Four hole enclosure	153-904/L	180 mm (7.09 in)	94 mm (3.70 in)	1
Five hole enclosure	153-905/L	180 mm (7.09 in)	94 mm (3.70 in)	1
One hole enclosure (extra space)	153-902/1H	130 mm (5.12 in)	94 mm (3.70 in)	1
5308 959	M20 Cord Grip, 5-12mm Cable Dia., Lt Gray			1
7211 981	M20 Locknut, Lt. Gray, PA			1
5308 949	M20 Cord Grip, 5-12mm Cable Dia., Black			1
7211 976	M20 Locknut, Black, PA			1



All dimensions shown in millimeters.
To convert to inches multiply by 0.03937