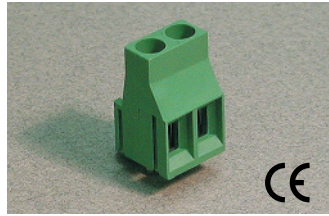




Pin Spacing: 7.62mm  
 Orientation: Vertical  
 Clamp Type: Screw Cage  
 Design: Modular



**MV-47xx**

**ELECTRICAL**

|   | Current          | Voltage | Wire Range  |
|---|------------------|---------|---|
|  | 20A <sup>①</sup> | 300V    | 30-12AWG  |
|  | 25A              | 750V    | 4.0mm <sup>2</sup> Stranded<br>6.0mm <sup>2</sup> Solid |

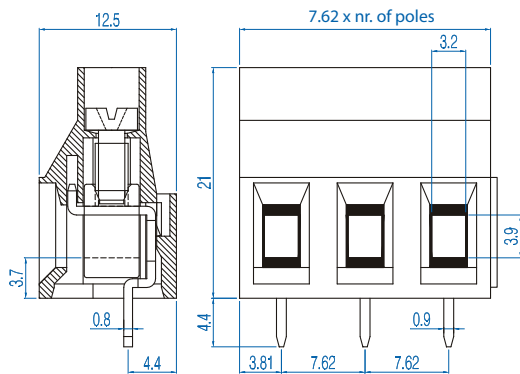
**INSTALLATION DATA**

|                   |                        |                        |       |
|-------------------|------------------------|------------------------|-------|
| <b>Screw Size</b> | M3                     | <b>PCB Hole Size</b>   | 1.3mm |
| <b>Torque</b>     | 0.5Nm<br>(4.5 lbf-in.) | <b>Stripping Lgth.</b> | 9.8mm |

**MATERIAL**

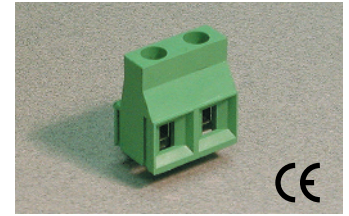
|                           |                       |                 |                  |
|---------------------------|-----------------------|-----------------|------------------|
| <b>Body</b>               | Polyamide             | <b>Screw</b>    | Galvanized Steel |
| <b>Flammability Class</b> | UL94V-0               | <b>Terminal</b> | Tin-Plated Brass |
| <b>Temperature Limit</b>  | 105°C UL<br>125°C IEC | <b>Clamp</b>    | Nickel Brass     |
| <b>Color</b>              | Green                 |                 |                  |

| No. Poles | Cat. #  | Length (mm) | Std. Pk. |
|-----------|---------|-------------|----------|
| 2         | MV-472  | 15.2        | 100      |
| 3         | MV-473  | 22.9        | 100      |
| 4         | MV-474  | 30.5        | 50       |
| 5         | MV-475  | 38.1        | 50       |
| 6         | MV-476  | 45.7        | 50       |
| 7         | MV-477  | 53.3        | 50       |
| 8         | MV-478  | 61.0        | 50       |
| 9         | MV-479  | 68.6        | 50       |
| 10        | MV-4710 | 76.2        | 50       |
| 11        | MV-4711 | 83.8        | 50       |
| 12        | MV-4712 | 91.4        | 50       |
| 13        | MV-4713 | 99.1        | 20       |
| 14        | MV-4714 | 106.7       | 20       |
| 15        | MV-4715 | 114.3       | 20       |
| 16        | MV-4716 | 121.9       | 20       |





① 25A Factory Wiring - UL

Pin Spacing: 9.52mm/ 19.04mm\*  
 Orientation: Vertical  
 Clamp Type: Screw Cage  
 Design: Modular



**MV-49xx**

**ELECTRICAL**

|   | Current          | Voltage | Wire Range  |
|---|------------------|---------|---|
|  | 20A <sup>②</sup> | 300V    | 30-12AWG  |
|  | 25A              | 750V    | 4.0mm <sup>2</sup> Stranded<br>6.0mm <sup>2</sup> Solid |

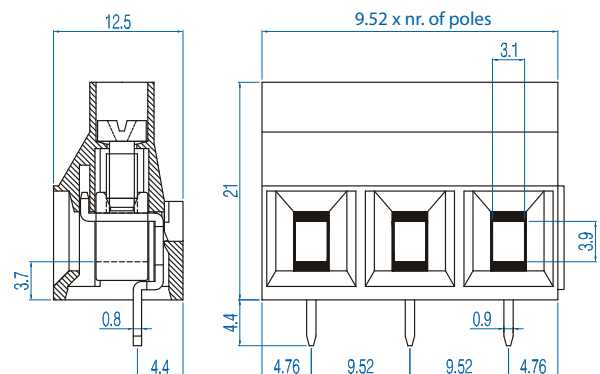
**INSTALLATION DATA**

|                   |                        |                        |       |
|-------------------|------------------------|------------------------|-------|
| <b>Screw Size</b> | M3                     | <b>PCB Hole Size</b>   | 1.3mm |
| <b>Torque</b>     | 0.5Nm<br>(4.5 lbf-in.) | <b>Stripping Lgth.</b> | 9.8mm |

**MATERIAL**

|                           |                       |                 |                  |
|---------------------------|-----------------------|-----------------|------------------|
| <b>Body</b>               | Polyamide             | <b>Screw</b>    | Galvanized Steel |
| <b>Flammability Class</b> | UL94V-0               | <b>Terminal</b> | Tin-Plated Brass |
| <b>Temperature Limit</b>  | 105°C UL<br>125°C IEC | <b>Clamp</b>    | Nickel Brass     |
| <b>Color</b>              | Green                 |                 |                  |

| No. Poles | Cat. #  | Length (mm) | Std. Pk. |
|-----------|---------|-------------|----------|
| 2         | MV-492  | 19.0        | 100      |
| 3         | MV-493  | 28.6        | 100      |
| 4         | MV-494  | 38.1        | 50       |
| 5         | MV-495  | 47.6        | 50       |
| 6         | MV-496  | 57.1        | 50       |
| 7         | MV-497  | 66.6        | 50       |
| 8         | MV-498  | 76.2        | 50       |
| 9         | MV-499  | 85.7        | 50       |
| 10        | MV-4910 | 95.2        | 50       |
| 11        | MV-4911 | 104.7       | 50       |
| 12        | MV-4912 | 114.2       | 50       |
| 13        | MV-4913 | 123.8       | 20       |
| 14        | MV-4914 | 133.3       | 20       |
| 15        | MV-4915 | 142.8       | 20       |
| 16        | MV-4916 | 152.3       | 20       |



② 25A Factory Wiring - UL

\*19.04mm pin spacing available