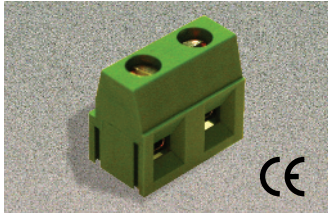


# 3.50mm Pin Spacing – Fixed PCB Blocks

Pin Spacing: 3.50mm  
 Orientation: Vertical  
 Clamp Type: Screw Cage  
 Design: Modular



**MVS-13xx(3.50)**

**ELECTRICAL**

|  | Current          | Voltage | Wire Range  |
|--|------------------|---------|---|
|  | 10A <sup>①</sup> | 300V    | 30-16 AWG   |
|  | 12A              | 130V    | 1.0mm <sup>2</sup> stranded<br>1.5mm <sup>2</sup> solid |

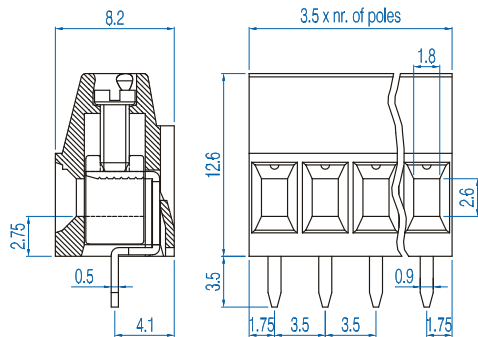
**INSTALLATION DATA**

| Screw Size | M2                    | PCB Hole Size   | 1.1mm |
|------------|-----------------------|-----------------|-------|
| Torque     | 0.25Nm<br>(2.2lbf-in) | Stripping Lgth. | 6.7mm |

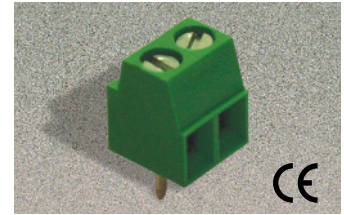
**MATERIAL**

|                           |                       |                 |                  |
|---------------------------|-----------------------|-----------------|------------------|
| <b>Body</b>               | Polyamide             | <b>Screw</b>    | Galvanized Steel |
| <b>Flammability Class</b> | UL94V-0               | <b>Terminal</b> | Tin-Plated Brass |
| <b>Temperature Limit</b>  | 105°C UL<br>125°C IEC | <b>Clamp</b>    | Nickeled Brass   |
| <b>Color</b>              | Green                 |                 |                  |

| No. Poles | Cat. #         | Length (mm) | Std. Pk. |
|-----------|----------------|-------------|----------|
| 2         | MVS-132(3.50)  | 7.0         | 100      |
| 3         | MVS-133(3.50)  | 10.5        | 100      |
| 4         | MVS-134(3.50)  | 14.0        | 50       |
| 5         | MVS-135(3.50)  | 17.5        | 50       |
| 6         | MVS-136(3.50)  | 21.0        | 50       |
| 7         | MVS-137(3.50)  | 24.5        | 50       |
| 8         | MVS-138(3.50)  | 28.0        | 50       |
| 9         | MVS-139(3.50)  | 31.5        | 50       |
| 10        | MVS-1310(3.50) | 35.0        | 50       |
| 11        | MVS-1311(3.50) | 38.5        | 50       |
| 12        | MVS-1312(3.50) | 42.0        | 50       |
| 13        | MVS-1313(3.50) | 45.5        | 20       |
| 14        | MVS-1314(3.50) | 49.0        | 20       |
| 15        | MVS-1315(3.50) | 52.5        | 20       |
| 16        | MVS-1316(3.50) | 56.0        | 20       |
| 17        | MVS-1317(3.50) | 59.5        | 20       |
| 18        | MVS-1318(3.50) | 63.0        | 20       |
| 19        | MVS-1319(3.50) | 66.5        | 20       |
| 20        | MVS-1320(3.50) | 70.0        | 20       |
| 21        | MVS-1321(3.50) | 73.5        | 20       |
| 22        | MVS-1322(3.50) | 77.0        | 20       |
| 23        | MVS-1323(3.50) | 80.5        | 20       |
| 24        | MVS-1324(3.50) | 84.0        | 20       |



<sup>①</sup> 12A Factory Wiring - UL



**MV13xx-3.50-V-L**

**ELECTRICAL**

|  | Current | Voltage | Wire Range  |
|--|---------|---------|---|
|  | 8A      | 300V    | 30-14AWG  |
|  | 16A     | 750V    | 2.5mm <sup>2</sup> Stranded<br>4.0mm <sup>2</sup> Solid |

**INSTALLATION DATA**

| Screw Size | M3                     | PCB Hole Size   | –     |
|------------|------------------------|-----------------|-------|
| Torque     | 0.5Nm<br>(4.5 lbf-in.) | Stripping Lgth. | 7.5mm |

**MATERIAL**

|                           |                       |                 |                  |
|---------------------------|-----------------------|-----------------|------------------|
| <b>Body</b>               | PA6.8                 | <b>Screw</b>    | Galvanized Steel |
| <b>Flammability Class</b> | UL94V-0               | <b>Terminal</b> | Nickeled Brass   |
| <b>Temperature Limit</b>  | 105°C UL<br>125°C IEC | <b>Clamp</b>    | Nickeled Brass   |
| <b>Color</b>              | Green                 |                 |                  |

| No. Poles | Cat. #          | Length (mm) | Std. Pk. |
|-----------|-----------------|-------------|----------|
| 2         | MV1302-3.50-V-L | 7.0         | 100      |
| 3         | MV1303-3.50-V-L | 10.5        | 100      |
| 4         | MV1304-3.50-V-L | 14.0        | 50       |
| 5         | MV1305-3.50-V-L | 17.5        | 50       |
| 6         | MV1306-3.50-V-L | 21.0        | 50       |
| 7         | MV1307-3.50-V-L | 24.5        | 50       |
| 8         | MV1308-3.50-V-L | 28.0        | 50       |
| 9         | MV1309-3.50-V-L | 31.5        | 50       |
| 10        | MV1310-3.50-V-L | 35.0        | 50       |
| 11        | MV1311-3.50-V-L | 38.5        | 50       |
| 12        | MV1312-3.50-V-L | 42.0        | 50       |

