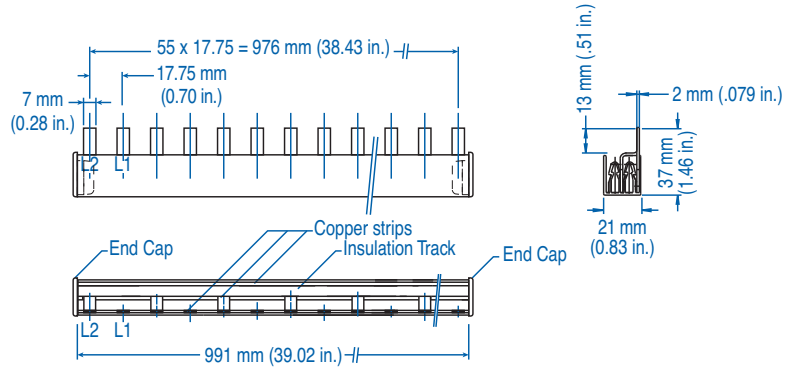


2 PHASE BUSBAR - standard spacing

18mm² for 80A / 25mm² for 100A



18mm² for 80A

25mm² for 100A

Type/ Cat. No.	No. of Pins	No. of MMC to Jumper	Length [mm]	Type/ Cat. No.	No. of Pins	No. of MMC to Jumper	Length [mm]
2P18U3/4	4	2x2 pole	66.3	2P25U3/4	4	2x2 pole	66.3
2P18U3/6	6	3x2 pole	101.8	2P25U3/6	6	3x2 pole	101.8
2P18U3/8	8	4x2 pole	137.3	2P25U3/8	8	4x2 pole	137.3
2P18U3/10	10	5x2 pole	172.8	2P25U3/10	10	5x2 pole	172.8
2P18U3/12	12	6x2 pole	208.3	2P25U3/12	12	6x2 pole	208.3
2P18U3/14	14	7x2 pole	243.8	2P25U3/14	14	7x2 pole	243.8
2P18U3/16	16	8x2 pole	279.3	2P25U3/16	16	8x2 pole	279.3
2P18U3/18	18	9x2 pole	314.8	2P25U3/18	18	9x2 pole	314.8
2P18U3/20	20	10x2 pole	350.3	2P25U3/20	20	10x2 pole	350.3
2P18U3/22	22	11x2 pole	385.8	2P25U3/22	22	11x2 pole	385.8
2P18U3/24	24	12x2 pole	421.3	2P25U3/24	24	12x2 pole	421.3
2P18U3/26	26	13x2 pole	456.8	2P25U3/26	26	13x2 pole	456.8
2P18U3/28	28	14x2 pole	492.3	2P25U3/28	28	14x2 pole	492.3
2P18U3/30	30	15x2 pole	527.8	2P25U3/30	30	15x2 pole	527.8
2P18U3/32	32	16x2 pole	563.3	2P25U3/32	32	16x2 pole	563.3
2P18U3/34	34	17x2 pole	598.8	2P25U3/34	34	17x2 pole	598.8
2P18U3/36	36	18x2 pole	634.3	2P25U3/36	36	18x2 pole	634.3
2P18U3/38	38	19x2 pole	669.8	2P25U3/38	38	19x2 pole	669.8
2P18U3/40	40	20x2 pole	705.3	2P25U3/40	40	20x2 pole	705.3
2P18U3/42	42	21x2 pole	740.8	2P25U3/42	42	21x2 pole	740.8
2P18U3/44	44	22x2 pole	776.3	2P25U3/44	44	22x2 pole	776.3
2P18U3/46	46	23x2 pole	811.8	2P25U3/46	46	23x2 pole	811.8
2P18U3/48	48	24x2 pole	847.3	2P25U3/48	48	24x2 pole	847.3
2P18U3/50	50	25x2 pole	882.8	2P25U3/50	50	25x2 pole	882.8
2P18U3/52	52	26x2 pole	918.3	2P25U3/52	52	26x2 pole	918.3
2P18U3/54	54	27x2 pole	953.8	2P25U3/54	54	27x2 pole	953.8
2P18U3/56	56	28x2 pole	989.3	2P25U3/56	56	28x2 pole	989.3

ACCESSORIES



Type/Cat. No:	P50UT	P50UB	BRS5	18/25CAP3P
Description:	Power Feed Lug	Modular Direct Power Feed	Insulation Cap	End Cap