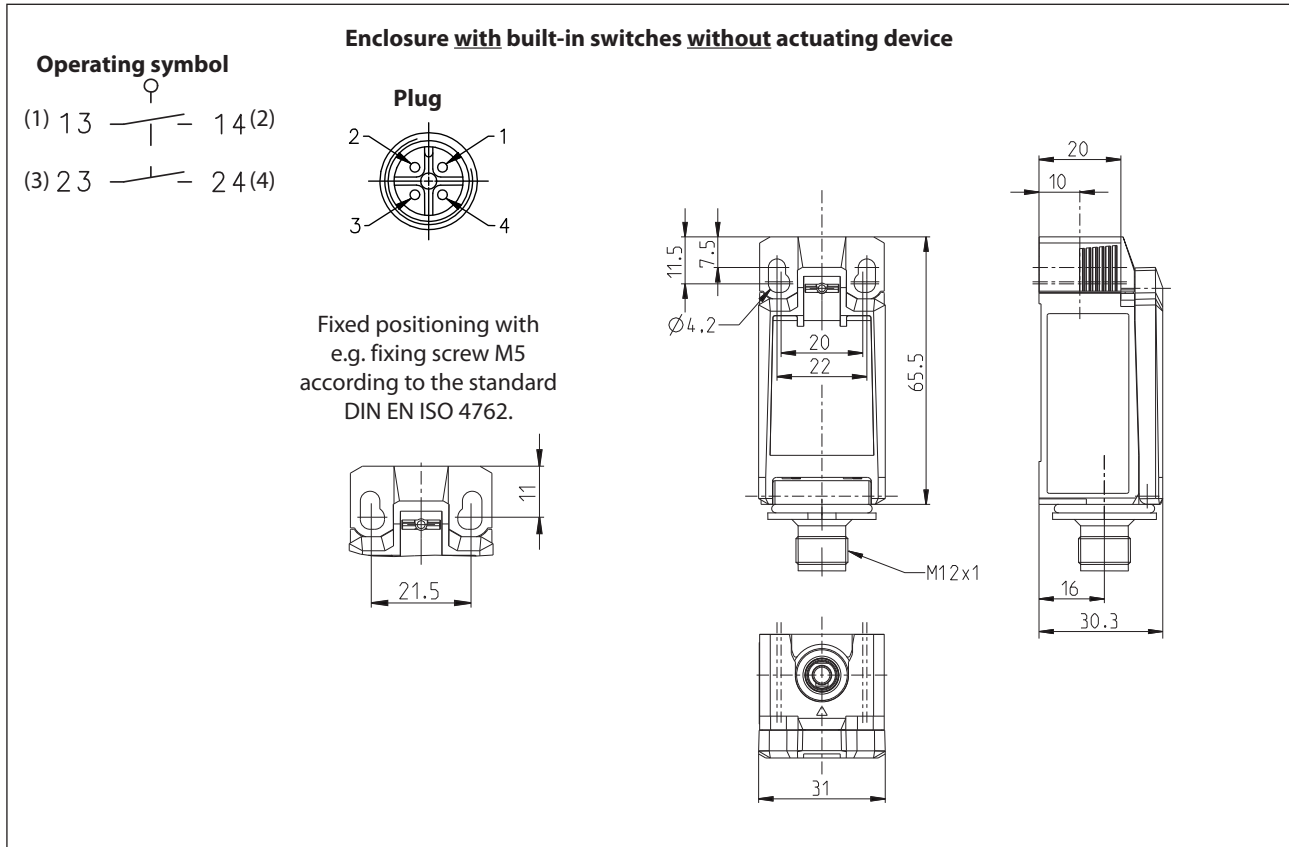


Plastic bodied limit switch
Series IN65-modular system

Description **IN65-E2 M12**

Article number **6083000291**



| Electrical Data | | |
|---|-----------|---|
| Rated insulation voltage | U_i | 250 V |
| Rated impulse withstand voltage | U_{imp} | 4 kV |
| Rated operational voltage | U_e | 240 V AC / 24 V DC |
| Rated supply frequency AC | | 50 / 60 Hz |
| Overvoltage category | | II acc. EN 60947-1 annex H table H1 |
| Conv. thermal current | I_{the} | 4 A |
| Minimum current | | 1 mA |
| Utilization category | | AC 15, U_e/I_e 240 V / 3 A DC 13, U_e/I_e 24 V / 4 A |
| Short-circuit protective device | | Fuse 4 A gG |
| Rated conditional short-circuit current | | 400 A |
| Max. contact resistance | | 25 mOhm (unused) |

| Mechanical data | | |
|------------------------------------|-------|---|
| Enclosure | | Thermoplastic, glass fibre reinforced (UL 94-V0) |
| Cover | | Thermoplastic, glass fibre reinforced (UL 94-V0) |
| Actuating force | F_B | $10\text{ N} \leq F_B \leq 30\text{ N}$ |
| Operating temperature | | $-30\text{ °C} \dots +75\text{ °C}$ |
| Storage temperature | | $-40\text{ °C} \dots +80\text{ °C}$ |
| Protection type | | IP66 / IP67 acc. EN 60529 |
| Pollution degree (built-in switch) | | 3 |
| Contact material | | silver |
| Device Class (built-in switch) | | Category E (MC3+CC2+SC1) acc. EN 60947-1 annex Q |
| Contact type | | 2 N.O. (Form Zb) |
| Operating rate | V | $0,06\text{ m/min} \leq V \leq 30\text{ m/min}$ |
| Bounce duration | ms | The value depends on the operating rate. |
| Switchover time | ms | The value depends on the operating rate. |
| Switching frequency | | $\leq 60 / \text{min.}$ |
| Mechanical life | | 30×10^6 operating cycles |
| Mission time | | ≤ 20 years |
| Connection | | Connector M12x1, A-coded |
| Conductor cross-sections | | Solid or Litz wire with ferrules $0,34\text{ mm}^2 - 1,5\text{ mm}^2$; AWG 22-16 |
| Cable entrance | | $1 \times \text{M}20 \times 1,5$ |
| Weight | | $\approx 0,06\text{ kg}$ |
| Installation position | | operator definable |

| Standards |
|--|
| VDE 0660 T200, DIN EN 60947-5-1, IEC 60947-5-1 |
| UL 508 / CSA C22.2 No.14 |

| EU Conformity |
|--|
| acc. to directive 2014/35/EU (Low-Voltage-Directive) |

| Approvals |
|---|
| CCC (AC 15, U_e/I_e 240 V / 1,5 A; DC 13, U_e/I_e 24 V / 1,5 A) |

| Notes |
|---|
| <p>The degree of protection specified (IP code) applies only to a properly closed cover and the use of an equivalent connector. The connector and the cable (fix or flexible mounted) must at least be suitable for the described ambient air temperatures. The connector must not be connected or disconnected when voltage is applied. The mechanical life of the connector is 100 connection cycles.</p> <p>The information on the switching travel can be found in the data sheets of the actuator, as these depend on the actuator used.</p> <p>Approvals / properties applies only to the fully assembled device.</p> |