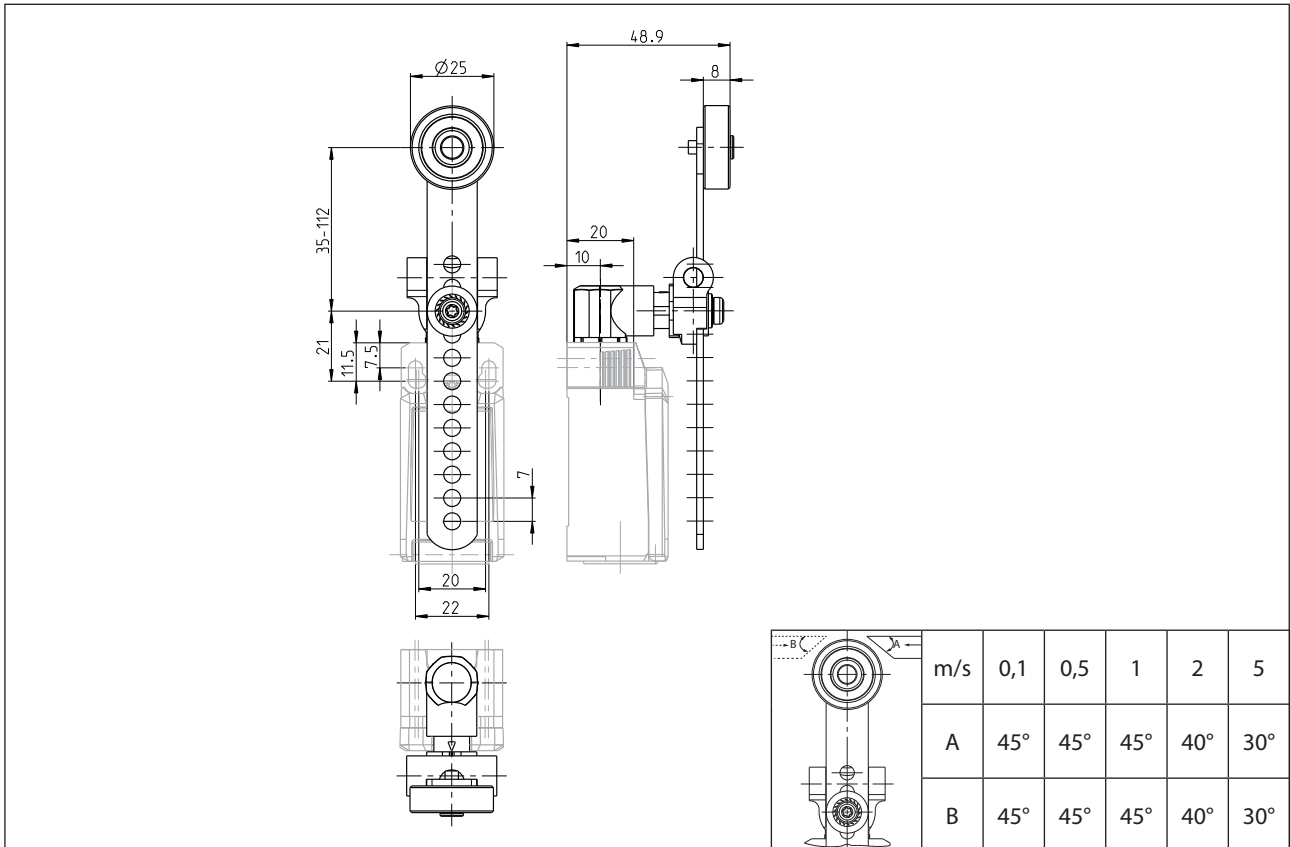


Actuator

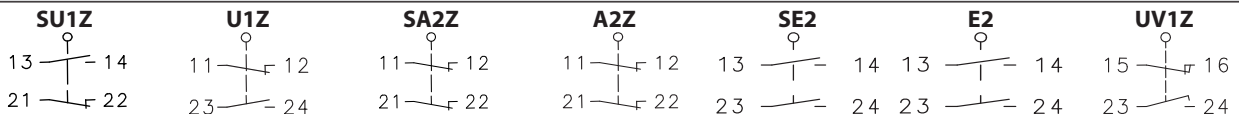
Series IN65/I81-modular system

Description **AVZK-EINR.**

Article number **3918362358**

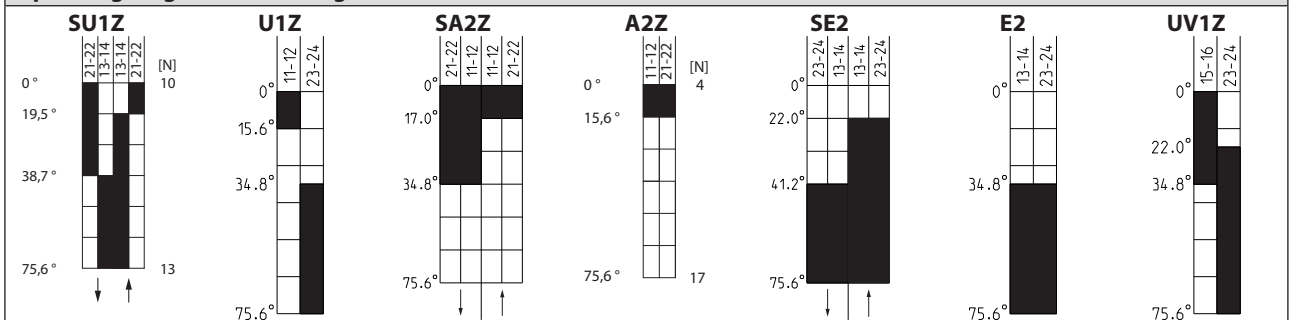


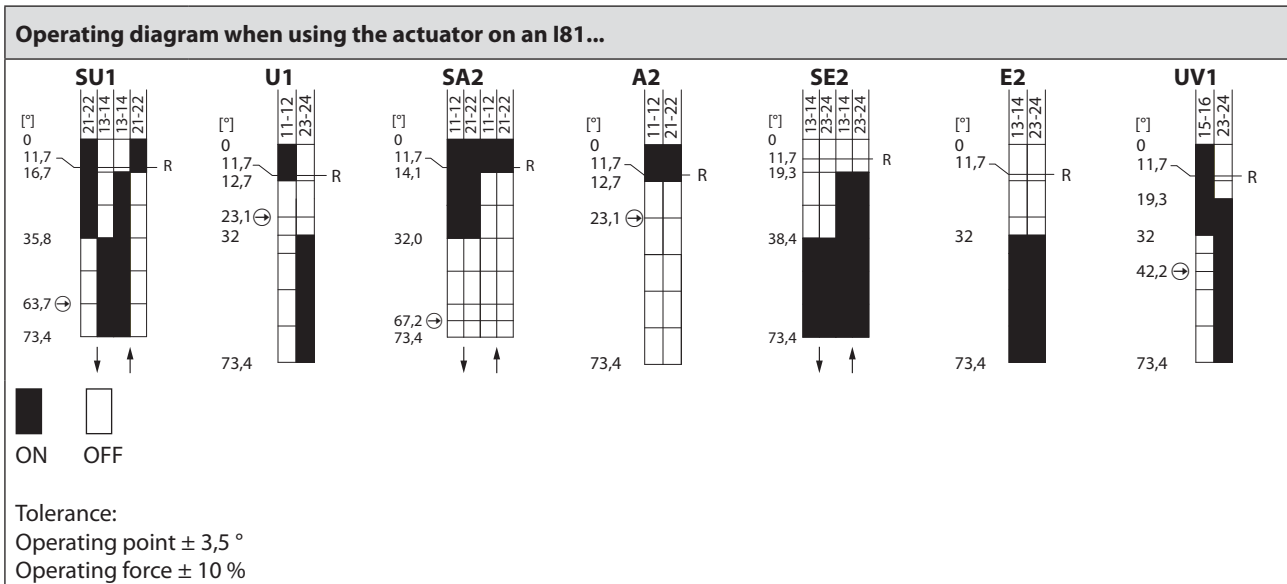
Switching symbol depending on the switching function used



Operating diagram depending on the switching function used and the switch series

Operating diagram when using the actuator on an IN65...





| Mechanical data | |
|-----------------------|---|
| Actuator | Metal lever with plastic roller / lever in 15 ° increments adjustable |
| Operating temperature | -30 °C ... +75 °C |
| Storage temperature | -40 °C ... +80 °C |
| Protection type | IP66 / IP67 acc. EN 60529 |
| Operating rate | V $0,06 \text{ m/min} \leq V \leq 30 \text{ m/min}$ |
| Switching frequency | $\leq 100 / \text{min.}$ |
| Mechanical life | 10×10^6 operating cycles *1 |
| Mission time | ≤ 20 years |
| Weight | $\approx 0,06 \text{ kg}$ |
| Installation position | operator definable |

Actuation

The actuating device is preferably started from 2 sides.
 By lifting the clamp the actuation assembly can be rotated in 45° increments such that 16 actuation directions are possible.
 The actuation assembly is to be again fastened to the housing by lowering the clamp.

Approvals

cCSA_{US}

Notes

*1 The specification represents the maximum value for the respective individual component of the kit. The decisive mechanical life is determined for the completely assembled terminal device by the individual component with the lowest value.

The degree of protection (IP code) specified applies solely in the mounted state.

Approvals / properties applies only to the fully assembled device.