

# OKA Door Mounting Kit for KU Switches

Designed for fast and easy assembly. Kit includes handle, shaft, mounting hardware and drill template; it does not include motor disconnect switch.

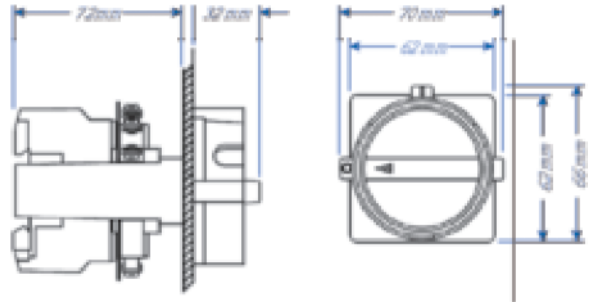
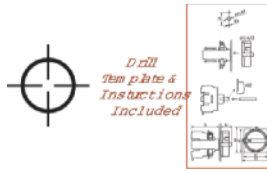
Environmental Rating (IEC): IP65



Shown with switch and display plate. (sold separately)



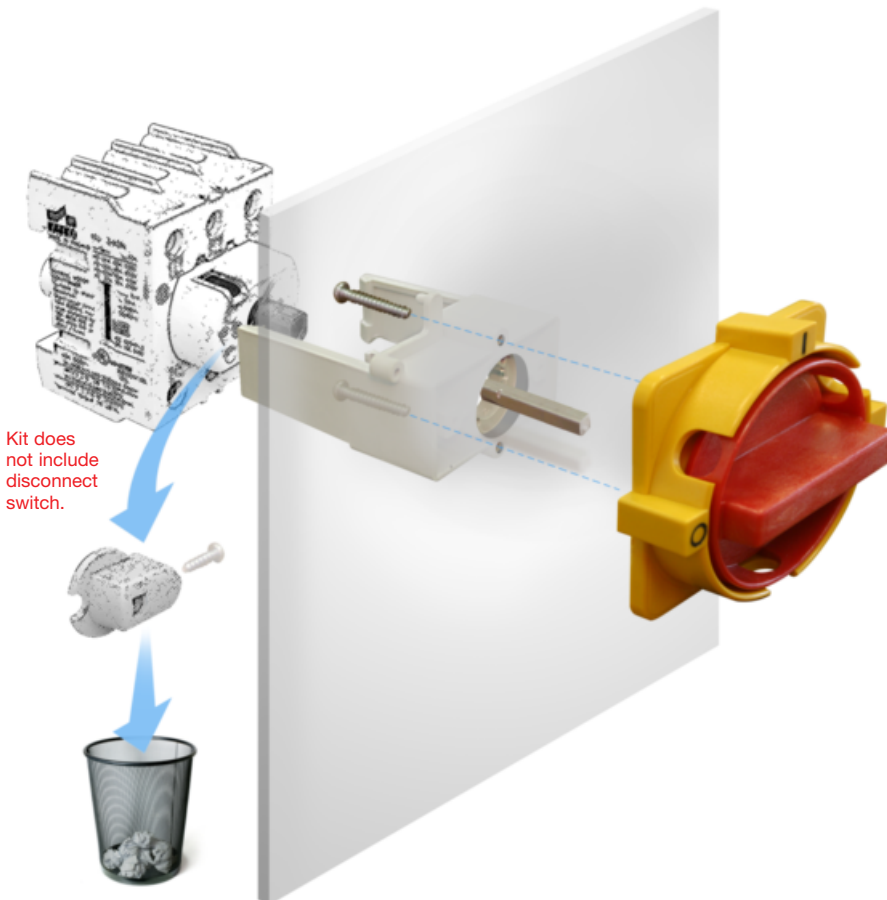
Lockable with up to 3 padlocks.



Cat. No. (Black Handle)	Cat. No. (Yellow/Red Handle)	No. of aux. switches	For use with
OKA 0.V	OKA 0.V Y/R	0	3 Pole KU switch
OKA 1.V	OKA 1.V Y/R	1	3 Pole KU switch
OKA 2.V	OKA 2.V Y/R	2	3 Pole KU switch

## Assembly Instructions

Use the enclosed drill template to prepare the door for door mounting kit assembly. Discard the switch handle on the disconnect switch and follow photo-illustration below.



1. Drill required holes in the door/side of panel.
2. Fix the base plate and the OKA door mounting kit to the door.
3. Remove position indicator from the switch if applicable. Press the shaft (L=43 mm) into the switch. Connect the wires to the terminals.
4. Turn the switch to off-position (0). Push the switch in place until the snap-on grips are firmly clipped on both sides of the switch.

**WARNING:** Auxiliary contact may be broken if pushed on switch in on-position (1).

Dimensions (to convert to inches multiply by 0.03937)