

Conduit Gland angled 90°

Quick-Mounting System for Polyflex PA 6 Conduit

Material:

- Polyamide 66

Technical properties:

- Easy and tight single hand mounting
- Insert tube in "closed" gland
- Special click-in system
- Conical sealing on the corrugated tube
- Thread side sealed by integral sealing ridges
- Gray available
- Conduit can be rotated within the mounting gland
- Halogen free

Applications:

All fields using conduit

Mounting instructions:

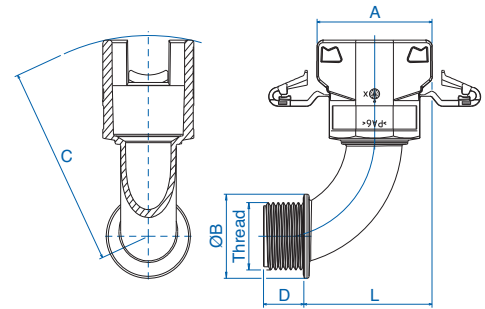
Insert the conduit with a short twist all the way into the end of the SEM conduit gland.
Pull the tube back slightly to latch it securely.



Temperature Range

-40 to 120°C
(-40 to 248°F)

Thread	Fits NW	D mm	L mm	A mm	B mm	C mm	Cat. No. Black	Std. Pk.
PG								
PG 9	10	12.0	29.0	21.6	20.0	50.0	3805201	50
PG 11	12 + 13	12.0	34.0	25.5	25.0	54.6	3805207	50
PG 16	17	13.0	44.5	34.5	31.0	65.8	3805213	25
PG 21	23	13.0	51.5	42.5	38.0	74.1	3805219	20
PG 29	29	15.0	63.5	49.5	48.0	86.8	3805225	10
PG 36	37	17.0	74.5	59.0	56.0	104.8	3805231	10
PG 48	50	19.0	99.8	72.0	72.0	129.0	3805237	5
Metric								
M 16 x 1.5	10	12.0	29.0	21.6	20.0	50.0	3805200	50
M 20 x 1.5	12 + 13	12.0	34.0	25.5	25.0	54.6	3805206	50
M 20 x 1.5	17	12.0	38.5	34.5	25.0	59.7	3805211	25
M 25 x 1.5	23	13.0	48.5	42.5	31.0	71.3	3805217	20
M 32 x 1.5	29	13.0	54.5	49.5	38.0	77.2	3805223	10
M 40 x 1.5	37	15.0	68.5	59.0	48.0	95.6	3805229	10
M 63 x 1.5	50	19.0	99.8	72.0	72.0	129.0	3805236	5



*With O-ring, see page 39.

Locknuts sold separately, see page 24.