

**52.5mm Enclosure**  
Without Terminals



**TECHNICAL INFORMATION**

**Electrical:** -  
**Housing Material:** Glass-filled Polycarbonate  
**Temperature Range:** Up to 115°C (239°F)  
**Flammability Rating:** UL94 V-O  
**Color:** Light Gray Cover, Black Base

**Terminal Type:** -  
**Terminal Screw Size:** -  
**Recommended Torque:** -  
**PCB Locations:** (3) Vertical, Parallel  
**Mounting:** 35mm DIN Rail

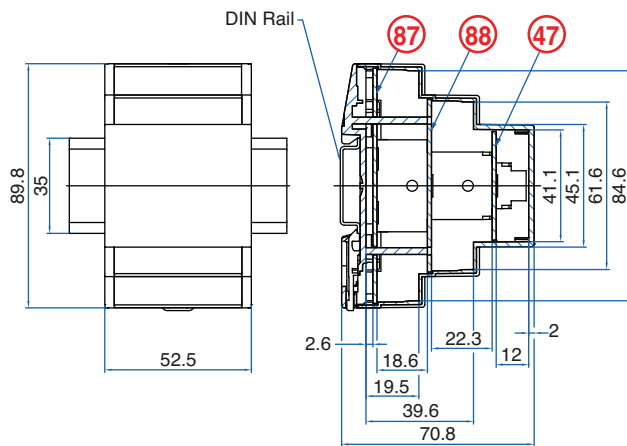
**ORDERING INFORMATION**

| Part Number | Type    | Description       | PCB Connection |
|-------------|---------|-------------------|----------------|
| 91.820      | KU4184B | Without Terminals | None           |

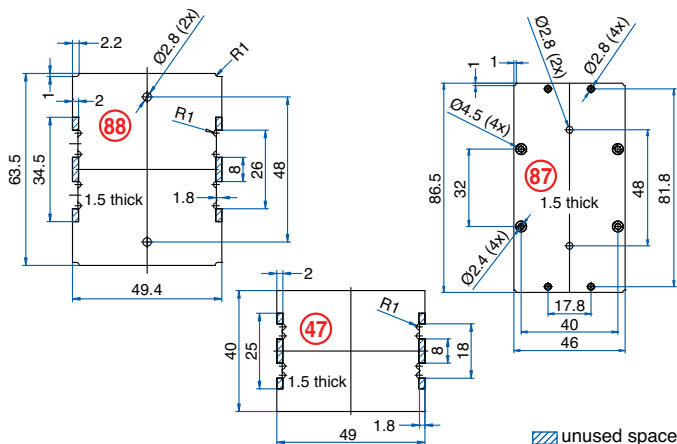
**ACCESSORIES**

| Accessories      | Part Number | Type        |
|------------------|-------------|-------------|
| 1 Meter DIN Rail | 2511120/1M  | TS35x7.5/1M |

**ENCLOSURE DRAWING (To convert to inches divide by 25.4.)**



**PCB DRAWING (To convert to inches divide by 25.4.)**



**36 Terminal**  
Fixed PCB Blocks



**TECHNICAL INFORMATION**

**Electrical:** 12A, 250V, 24-12 AWG  
**Housing Material:** Glass-filled Polycarbonate  
**Temperature Range:** Up to 115°C (239°F)  
**Flammability Rating:** UL94 V-O  
**Color:** Light Gray Cover, Black Base and Terminals

**Terminal Type:** Screw / Rising Clamp  
**Terminal Screw Size:** M2.5  
**Recommended Torque:** 0.4Nm  
**PCB Locations:** (2) Vertical, Parallel  
**Mounting:** 35mm DIN Rail

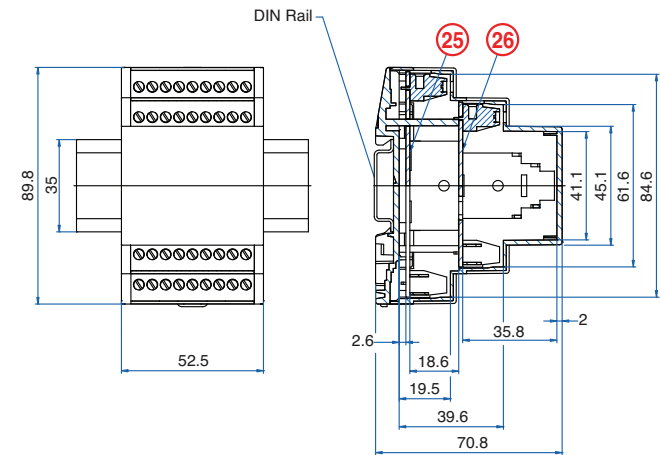
**ORDERING INFORMATION**

| Part Number | Type    | Description         | PCB Connection |
|-------------|---------|---------------------|----------------|
| 91.821      | KU4184F | Fixed PCB Terminals | Machine Solder |

**ACCESSORIES**

| Accessories              | Part Number | Type        |
|--------------------------|-------------|-------------|
| 1 Meter DIN Rail         | 2511120/1M  | TS35x7.5/1M |
| Terminal Cover (12 pole) | 91.801.1    | TCS/12      |

**ENCLOSURE DRAWING (To convert to inches divide by 25.4.)**



**PCB DRAWING (To convert to inches divide by 25.4.)**

