

**32 Terminal**

**Vertical PCB**  
**Screw Clamp**  
 terminals on one side only



**TECHNICAL INFORMATION**

**Electrical:** 16A, 300V, 22-14 AWG  
**Housing Material:** Glass-filled Polycarbonate  
**Temperature Range:** Up to 125°C (257°F)  
**Flammability Rating:** UL94 V-O  
**Color:** Light Gray

**Terminal Type:** Screw / Pressure Plate  
**Terminal Screw Size:** M3.5  
**Recommended Torque:** 0.8Nm  
**Max. PCB's:** (8) Vertical  
**Mounting:** 35mm DIN Rail or optional panel mounting\*

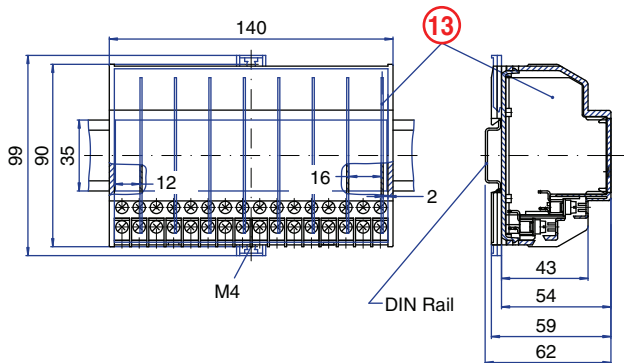
**ORDERING INFORMATION**

| Part Number | Type    | Description      | PCB Connection                 |
|-------------|---------|------------------|--------------------------------|
| 91.320      | KU4011B | Right Angle Pins | Machine Solder/<br>Wire Jumper |

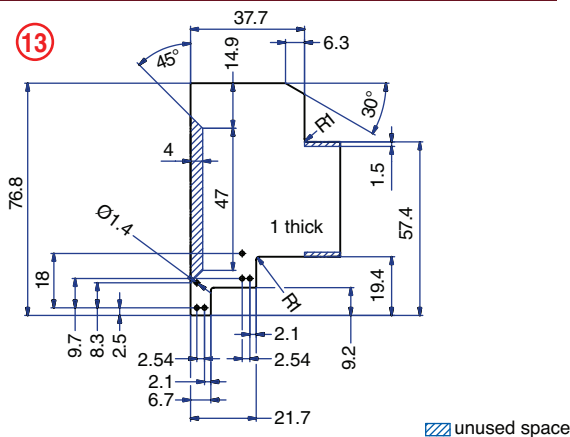
**ACCESSORIES**

| Accessories                              | Part Number | Type        |
|--|-------------|-------------|
| 1 Meter DIN Rail                         | 2511120/1M  | TS35x7.5/1M |
| Screw-hole and Wire-Entry Cover Plug Set | 91.201.1    | SHPC        |
| *Panel Mount Tab                         | 93.001.5    | PMA/KU      |

**ENCLOSURE DRAWING (To convert to inches divide by 25.4.)**

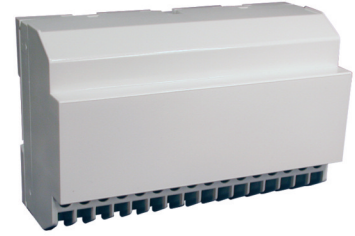


**PCB DRAWING (To convert to inches divide by 25.4.)**



**32 Terminal**

**Horizontal PCB**  
**Screw Clamp**  
 terminals on one side only



**TECHNICAL INFORMATION**

**Electrical:** 16A, 300V, 22-14 AWG  
**Housing Material:** Glass-filled Polycarbonate  
**Temperature Range:** Up to 125°C (257°F)  
**Flammability Rating:** UL94 V-O  
**Color:** Light Gray

**Terminal Type:** Screw / Pressure Plate  
**Terminal Screw Size:** M3.5  
**Recommended Torque:** 0.8Nm  
**Max. PCB's:** (1) Horizontal, (2) Vertical  
**Mounting:** 35mm DIN Rail or optional panel mounting\*

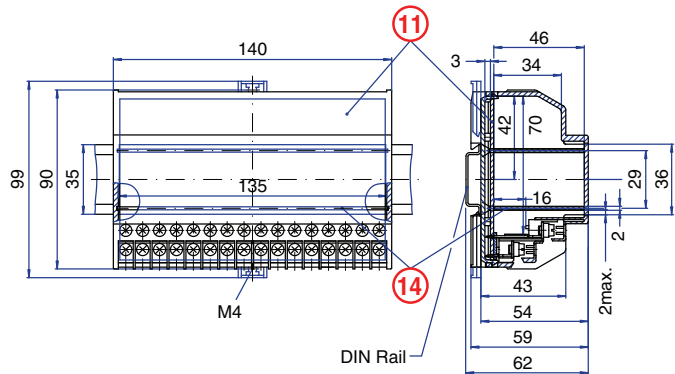
**ORDERING INFORMATION**

| Part Number | Type    | Description   | PCB Connection |
|-------------|---------|---------------|----------------|
| 91.300      | KU4011C | Straight Pins | Machine Solder |

**ACCESSORIES**

| Accessories                              | Part Number | Type        |
|--|-------------|-------------|
| 1 Meter DIN Rail                         | 2511120/1M  | TS35x7.5/1M |
| Screw-hole and Wire-Entry Cover Plug Set | 91.201.1    | SHPC        |
| *Panel Mount Tab                         | 93.001.5    | PMA/KU      |

**ENCLOSURE DRAWING (To convert to inches divide by 25.4.)**



**PCB DRAWING (To convert to inches divide by 25.4.)**

