

# KS4400 Enclosure Series

## 18 Terminal Fixed Terminals



### TECHNICAL INFORMATION

**Electrical:**  
10A, 300V, 22-14AWG

**Materials:**  
Housing - PA-GF  
Front Plate - PBT  
Terminals - PA

**Temperature Range:**  
Up to 120°C (248°F)

**Flammability Rating:**  
UL94 V-O

**\*Color:** Black Housing  
Gray Cover Plate

**Terminal Type:**  
Fixed Screw

**Terminal Screw Size:** M2.5

**Recommended Torque:**  
0.5Nm

**Max. PCB's:**  
(1) Vertical

**Mounting:**  
35mm DIN Rail

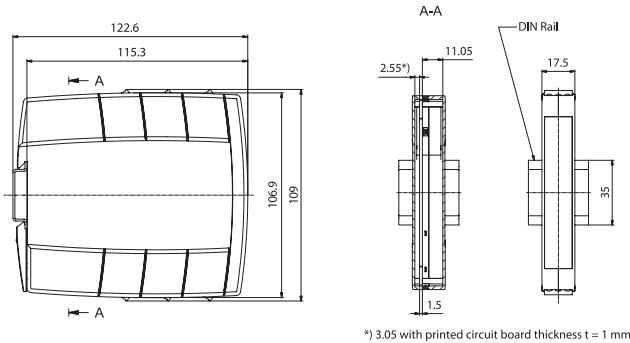
### ORDERING INFORMATION

| Part Number | Type     | Terminals   | PCB Connection |
|-------------|----------|-------------|----------------|
| 90.130      | KS4402/F | Fixed Screw | Machine Solder |

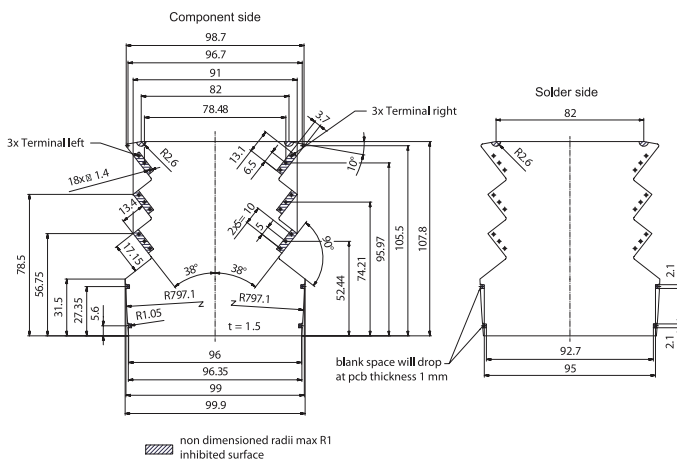
### ACCESSORIES

| Accessories            | Part Number | Type        |
|------------------------|-------------|-------------|
| 1 Meter DIN Rail       | 2511120/1M  | TS35x7.5/1M |
| Terminal Blanking Plug | 90.190      | KS4403-5-1  |
| Light Pipes, 3mm Grid  | 90.191      | KS4400-7-1  |
| Light Pipes, 5mm Grid  | 90.192      | KS4400-6-1  |

### ENCLOSURE DRAWING (To convert to inches divide by 25.4.)



### PCB DRAWING (To convert to inches divide by 25.4.)



\*Other colors are available upon request.

## 18 Terminal Pluggable Terminals



### TECHNICAL INFORMATION

**Electrical:**  
10A, 300V, 30-12AWG (Screw);  
10A, 300V, 26-12AWG (Spring)

**Materials:**  
Housing - PA-GF  
Front Plate - PBT  
Terminals - PA

**Temperature Range:**  
Up to 120°C (248°F)

**Flammability Rating:**  
UL94 V-O

**\*Color:** Black Housing  
Gray Cover Plate

**Terminal Type:**  
Pluggable Screw /  
Pluggable Spring

**Terminal Screw Size:** M2.5

**Recommended Torque:**  
0.5Nm

**Max. PCB's:**  
(1) Vertical

**Mounting:**  
35mm DIN Rail

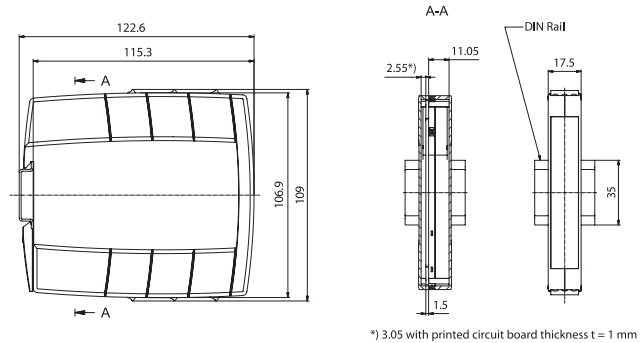
### ORDERING INFORMATION

| Part Number | Type      | Terminals        | PCB Connection |
|-------------|-----------|------------------|----------------|
| 90.131      | KS4402/PS | Pluggable Screw  | Machine Solder |
| 90.132      | KS4402/PC | Pluggable Spring | Machine Solder |

### ACCESSORIES

| Accessories            | Part Number | Type        |
|------------------------|-------------|-------------|
| 1 Meter DIN Rail       | 2511120/1M  | TS35x7.5/1M |
| Terminal Blanking Plug | 90.190      | KS4403-5-1  |
| Light Pipes, 3mm Grid  | 90.191      | KS4400-7-1  |
| Light Pipes, 5mm Grid  | 90.192      | KS4400-6-1  |

### ENCLOSURE DRAWING (To convert to inches divide by 25.4.)



### PCB DRAWING (To convert to inches divide by 25.4.)

