

Technical Data

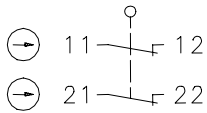
Rope pull switch

Series SRM - ASI

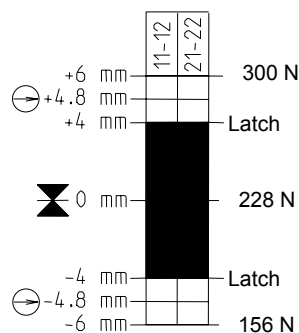
Description **ASI SRM-QF-300**

Article number **6073200008**

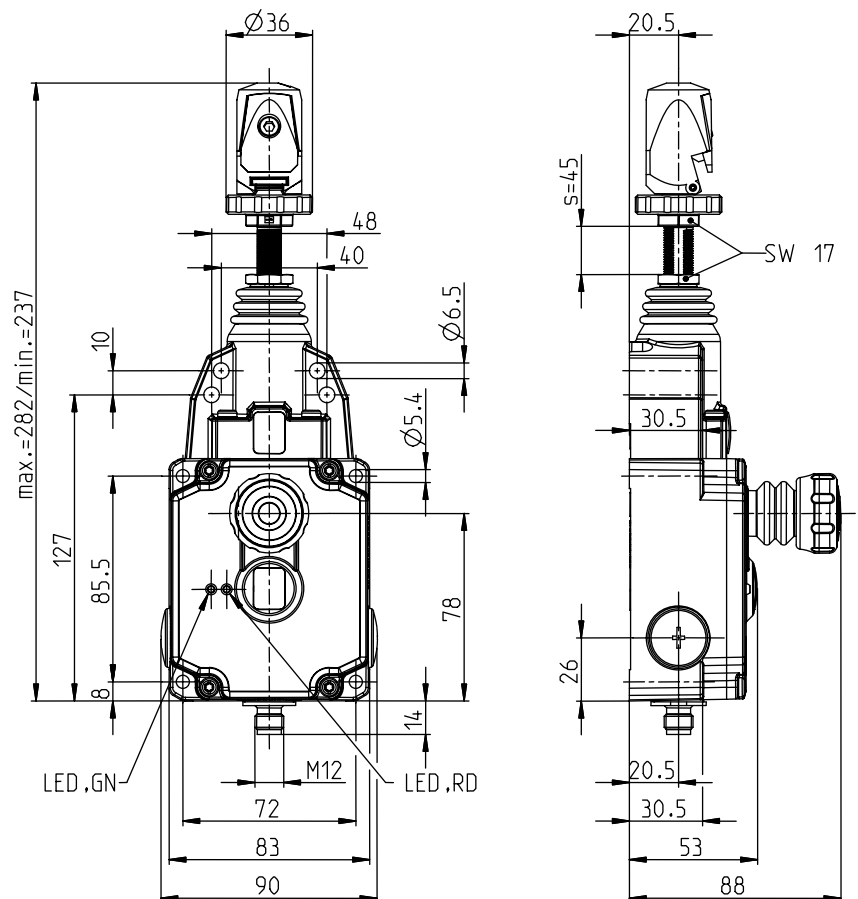
Operating symbol



Operating diagram



ON OFF Tolerance:
 Operating point $\pm 0,5$ mm
 Actuating force ± 15 %



Electrical data

Operating voltage U 26,5 ... 31,6 V; via AS-interface, reverse-polarity proof

Operating current I < 30mA

AS-i Specifications Profile S-0.B

IO-Code: 0x0 ID-Code: 0xB

ID-Code1: 0xF ID-Code2: 0xE

AS-i Inputs

Contact 1: Date bits D0/D1 = static 00
or dynamic code transmission

Contact 2: Date bits D2/D3 = static 00
or dynamic code transmission

Parameter bits

no function

AS-i Address

preset address: 0

This document will not become the contractual basis; the details included herein do not constitute any descriptions of expected conditions, so that warranties/claims for defects on account of possible variations of the actual qualities from the qualities described herein are explicitly excluded. All rights reserved. Specifications subject to change without notice!

Date of issue: 09.06.2011 / Page 1 of 2
Document: 6073200008_en / Last update: 1 / 2366-11

Technical Data

Rope pull switch



Mechanical data	
Enclosure	Al-die cast
Cover	Al-die cast
Indication	LEDs for slave and bus state
Actuator	Quick clamping device with integrated Turnbuckle (Zn-die cast)
Emergency Stop	PA, glass fibre reinforced
Ambient air temperature	-25° C ... +70° C (no freezing over/ no condensation)
Contact type	2 NC (slow-action, Zb)
Latching device	acc. to IEC 60947-5-5, DIN EN 60947-5-5, ISO 13850 (DIN EN 418)
Reset facility	pull of the emergency stop acc. to IEC/EN 60947-5-5
Mechanical life	acc. to IEC 60947-5-5 max. 1×10^5 switching cycles
Rope length	$\leq 37,5$ m (depends on the max. temperature variation)
Rope \varnothing	D = $\varnothing 2 - 5$ mm
Switching frequency	≤ 20 /min.
Assembly	4 x M6 oder 4 x M5
Connection	Plug connector M12 male
Plug connection	1: AS-i + 2: free 3: AS-i - 4: free
Weight	$\approx 0,48$ kg
Installation position	operator definable
Protection type	IP67 acc. to IEC/EN 60529

Standards	
	VDE 0660 T100, DIN EN 60947-1, IEC 60947-1
	VDE 0660 T200, DIN EN 60947-5-1, IEC 60947-5-1
	VDE 0660 T210, DIN EN 60947-5-5, IEC 60947-5-5
	ISO 13850
	EN 50295, EN ISO 13849-1

EU Conformity	
	acc. to EMC Directive

Safety Classification	
	according 13849-1 to PL e
	MTTFd = high
	PFD = $2,49 * 10^{-10}$

Notes
The degree of protection (IP code) specified applies solely to a property closed cover and the use of an equivalent cable gland with adequate cable.

Maintenance-free installation.
Rope with accessories is available on demand.

This document will not become the contractual basis; the details included herein do not constitute any descriptions of expected conditions, so that warranties/claims for defects on account of possible variations of the actual qualities from the qualities described herein are explicitly excluded. All rights reserved. Specifications subject to change without notice!

Date of issue: 09.06.2011 / Page 2 of 2
Document: 6073200008_en / Last update: 1 / 2366-11