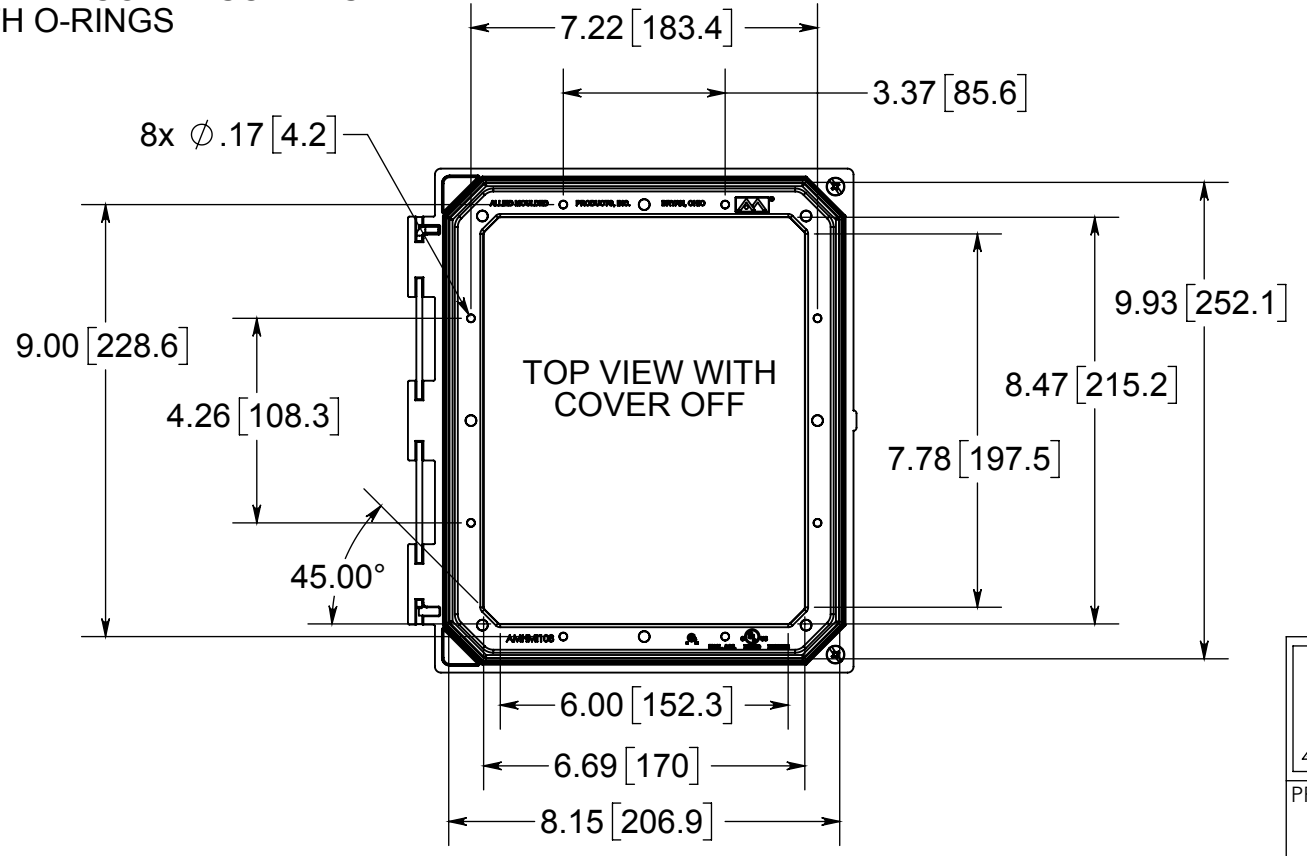
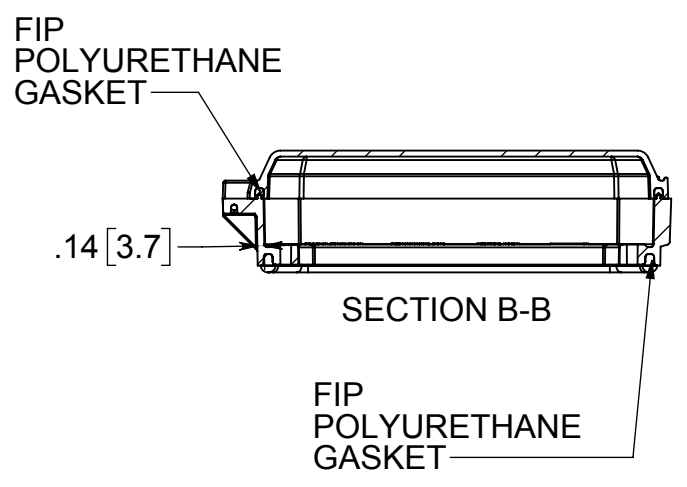
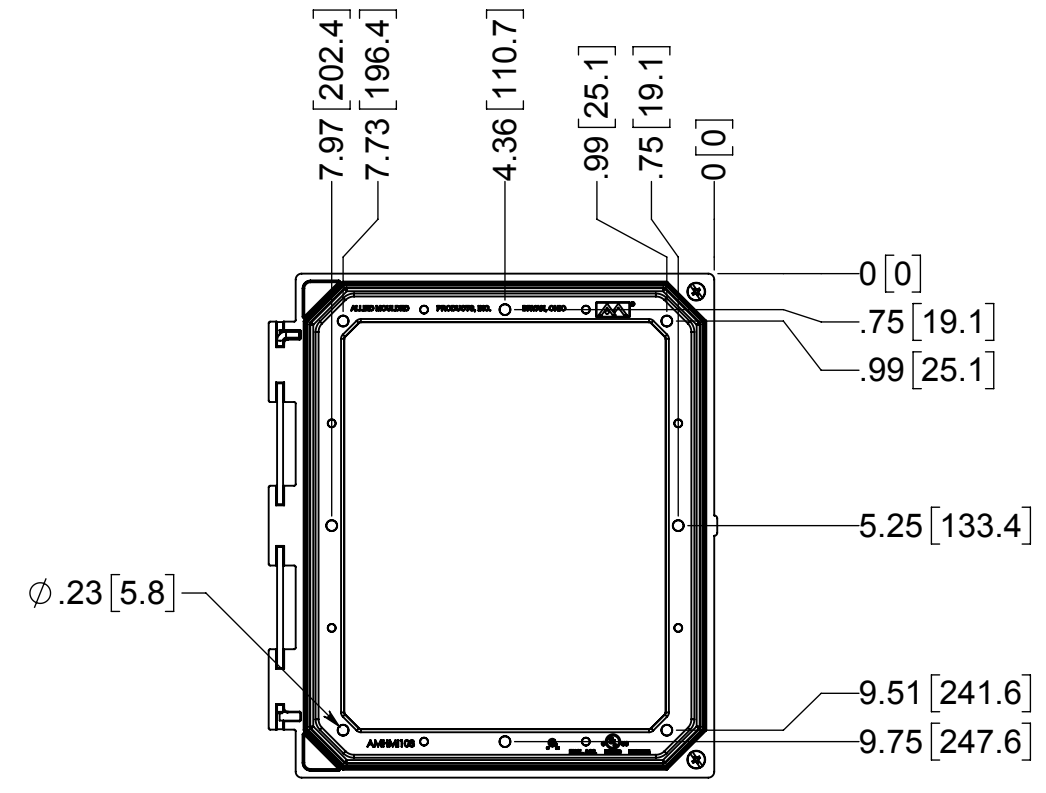
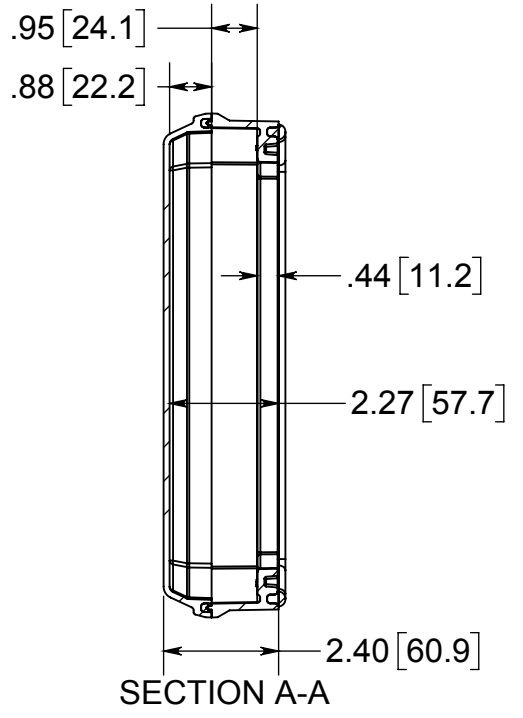


(2) EACH #10-32 BRASS INSERTS, AND 316 STAINLESS STEEL CAPTIVE COVER SCREWS WITH O-RINGS

316 STAINLESS STEEL HINGE PIN



**MATERIAL:**  
 BOX- INJECTION POLYCARBONATE  
 STANDARD COVER-INJECTION POLYCARBONATE  
 CLEAR COVER- INJECTION POLYCARBONATE

**NOTE:**  
 1. DATA SUBJECT TO CHANGE  
 2. WILL FIT ALLIED MOULDED ENCLOSURE SIZES 12X10 AND LARGER

**CONFIDENTIAL**  
 THIS MATERIAL IS OWNED BY THE ALLIED MOULDED PRODUCTS COMPANY, IS DISCLOSED IN CONFIDENCE, AND IS NOT TO BE REPRODUCED OR DISTRIBUTED WITHOUT PRIOR WRITTEN PERMISSION FROM ALLIED MOULDED PRODUCTS.



PRODUCT SERIES  
**Access-Indus**  
 Part No.  
**- AMHMI108H**