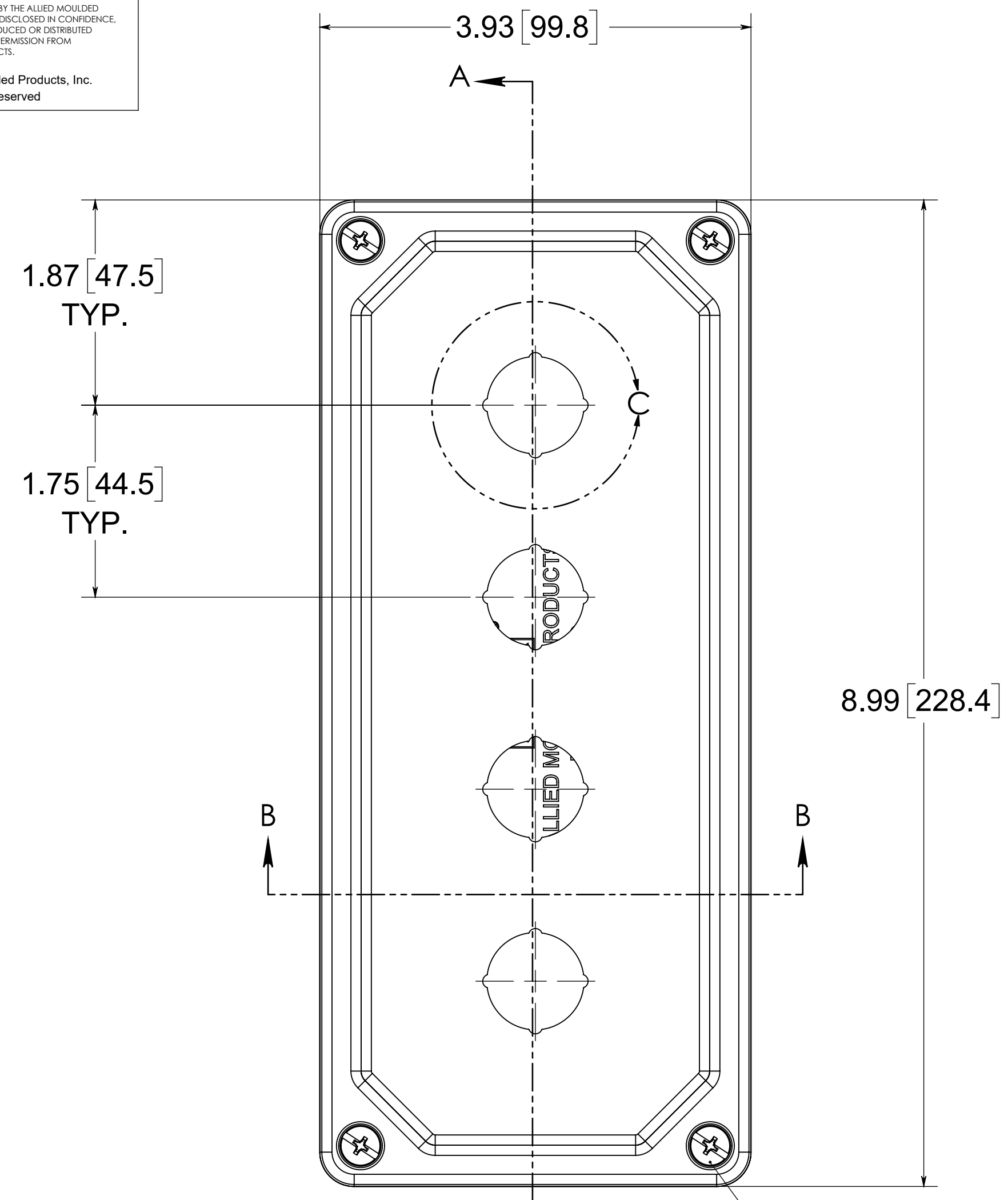
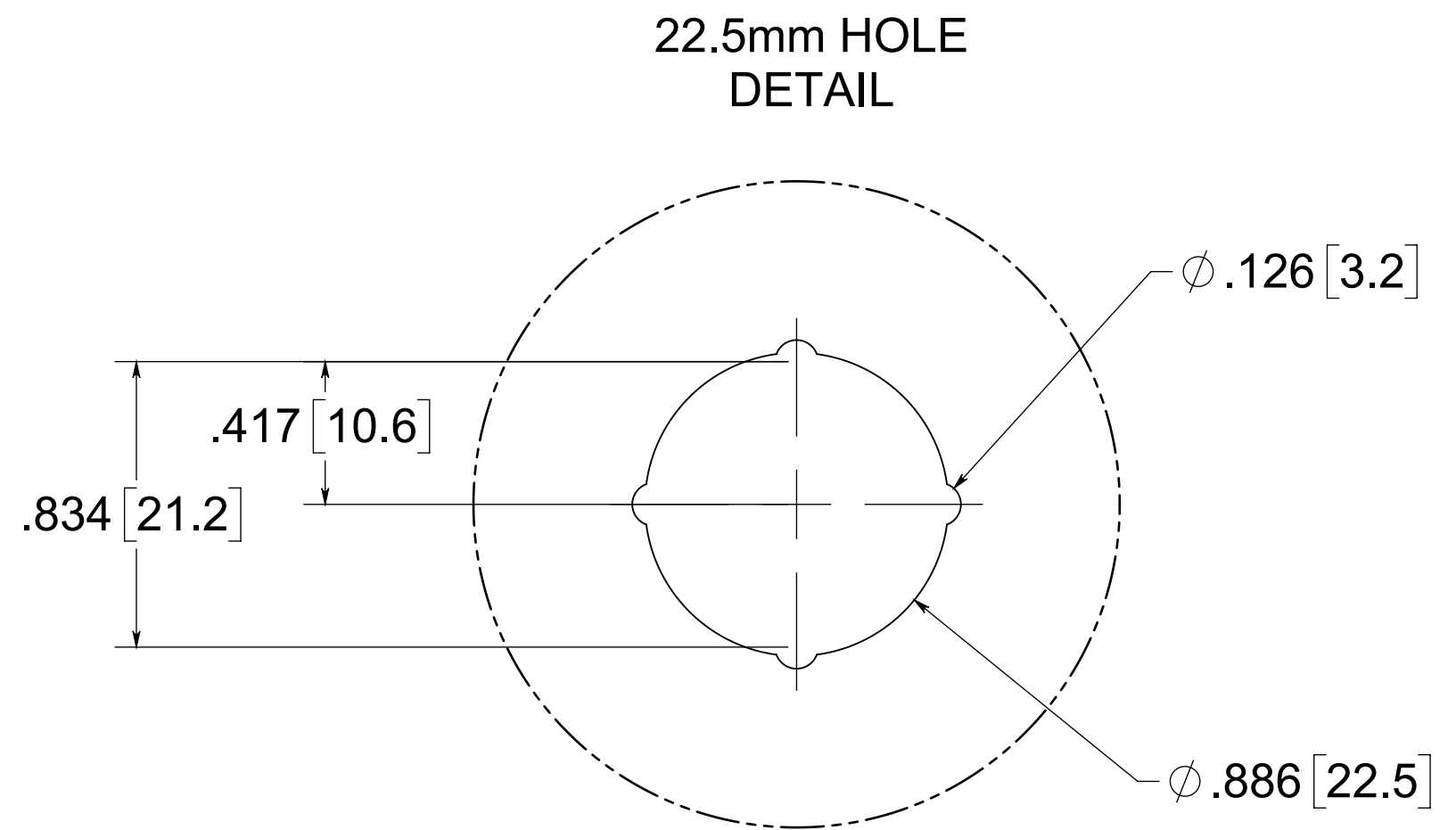
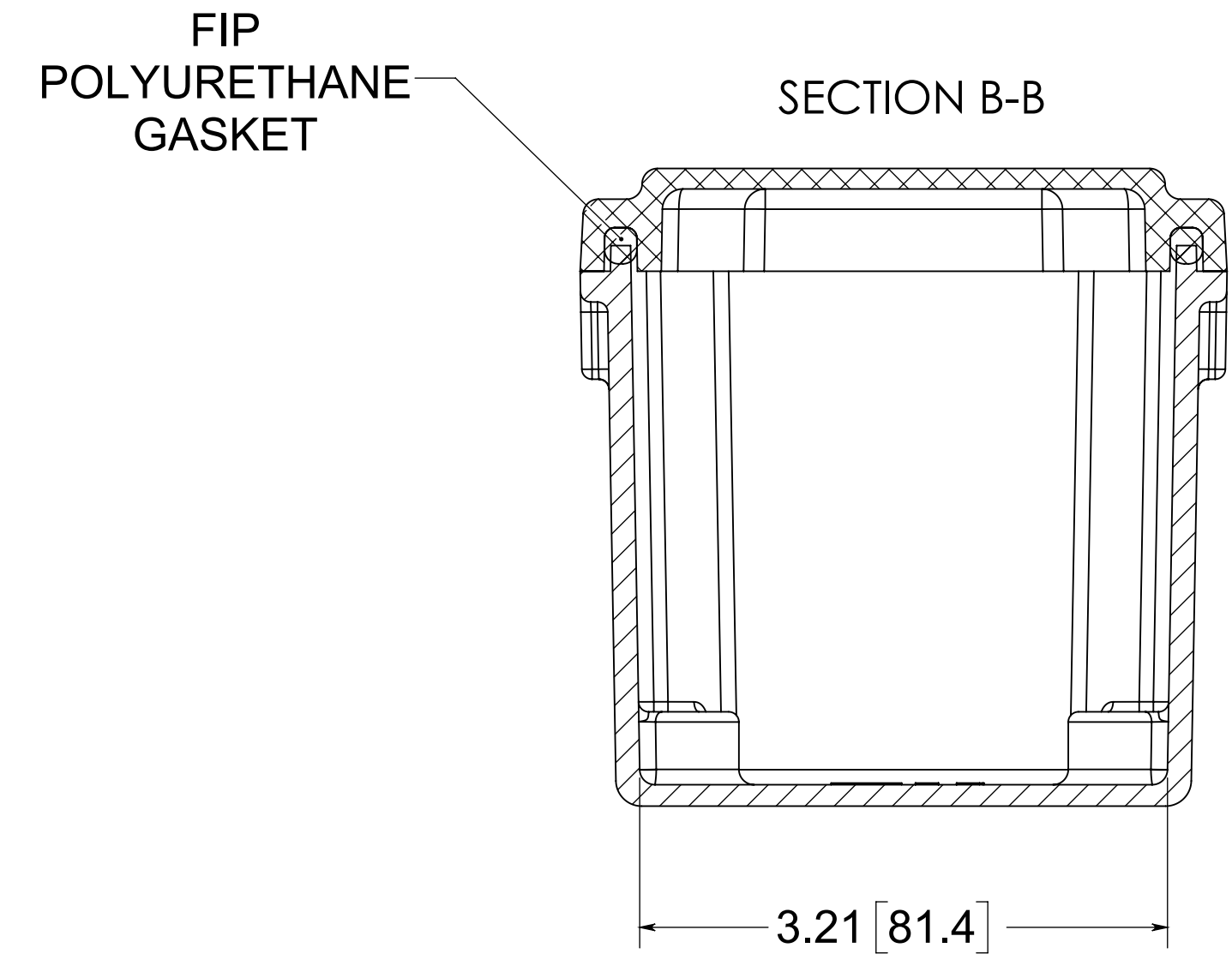
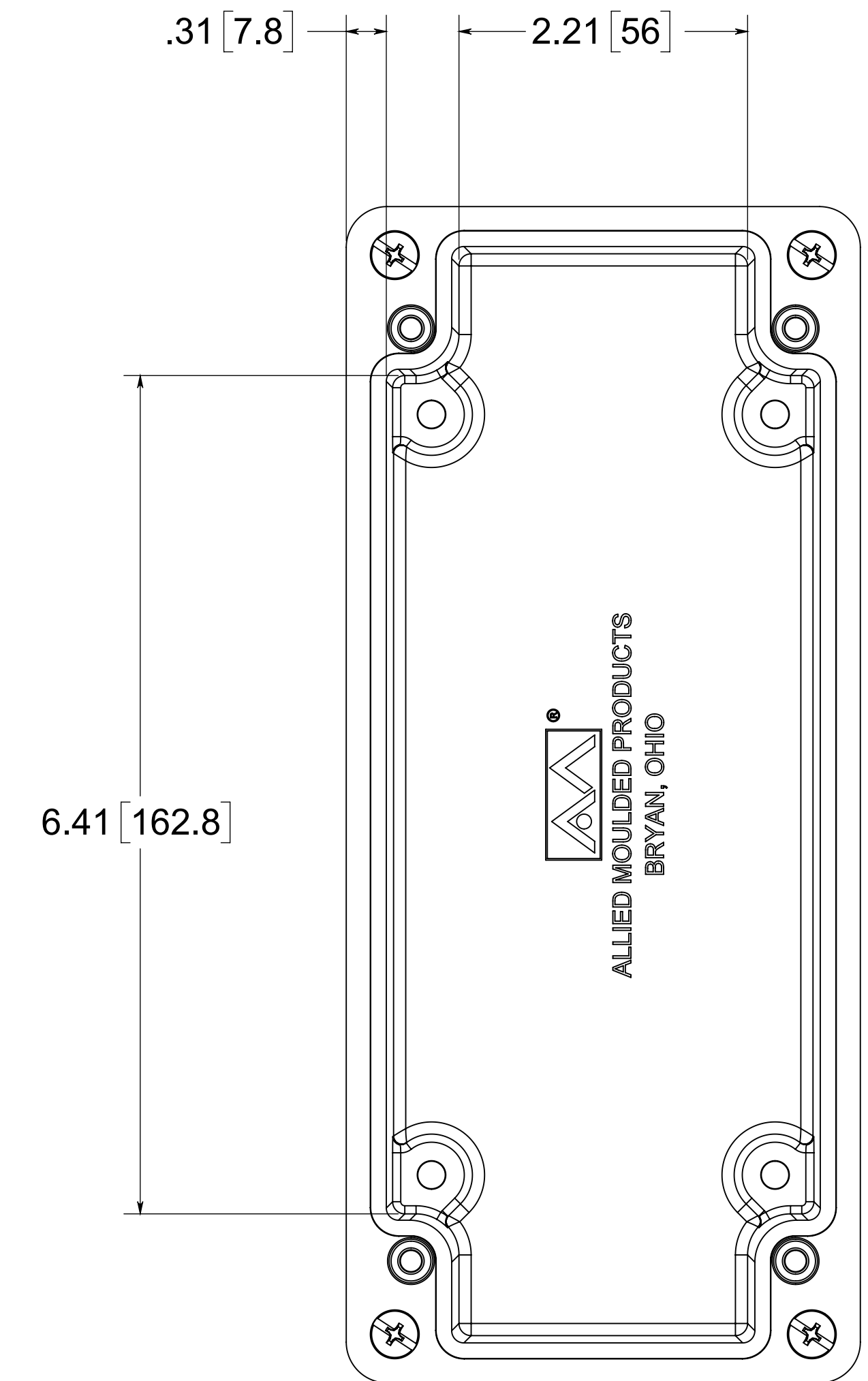
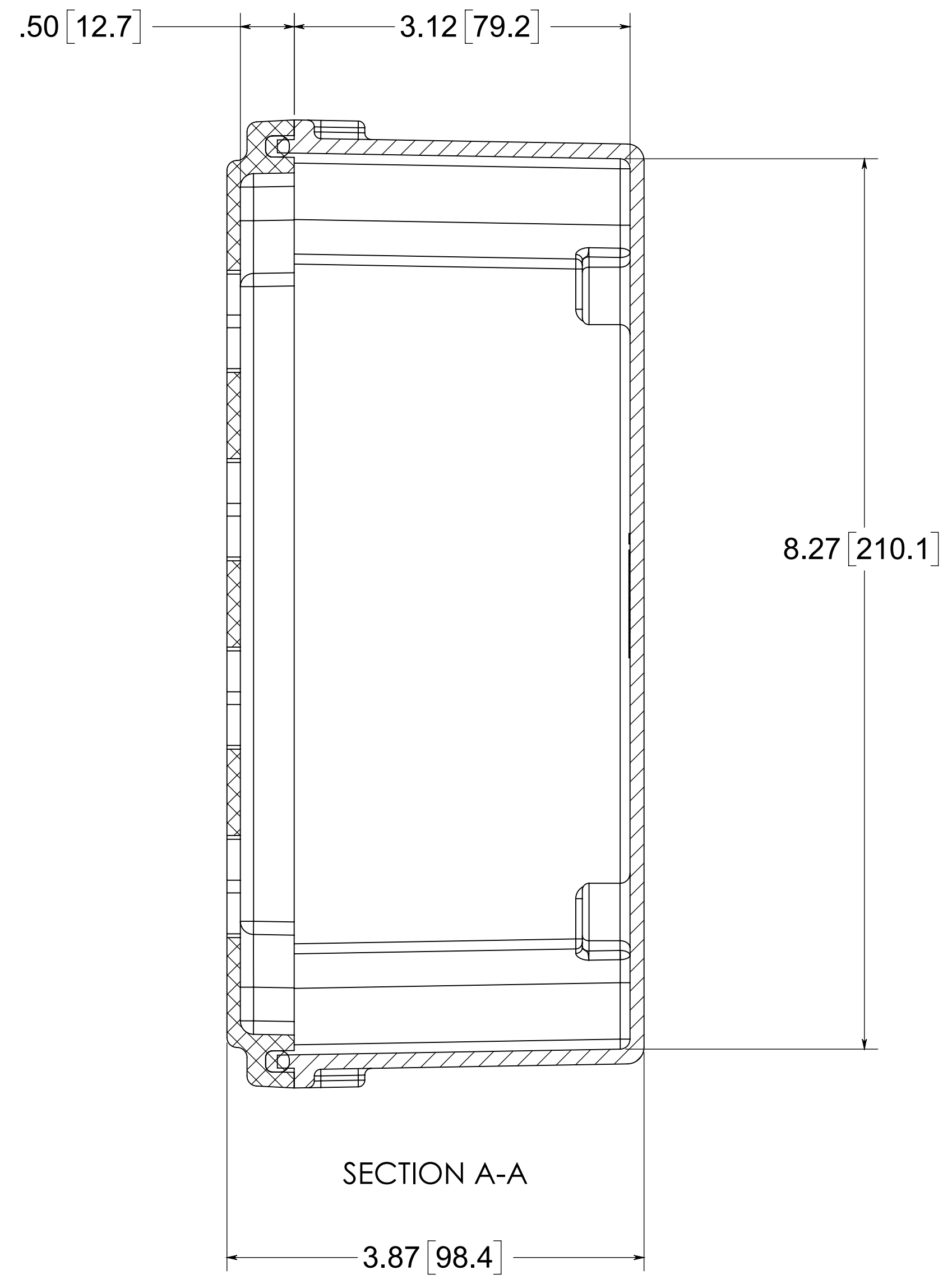


CONFIDENTIAL
 THIS MATERIAL IS OWNED BY THE ALLIED MOULDED PRODUCTS COMPANY. IT IS DISCLOSED IN CONFIDENCE AND IS NOT TO BE REPRODUCED OR DISTRIBUTED WITHOUT PRIOR WRITTEN PERMISSION FROM ALLIED MOULDED PRODUCTS.
 © Copy Allied Moulded Products, Inc. All Rights Reserved

Date	Rev	Description	ECN No.	DR	CK	REL
07/05/2017	01	INITIAL RELEASE	ECN-12131	SMZ	GFR	GEL
-	-	-	-	-	-	-
-	-	-	-	-	-	-



(4) EACH #10-32 BRASS INSERTS AND STAINLESS STEEL COVER SCREWS



DETAIL C
 SCALE 2 : 1

NOTE:
 DATA SUBJECT TO CHANGE WITHOUT NOTICE

MATERIAL:
 BOX & COVER - COMPRESSION MOLDED FIBERGLASS REINFORCED POLYESTER

DRAWING STAMP	FOR QUOTATION ONLY UNLESS OTHERWISE SPECIFIED: DIMENSIONS ARE IN INCHES	MOLD VERSION <MOLD VERSIONS>	PROJECT NO.	ASSET NO.	BOM PART NO.
	TOLERANCES: .XX = ±.01 .XXX = ±.005 FRACTIONAL ± 1/64 ANGULAR ± 0°30'	STRAIGHTNESS &/OR FLATNESS: .005" MACHINED SURFACES: 125 OR BETTER PERPEND.: ⊥ .005" CONCEN.: Ⓞ .005"	STANDARD SYMBOLS D+ = PLUS DRAFT D- = MINUS DRAFT M = MATCH DRILL ① = 1° DRAFT ③ = 3° DRAFT Ⓢ = STEEL SAFE	ALLIED MOULDED PRODUCTS BRYAN, OHIO The Original Fiber Glass Outlet Box	
		DRAWING SIZE:	DESCRIPTION AM Series DRAWN: SMZ 6/15/2017 1ST CHECK: SMZ 07/05/2017 2ND CHECK: GFR 07/13/2017 RELEASED: GEL 07/13/2017		
THIRD ANGLE PROJECTION	SHEET 1 OF 1 DO NOT SCALE	CRIB NO.:	MATERIAL: SEE BOM FINISH / HEAT TREAT: SEE NOTES PRINT NUMBER: AM4PB22 REV: 01		