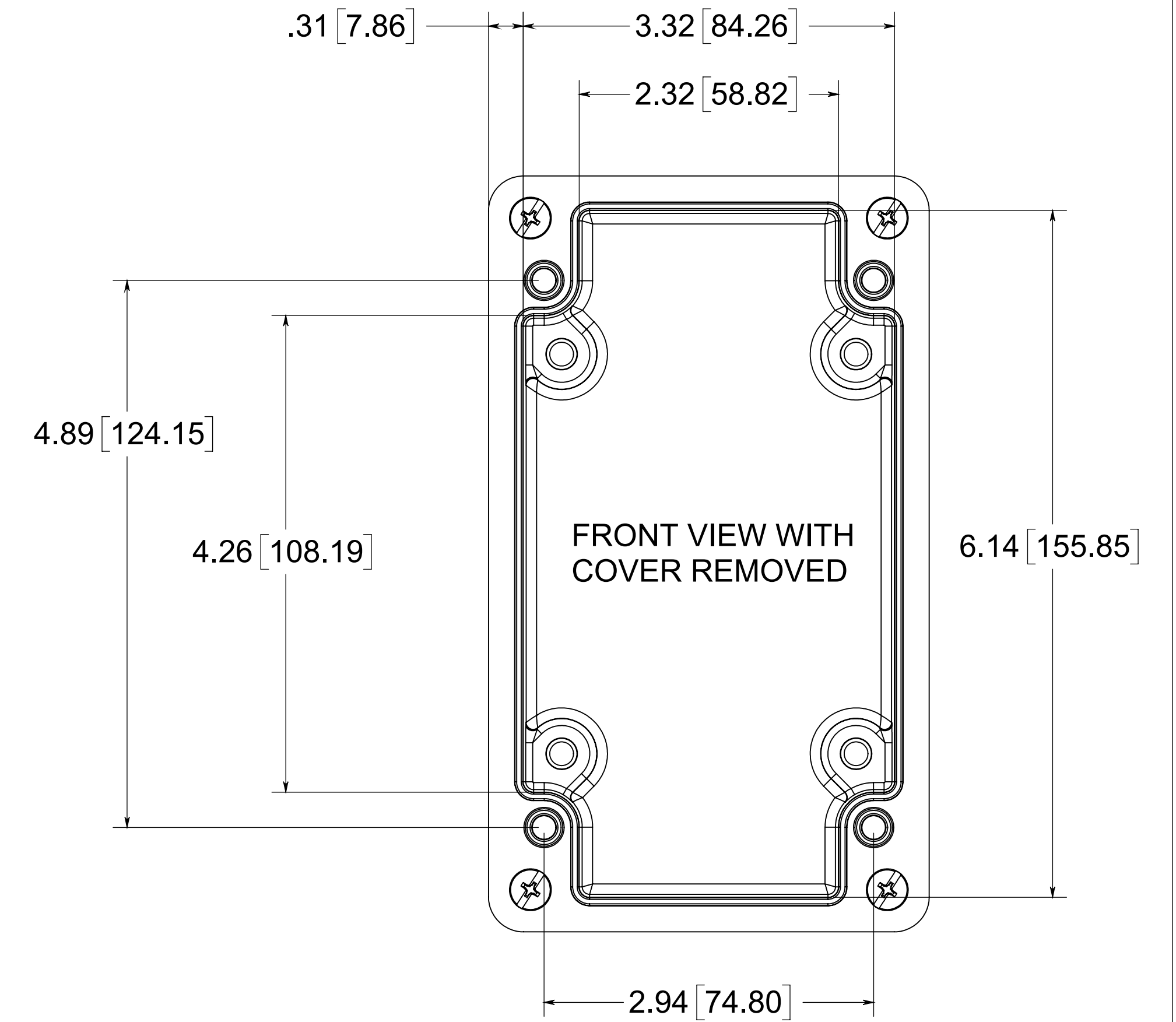
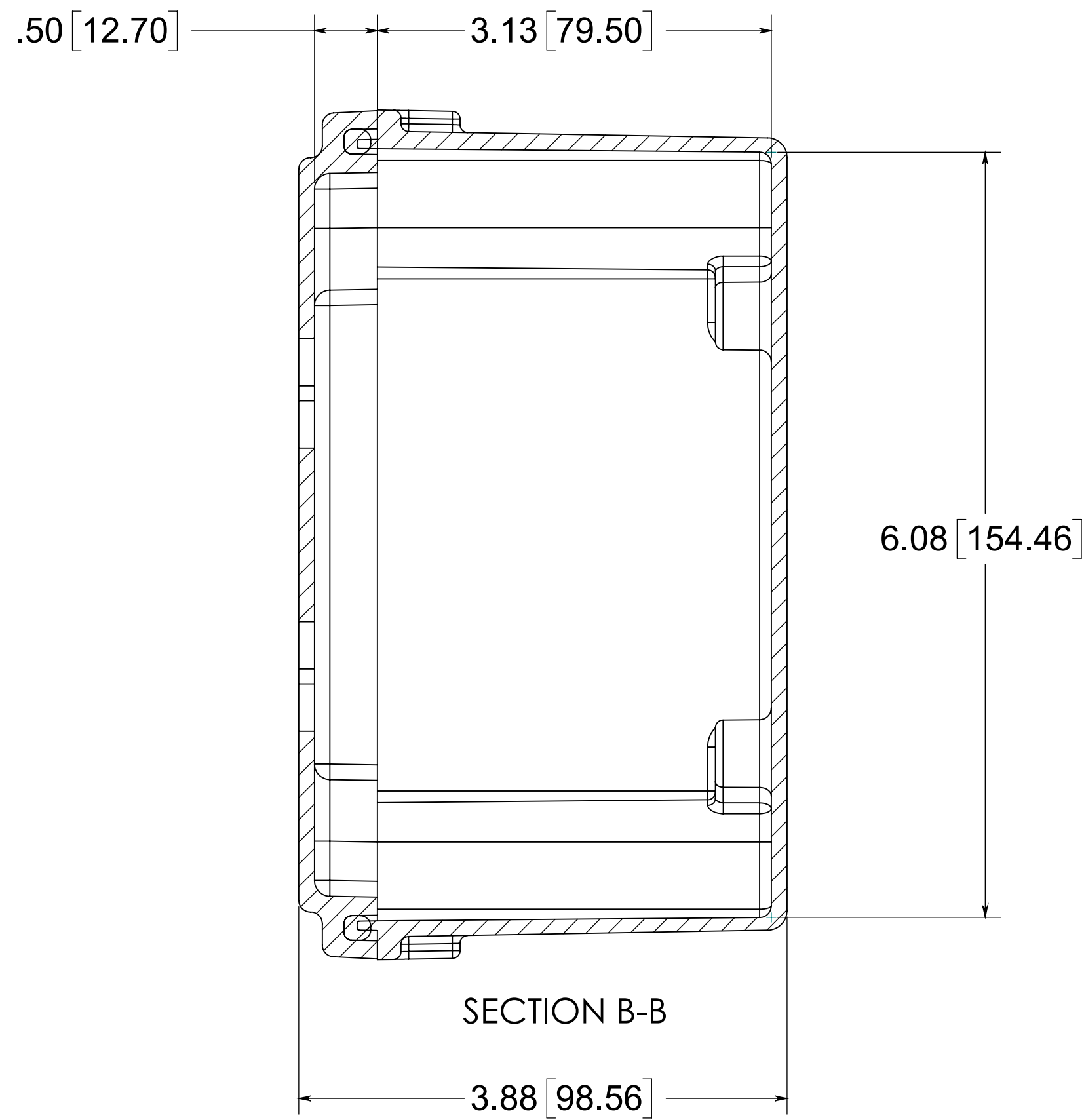
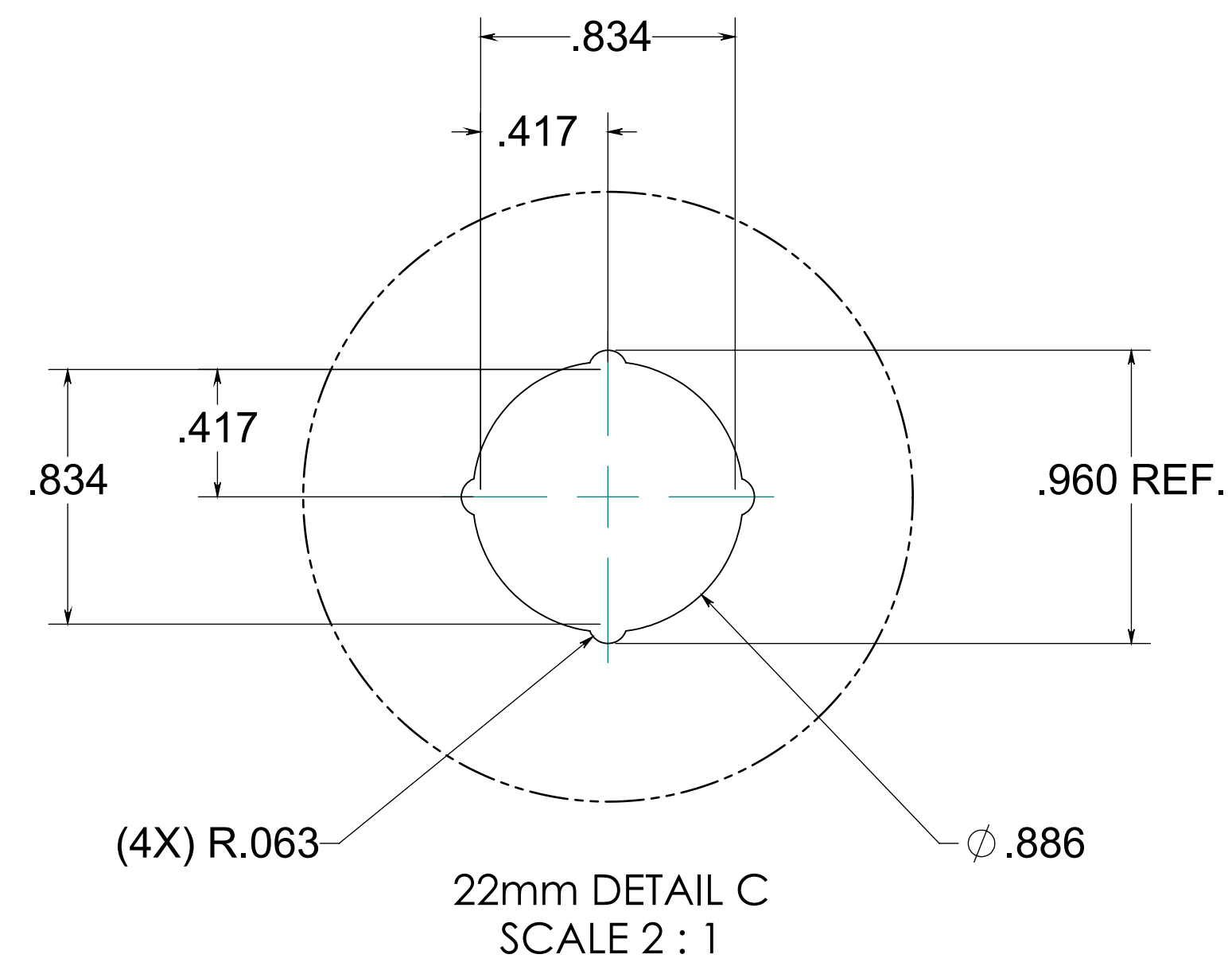
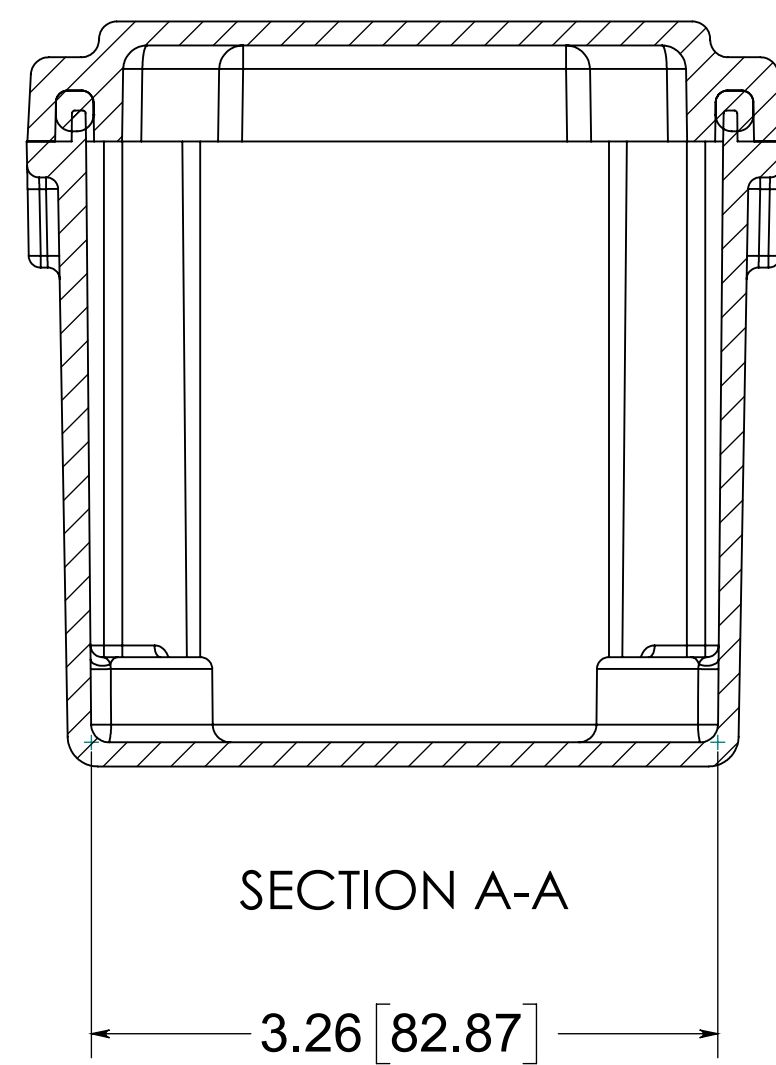


(4) EACH #10-32
BRASS INSERTS AND
STAINLESS STEEL
COVER SCREWS

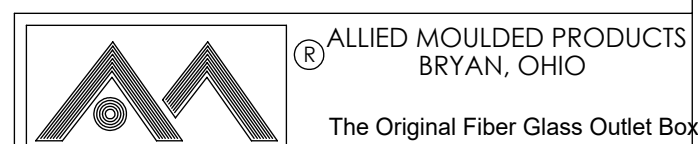


FIP
POLYURETHANE
GASKET



NOTE:
1. DATA SUBJECT TO
CHANGE WITHOUT
NOTICE

MATERIAL
BOX AND COVER- COMPRESSION MOLDED
FIBERGLASS REINFORCED POLYESTER



Description
AM Series
Part No.
AM2PB22

CONFIDENTIAL
THIS MATERIAL IS OWNED BY THE ALLIED
MOULDED PRODUCTS COMPANY, IS DISCLOSED
IN CONFIDENCE, AND IS NOT TO BE REPRODUCED
OR DISTRIBUTED WITHOUT PRIOR WRITTEN
PERMISSION FROM ALLIED MOULDED PRODUCTS.