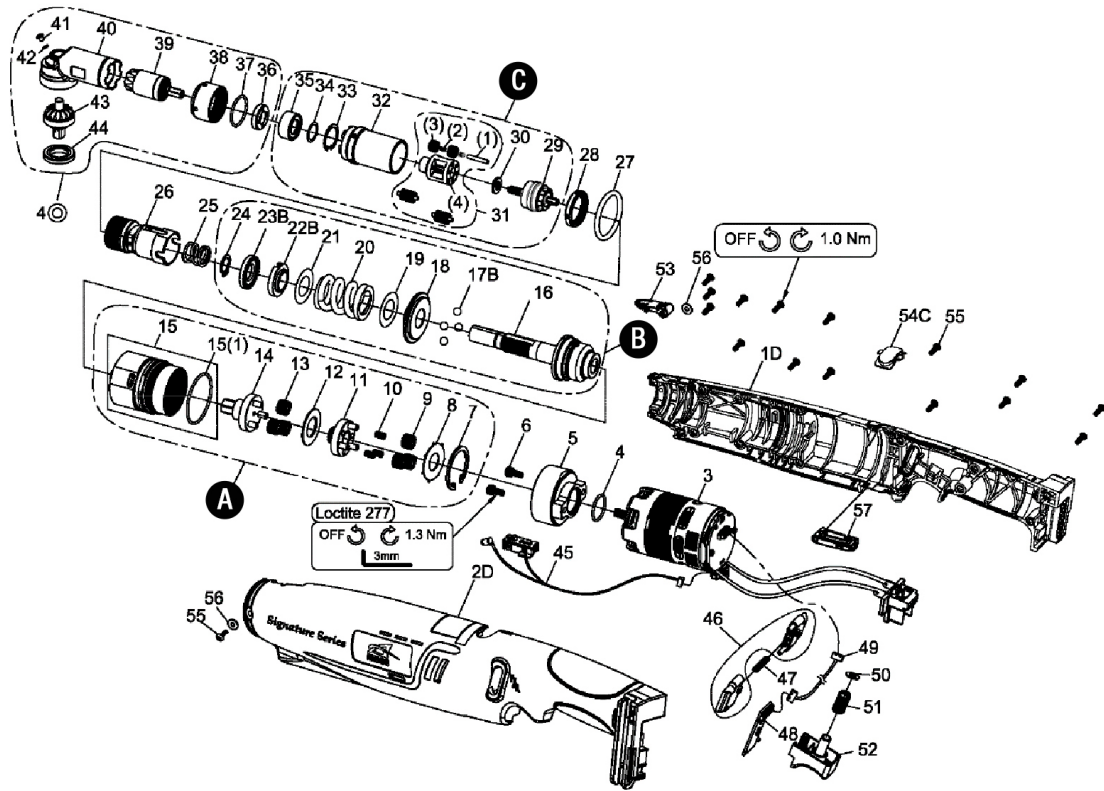


# SPC-A25038 CORDLESS SHUT OFF ANGLE TOOL

## EXPLODED VIEW



## PARTS LIST — FOR REFERENCE ONLY

Index Number	Part Number	Description	Qty.	Index Number	Part Number	Description	Qty.	Index Number	Part Number	Description	Qty.
1	32001-WRBA	Upper Housing	1	25	D48WR	Spring	1	45	B75WR	Sensor & LED Assembly	1
2	32002-WRBA	Lower Housing	1	26	B51WRB50-5	Connecting Holder Assembly	1	46	B09PW15-1#B1	F/R Valve (1 set x 2 pcs)	1
3	B83WR10	Brushless Motor Assembly w/Driver	1	27	000-4120W	Marking Ring (P32, White)	1	47	D48PW15-1	Spring	1
4	000-4110	O-Ring (16 x 1.5)	1	28	D54WRB-7#BZ	Adjust Nut	1	48	E76WR	PC Board	1
5	D51SC108B	Motor Holder	1					49	E86SC	Connector Wire	1
6	000-0242	Screw (M4 x 8L)	2					50	C39PW15-3	Washer	1
								51	D48PW15	Spring	1
<b>A</b>	B50WR10	Gear Box Unit	1	<b>C</b>	B49WRB50-7	Gear Ring Unit	1	52	B09PW15#B1	Trigger Assembly	1
7		Snap Ring (RTW-28)	1	29		Sun Gear Assembly	1	53	C10SC108B-2#B1	Cover	1
8		Washer	1	30		Washer	1	54C	33110-WRBA-02	Cover	1
9		Planet Gear	3	31		Gear Cage Assembly	1	55	000-1430C	Screw (M3 x P0.5 x 10L)	16
10		Needle Bearing	3	31(1)		Pin	3	56	000-1531B	Washer (3.3 x 8)	2
11		Gear Cage Assembly	1	31(2)		Needle Bearing	6	57	C10WRB#B1	Cover	1
12		Washer	1	31(3)		Planet Gear	6				
13		Planet Gear	3	31(4)		Gear Cage	1				
14		Gear Plate Assembly	1	32		Gear Ring	1				
15		Gear Box Assembly	1	33		Inverted Retaining Ring (1RTW-26)	1				
15(1)		O-Ring (28 x 1.5)	1	34		Washer	1				
				35		Bushing	1				
<b>B</b>	B43WR50	Clutch Unit	1	<b>D</b>	B42WRB3-50	Angle Housing Unit	1				
16		Clutch Assembly	1	36		Lock Nut	1				
17		Steel Ball (7/32")	4	37		Collar	1				
18		Washer	1	38		Lock Nut	1				
19		Washer	1	39		Main Bevel Gear Assembly	1				
20		Spring (Blue)	1	40		Angle Housing Assembly	1				
21		Washer (White)	1	41		Screw	1				
22		Adjust Washer	1	42		O-Ring (3 x 1.5)	1				
23		Adjust Nut	1	43		Bevel Gear Assembly	1				
24		Snap Ring (ISTW-12)	1	44		Lock Nut	1				

### ACCESSORIES

BB180C-320	18V Li-Ion 2.0 Ah Battery	1
B84192B	Battery Charger	1

AIMCO also offers a complete line of standard & special adapters, bits, sockets, and extensions

### FOOTNOTES



10000 SE PINE  
PORTLAND, OR 97216  
503-254-6600  
FAX 503-255-2615

When ordering spare parts, please specify tool type, part number, and description.