

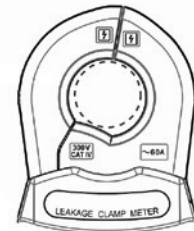
LEAKAGE CURRENT METERS & PROBES

TRMS CLAMP-ON LEAKAGE CURRENT METER

MODEL 566

Designed to measure low AC currents, which are typically leakage currents in ground conductors

1 μ A Resolution



Jaw Opening: .91" (23mm)

SPECIFICATIONS

MODEL	566	
ACmA Current (TRMS, Auto-Ranging)		
Resolution	6mA 60mA 600mA	0.001mA (1 μ A) 0.01mA (10 μ A) 0.1mA (100 μ A)
Accuracy	50 to 60Hz (6mA) 50 to 60Hz (60mA & 600mA) 60 to 500Hz (6mA) 60 to 500Hz (60mA & 600mA)	$\pm 1.0\%$ of Reading ± 8 cts $\pm 1.0\%$ of Reading ± 5 cts $\pm 2.0\%$ of Reading ± 8 cts $\pm 2.0\%$ of Reading ± 5 cts
AC Current (TRMS, Auto-Ranging)		
Resolution	6A 60A	1mA 10mA
Accuracy	50 to 60Hz 60 to 500Hz	$\pm 1.0\%$ of Reading ± 5 cts $\pm 2.0\%$ of Reading ± 5 cts
AC Voltage (TRMS)		
Accuracy	60V 600V	$\pm 1.0\%$ of Reading ± 3 cts
DC Voltage		
Resolution	60V 600V	0.01V 0.1V
Accuracy	60V 600V	$\pm 1.0\%$ of Reading ± 2 cts
Resistance	0 to 1k Ω	
Accuracy	$\pm 1.0\%$ of Reading ± 2 cts	
CONTINUITY	Buzzer activates <45 Ω (0 to 1k Ω)	
Frequency (Auto-Ranging)		
Function	A-Hz	V-Hz
Resolution	0 to 100Hz 100Hz to 1kHz	0.1Hz 1Hz
Sensitivity	10mArms min	5Vrms min
Accuracy	$\pm 0.5\%$ of Reading ± 2 cts	
Filter	On (50/60Hz only); Off (Full frequency range)	
MAX Sample Rate	100mS	
MECHANICAL		
Jaw Opening Max Conductor Size	0.91" (23mm)	
Weight	10.4 oz (296g) with batteries	
Power Source	Two 1.5V AAA batteries (included)	
ENVIRONMENTAL		
Operating Temperature	32° to 104°F (0° to 40°C); < 80% RH (non-condensing)	
SAFETY		
Safety Rating	EN 61010-1, EN 61010-2-032, 600V Cat. III	

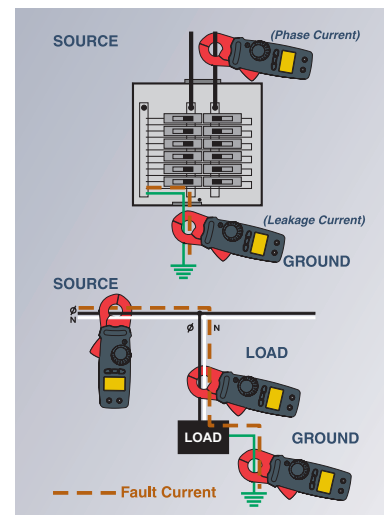


FEATURES

- Check for leakage and locate insulation breakdowns on live circuits
- Measures leakage current down to 0.001mA with up to 1 μ A resolution
- Measures current up to 60Arms
- Measures up to 600Vac/dc
- Measures Hz on either V or A inputs
- Measures resistance and continuity
- Hold feature freezes value
- MAX feature keeps track of highest measured in-rush value
- Zero button ideal for measuring relative values
- Low pass filter to isolate 50/60Hz fundamental from harmonics
- Compatible with VDE 0404
- Backlight LCD display

PRODUCT INCLUDES

(2) color-coded 5 ft test leads, carrying case, batteries and a user manual.



CATALOG NO.	DESCRIPTION
2139.83	TRMS Clamp-on Leakage Current Meter Model 566 (6/60/600mA, 1/10/100A, 600Vac/dc, Hz, Ohms, Continuity)