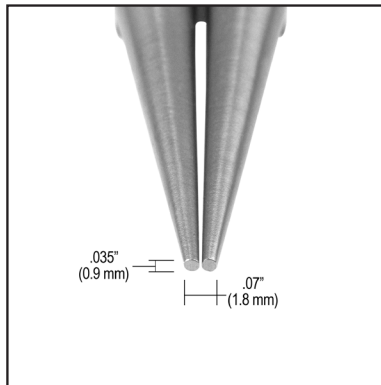
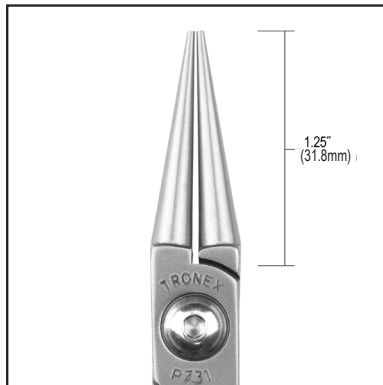




Features:

- **Application:** Round nose pliers are used in electronics and in jewelry making, primarily for making loops. Long Jaws allow for broader range of loop diameters.
- **Jaw Shape:** Round Nose
- **Material:** Carbon Steel
- **Material Hardness:** 32-33 HRC
- **Handle Grips:** Cushion Double Sheathed, ESD Safe
- **RTT Resistance:** $<1 \times 10^{11}$ ohms tested per ANSI/ESD STM11.13 Two-Point Probe, resistance measurement for static dissipative materials

Item	Handle Length	Overall Length
P731	Ergonomic	6.4 in 163 mm



Standard Profile

Unless otherwise noted, tolerance is $\pm 10\%$.



Made in the United States of America

Specifications and procedures subject to change without notice.

ROUND NOSE PLIERS LONG JAW, ERGONOMIC HANDLE

TRONEX

2860 CORDELIA RD STE 230, FAIRFIELD CA, 94534
 PHONE: (909) 627-2453
 WEBSITE: TronexTools.com

DRAWING NUMBER
P731

DATE
January 2022