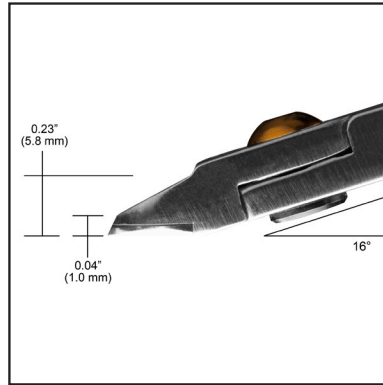
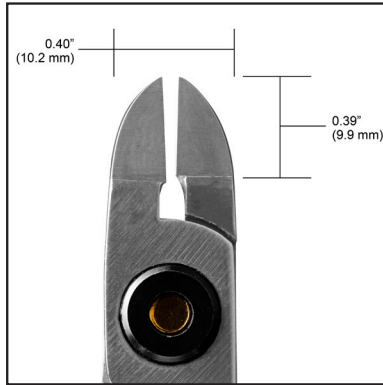




Features:

- **Application:** Designed with a dual material construction combining the high yield strength of carbon steel for the body and intense localized hardness of Tungsten Carbide for the cutting edges
- **Head Shape:** Oval Head
- **Material:** Carbon Steel body, Tungsten Carbide cutting edges
- **Material Hardness:** 79-81 HRC
- **Handle Grips:** Cushion Double Sheathed, ESD Safe
- **RTT Resistance:** $<1 \times 10^{11}$ ohms tested per ANSI/ESD STM11.13 Two-Point Probe, resistance measurement for static dissipative materials

Item	Cutting Edge	Cutting Capacity (Soft Copper Wire)	Profile	Handle Length	Overall Length
5112T	Flush	.008 in - .025 in 0.2 mm - 0.65 mm 32 - 22 AWG	Standard	Standard	4.6 in 117 mm



Standard Profile

Unless otherwise noted, tolerance is $\pm 10\%$.



Made in the United States of America

Specifications and procedures subject to change without notice.

HARD WIRE CUTTER TUNGSTEN CARBIDE EDGES OVAL FLUSH, STANDARD HANDLE

TRONEX

2860 CORDELIA RD STE 230, FAIRFIELD CA, 94534
 PHONE: (909) 627-2453
 WEBSITE: TronexTools.com

DRAWING NUMBER
5112T

DATE
November 2021