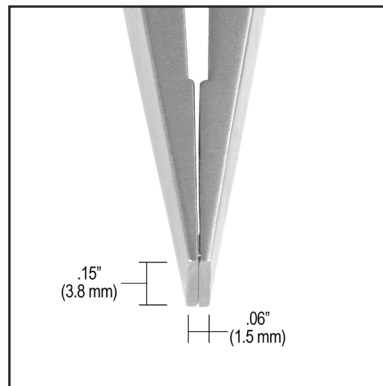
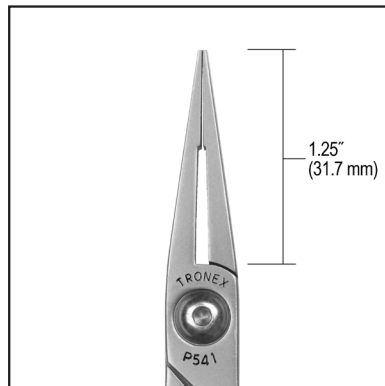




Features:

- **Application:** Flat nose pliers are used for gripping and bending wire. These pliers feature a step in the tips for additional leverage.
- **Jaw Shape:** Flat Nose
- **Material:** Carbon Steel
- **Material Hardness:** 32-33 HRC
- **Handle Grips:** Cushion Double Sheathed, ESD Safe
- **RTT Resistance:** $<1 \times 10^{11}$ ohms tested per ANSI/ESD STM11.13 Two-Point Probe, resistance measurement for static dissipative materials

| Item | Handle Length | Overall Length |
|------|---------------|------------------|
| P541 | Standard | 5.4 in 137 mm |



Standard Profile

Unless otherwise noted, tolerance is $\pm 10\%$.



Made in the United States of America

Specifications and procedures subject to change without notice.

FLAT NOSE PLIERS LONG SMOOTH JAW STEP TIP, STANDARD HANDLE

TRONEX

2860 CORDELIA RD STE 230, FAIRFIELD CA, 94534
 PHONE: (909) 627-2453
 WEBSITE: TronexTools.com

DRAWING NUMBER
P541

DATE
January 2022