

ATTENTION NOTES:

Treston Inc. takes great care in the packaging of its products; however, damage can occur during shipment. Check all packages and parts for any signs of damage. If damage is evident STOP and contact the carrier that delivered your order. Request a freight claim inspector to document the damage and begin the freight claim process.

Tools required to attach a Treston drawer unit to your Cornerstone Bench are:

- 7/16" wrench or socket with ratchet
- Utility knife
- Safety glasses and light duty protective gloves

NOTE:

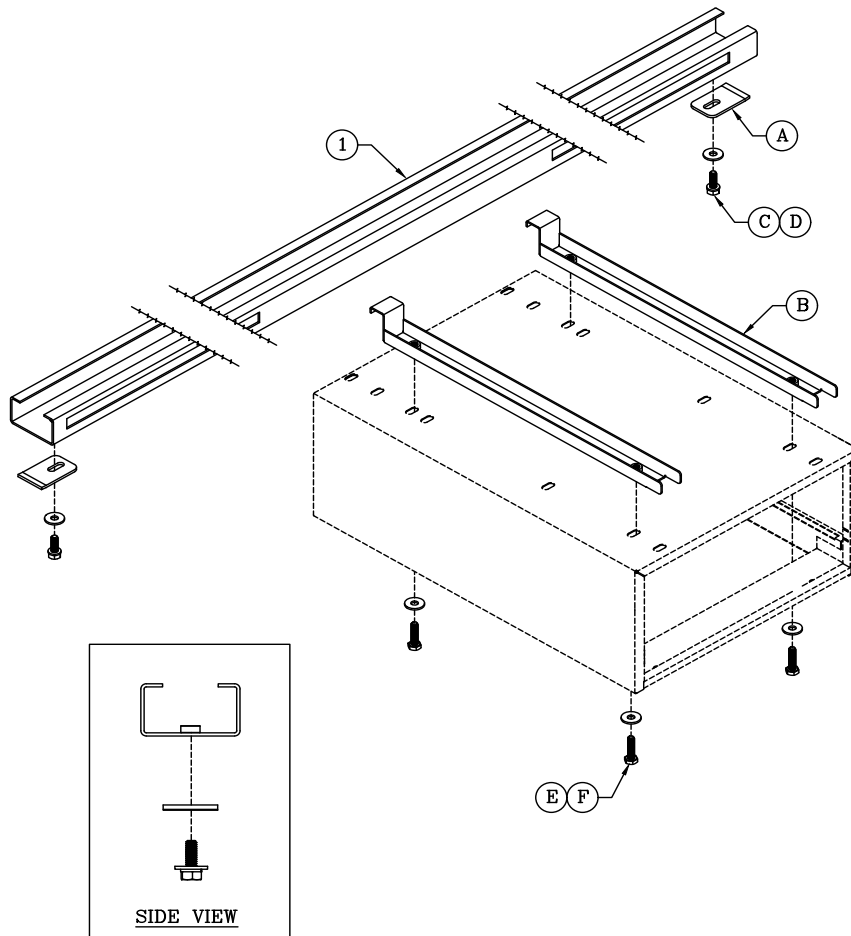
Check all parts and Hardware Kits against the itemized packing list found with the assembly instructions. If you believe there are parts missing from your order, please contact Treston customer service at 770-721-7980.

PRE-ASSEMBLY CHECK LIST

Your product has been carefully packed at the factory to prevent damage during shipment. Unpack all parts and examine them for damage. Contact your freight carrier for freight claims information if your order was shipped "freight collect" or "pre-pay and add". Contact Treston Inc. at 770-721-7980 if parts are missing.

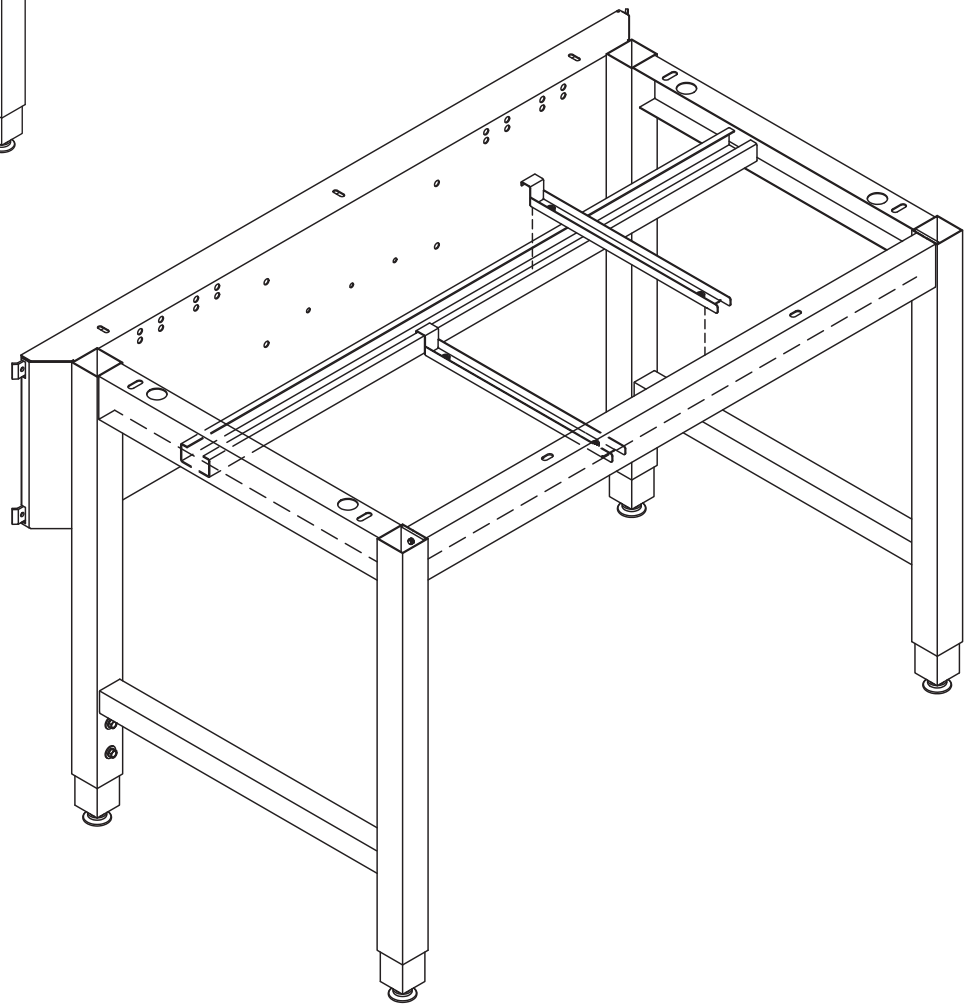
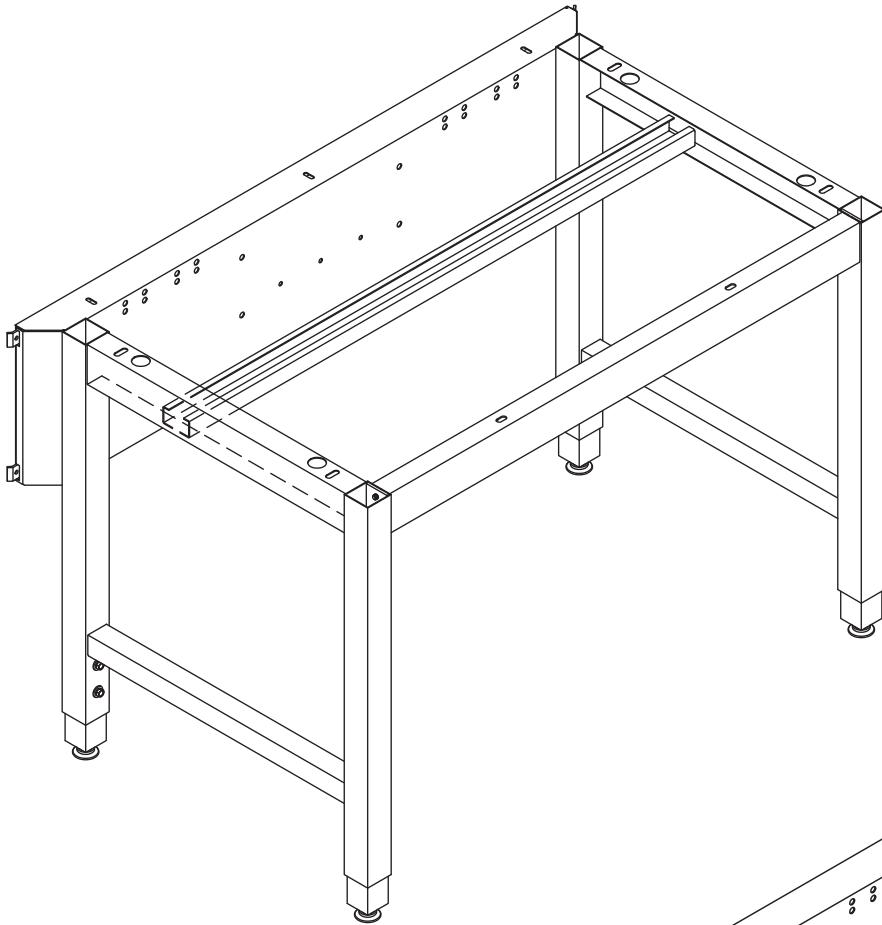
HARDWARE KIT (Order No. HWR922)

Item	Order No.	Description	Qty
1	1520002_	Drawer rail, ESD	1
A	15200005-ESD	Drawer rail hanger clip	2
B	15200006-ESD	Drawer attachment bracket	2
C	900240	1/4-20x.75 Hex Head Bolt	2
D	900210	1/4 Flat Washer	2
E	900364	1/4-20x1.00 Hex Head Bolt	4
F	900251	1/4 Flat Fender Washer	4



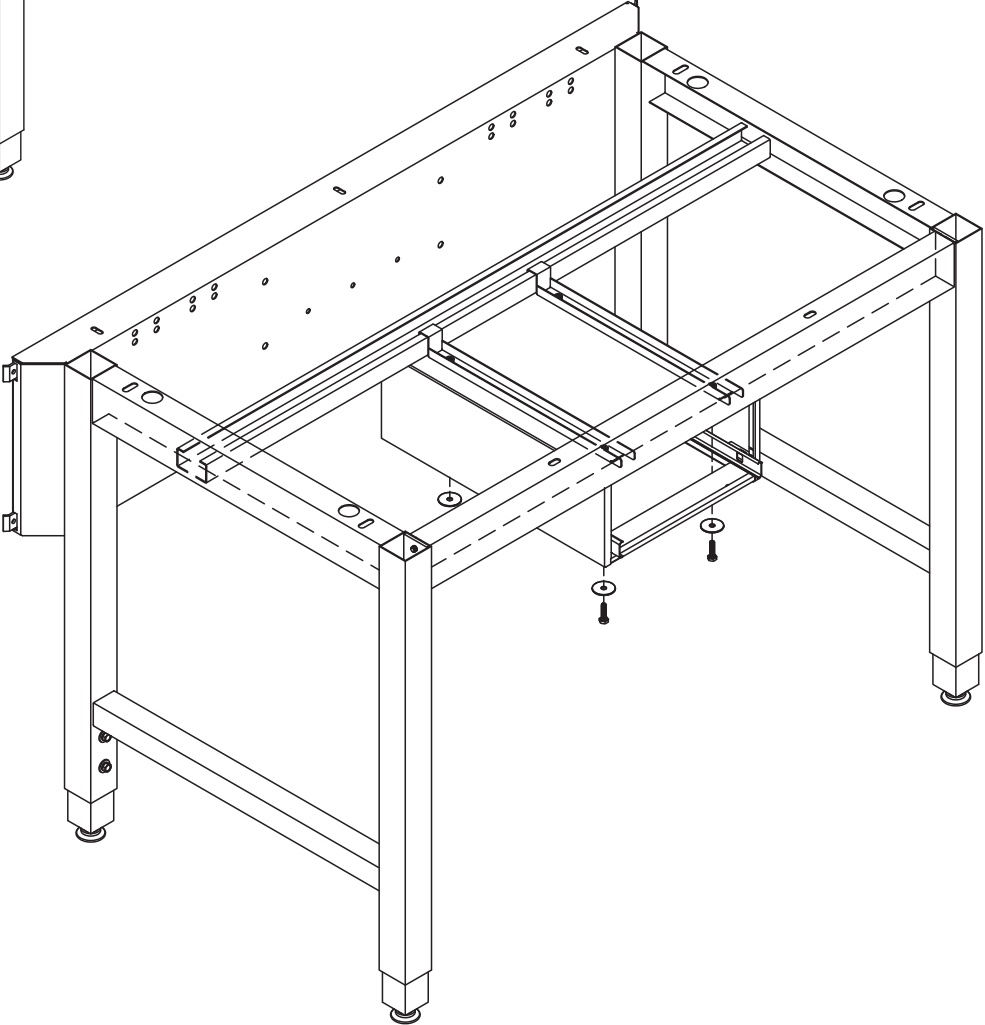
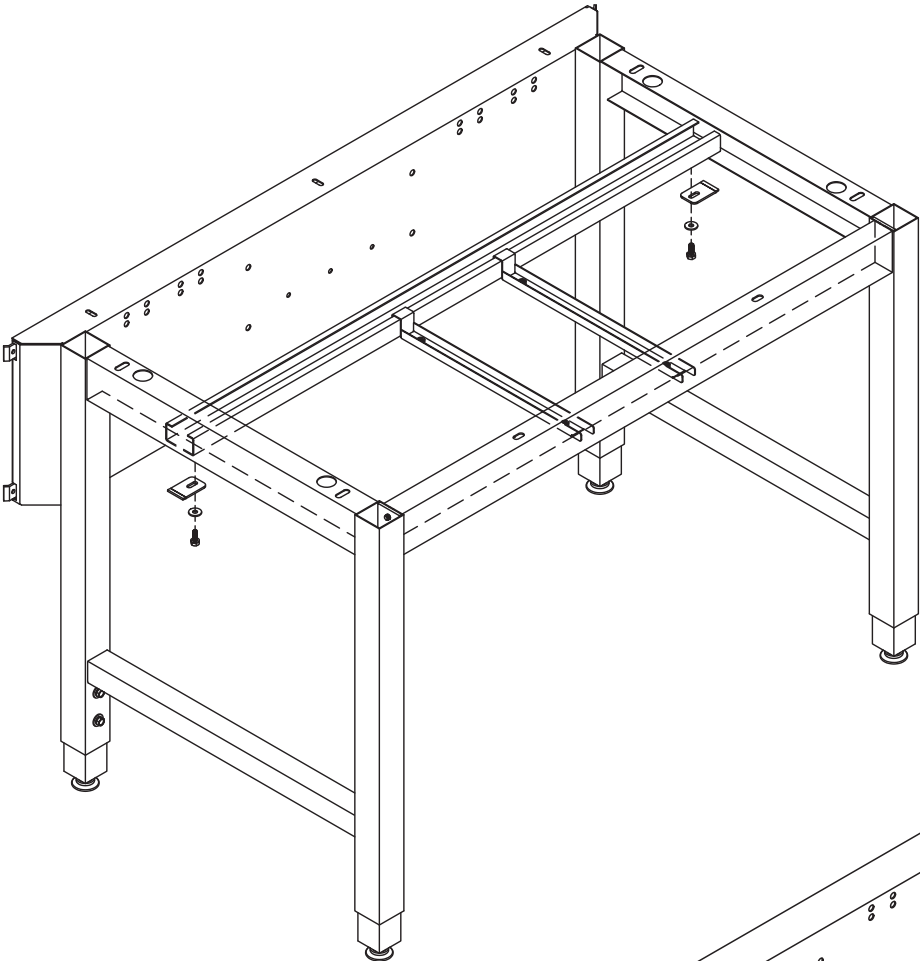
ASSEMBLY INSTRUCTIONS
Cornerstone Drawer Bracket
AI-006

06/26/2024
4 (6)



ASSEMBLY INSTRUCTIONS
Cornerstone Drawer Bracket
AI-006

06/26/2024
5 (6)



ASSEMBLY INSTRUCTIONS
Cornerstone Drawer Bracket
AI-006

06/26/2024
6 (6)

