

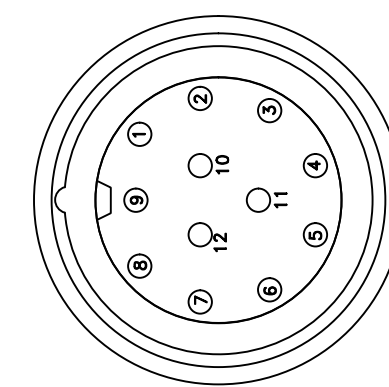
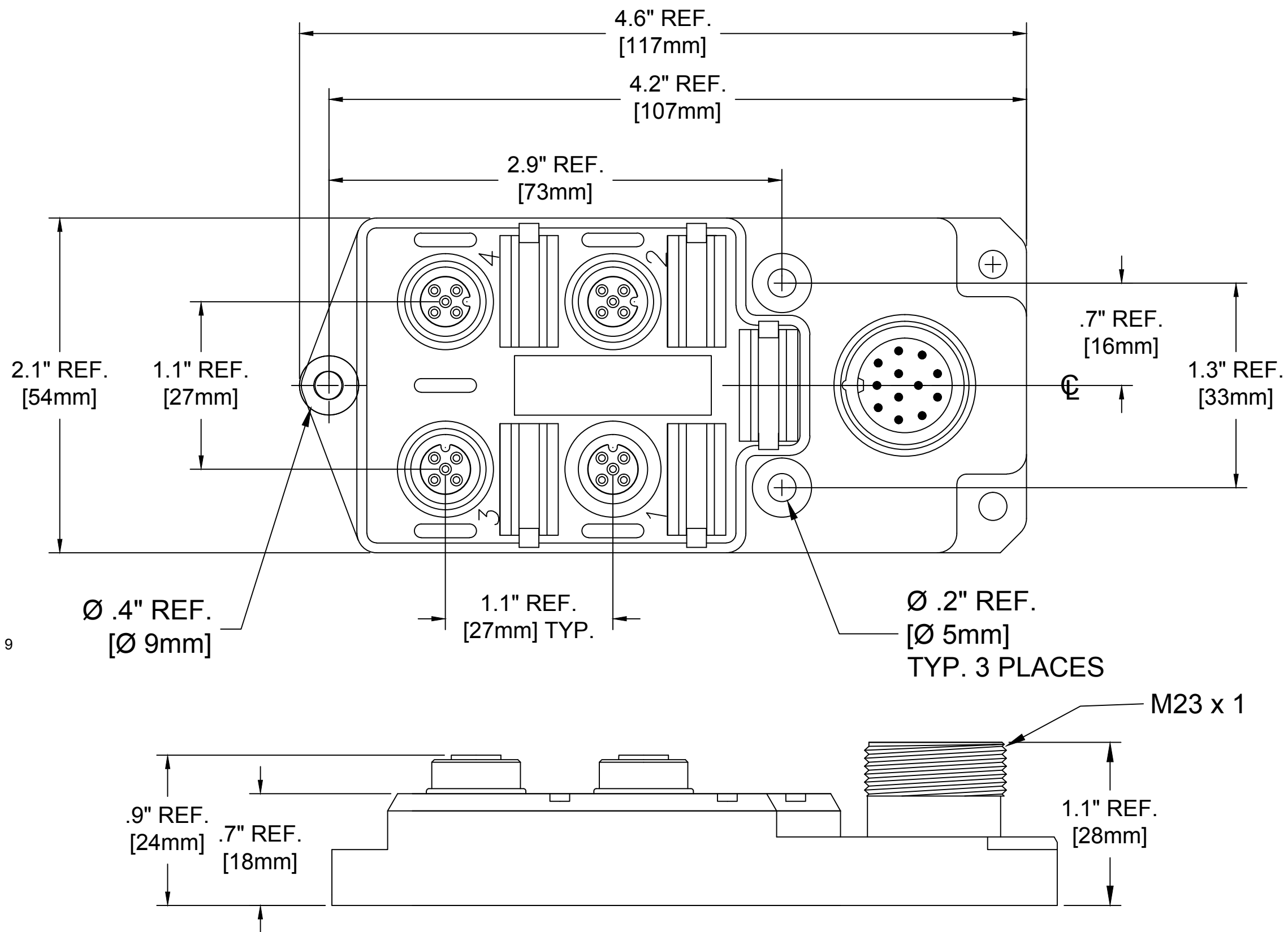
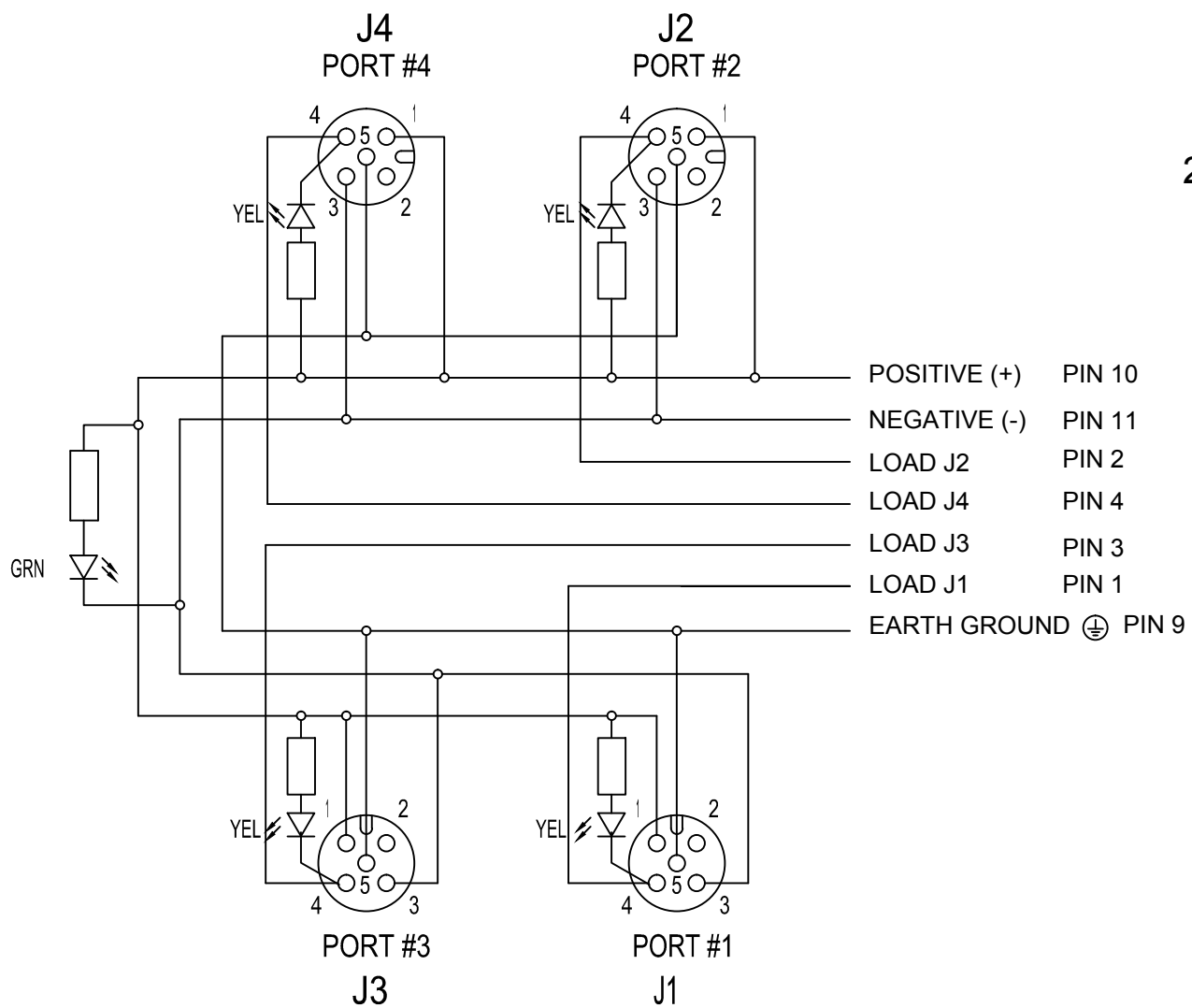
MATERIAL NUMBER

1201140211

OLD PART NUMBER

BTY401N-FBC

WIRING DIAGRAM



MALE FACE VIEW
NOTE-PINS 5,6,7,8 & 12 NOT USED

VOLTAGE RATING	10-30 VDC
AMPERAGE RATING PER PORT	4 AMPS
PROTECTION	IP67
OPERATING TEMPERATURE	-5°C TO 80°C
UL CERTIFICATIONS	UL RECOGNIZED FILE NO. E152210
CSA CERTIFICATIONS	CSA CERTIFIED, FILE NO. LR6837

COMPONENT	MATERIAL	FINISH
M12 INSERT	NYLON	BLACK
CONTACT SOCKET	COPPER ALLOY	GOLD OVER NICKEL
O-RING	VITON	RED
RECEPTACLE SHELL	BRASS	NICKEL PLATED
HOUSING	PBT	YELLOW
LABEL	ABS	WHITE
LENS	NYLON	CLEAR
M23 INSERT	PVC	GRAY
CONTACT PIN	COPPER ALLOY	GOLD OVER NICKEL
RECEPTACLE SHELL	BRASS	NICKEL PLATED

RELEASE EC NO: IFCG2014-0508 DRWN: GGUSTAFS 2013/10/30 CH'KD: VOU APPR: BWOODMAN2013/11/01 A	QUALITY SYMBOL ▽=0 ▽=0	GENERAL TOLERANCES (UNLESS SPECIFIED)		DIMENSION STYLE	SCALE	DESIGN UNITS	THIRD ANGLE PROJECTION	
				IN/MM	NTS	INCH		
		4 PLACES	±---	±---	DRAWN BY	DATE	TITLE	
		3 PLACES	±---	±.005	GGUSTAFS	2013/09/06	4 PORT MIC MPIS TOP MOUNT NPN	
2 PLACES	±0.13	±.010	CHECKED BY	DATE	12P M M23 HR CONNECTOR			
1 PLACE	±0.25	±.020	VOU	2013/10/10	MOLEX INCORPORATED			
ANGULAR ±.5°		DRAFT WHERE APPLICABLE MUST REMAIN WITHIN DIMENSIONS		APPROVED BY	DATE	MATERIAL NO.	SHEET NO.	
				BWOODMAN	2013/11/01	SEE CHART	1 OF 1	
				THIS DRAWING CONTAINS INFORMATION THAT IS PROPRIETARY TO MOLEX INCORPORATED AND SHOULD NOT BE USED WITHOUT WRITTEN PERMISSION		DOCUMENT NO.		
						SD-120114-095		