

HEADERS CODINGS

(CODING 2 SHOWN)

HEADERS CODINGS FOR MODULE T2 (32W)					
COLOR	CODING	DIM. A	DIM. B	DIM. C	DIM. D
BLACK	1	9.1	4.3	5.9	4.3
GREY	2	7.5	5.9	9.1	5.9
BROWN	3	5.9	7.5	9.1	9.1
GREEN	4	7.5	9.1	4.3	4.3
BLUE	5	4.3	7.5	5.9	5.9
YELLOW	6	9.1	7.5	4.3	7.5

(CODING 3 SHOWN)

HEADERS CODINGS FOR MODULE T3 (48W)					
COLOR	CODING	DIM. A	DIM. B	DIM. C	DIM. D
BLACK	1	12.9	6.3	8.5	6.3
GREY	2	10.7	8.5	12.9	8.5
BROWN	3	8.5	10.7	12.9	12.9
GREEN	4	10.7	12.9	6.3	6.3
BLUE	5	6.3	10.7	8.5	8.5
YELLOW	6	12.9	10.7	6.3	10.7

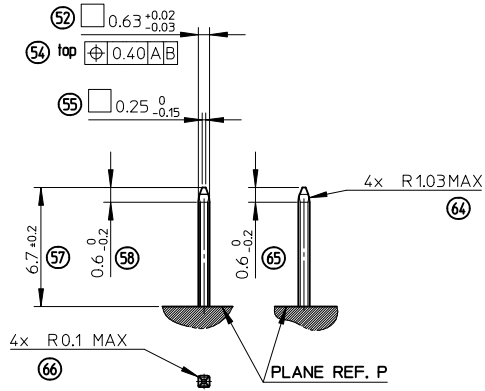
NOTE:

- 1- INTERFACE DEFINITION BASED ON NFR13-462 STANDARD.
- 2- HEADER: ELASTICITY MODULUS: 8000Mpa min. (INITIAL CONDITION BEFORE AGEING)

ENTER DESCRIPTION EC NO: G2010-0220 DRAWN: POCHELE 2010/05/20 CHKD: J. GIURIATO 2008/10/03 APPR: CBOUCHAN 2010/06/29	DESCRIPTION GENERAL TOLERANCES (UNLESS SPECIFIED) <table border="1"> <tr> <th></th> <th>m/m</th> <th>INCH</th> </tr> <tr> <td>4 PLACES</td> <td>± ---</td> <td>± ---</td> </tr> <tr> <td>3 PLACES</td> <td>± ---</td> <td>± ---</td> </tr> <tr> <td>2 PLACES</td> <td>± 0.10</td> <td>± ---</td> </tr> <tr> <td>1 PLACE</td> <td>± 0.10</td> <td>± ---</td> </tr> </table> ANGULAR ± 2° DRAFT WHERE APPLICABLE MUST REMAIN WITHIN DIMENSIONS		m/m	INCH	4 PLACES	± ---	± ---	3 PLACES	± ---	± ---	2 PLACES	± 0.10	± ---	1 PLACE	± 0.10	± ---	DIMENSION STYLE MM ONLY	SCALE 2:1	DESIGN UNITS METRIC	FIRST ANGLE PROJECTION
			m/m	INCH																
4 PLACES	± ---	± ---																		
3 PLACES	± ---	± ---																		
2 PLACES	± 0.10	± ---																		
1 PLACE	± 0.10	± ---																		
DRAWN BY: G. DESBRUERES 2008/10/02 CHECKED BY: J. GIURIATO 2008/10/03 APPROVED BY: O. PLESSIS 2008/10/06 MATERIAL NO.: N/A	DATE: 2008/10/02 DATE: 2008/10/03 DATE: 2008/10/06	TITLE: INTERFACES FOR CONNECTOR 32 & 48 CKT CMC GENERIC SALES DRAWING	MOLEX INCORPORATED	DOCUMENT NO.: SD-98644-006	SHEET NO.: 1 OF 3															

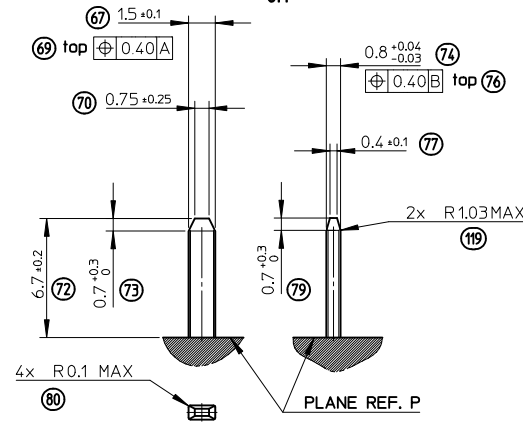
PINS 0.635 DEFINITION

5:1



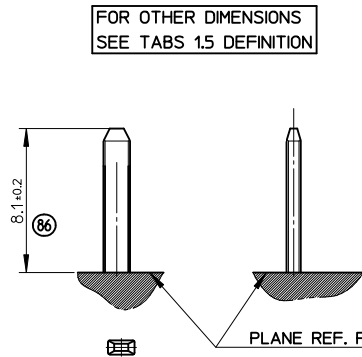
TABS 1.5 DEFINITION

5:1



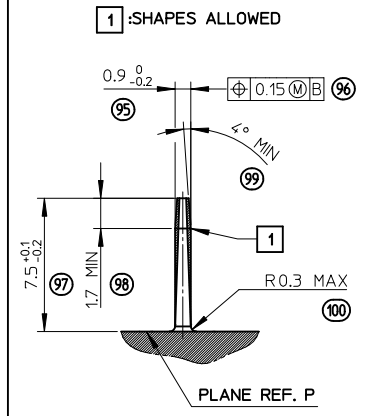
GROUND TABS 1.5 DEFINITION

5:1



PROTECTION WALL DEFINITION

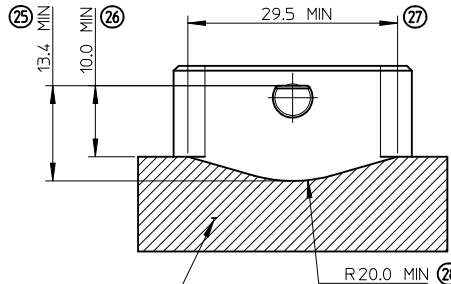
5:1



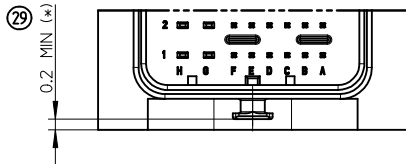
LOCKING AXIS PROTECTION

2:1

MANDATORY OVERTHICKNESS: dimension noted (*) IF THE LOCKING AXIS ARE OUT OF EQUIPMENT OVERALL DIMENSIONS.

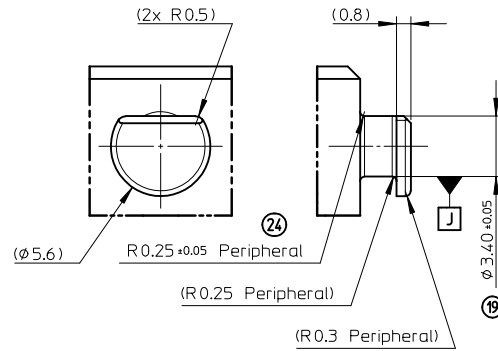


ADMISSIBLE SHAPES WITH OVERTHICKNESS 0.2 MIN (*)



LOCKING AXIS DEFINITION

5:1



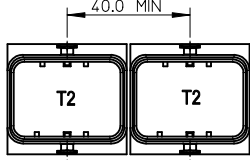
ENTER DESCRIPTION EC NO: G2010-0220 DRAWN: P. CHELE 2010/05/20 CHKD: J. GIURIATO 2008/10/03 APPR: C. BOUCHAN 2010/06/29	GENERAL TOLERANCES (UNLESS SPECIFIED)		DIMENSION STYLE MM ONLY		SCALE 1:1	DESIGN UNITS METRIC	FIRST ANGLE PROJECTION
	4 PLACES	± ---	± ---	DRAWN BY G. DESBRUERES	DATE 2008/10/02	TITLE INTERFACES FOR CONNECTOR 32 & 48 CKT CMC GENERIC SALES DRAWING	
	3 PLACES	± ---	± ---	CHECKED BY J. GIURIATO	DATE 2008/10/03	MOLEX INCORPORATED	
	2 PLACES	± 0.10	± ---	APPROVED BY O. PLESSIS	DATE 2008/10/06	DOCUMENT NO. SD-98644-006	SHEET NO. 2 OF 3
1 PLACE	± 0.10	± ---	MATERIAL NO. N/A		THIS DRAWING CONTAINS INFORMATION THAT IS PROPRIETARY TO MOLEX INCORPORATED AND SHOULD NOT BE USED WITHOUT WRITTEN PERMISSION		
DRAFT WHERE APPLICABLE MUST REMAIN WITHIN DIMENSIONS							

CONNECTOR ON HEADER - OVERALL DIMENSIONS

MULTI-HEADERS LAYOUT

LAYOUT FOR TWO INTERFACES T2 (32W)

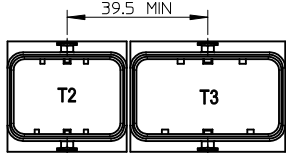
FOR SAME HARNESS EXIT CONFIGURATION



FOR OPPOSITE HARNESS EXIT CONFIGURATION

LAYOUT FOR TWO INTERFACES T2 (32W) AND T3 (48W)

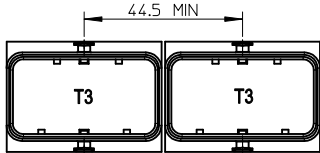
FOR SAME HARNESS EXIT CONFIGURATION



FOR OPPOSITE HARNESS EXIT CONFIGURATION

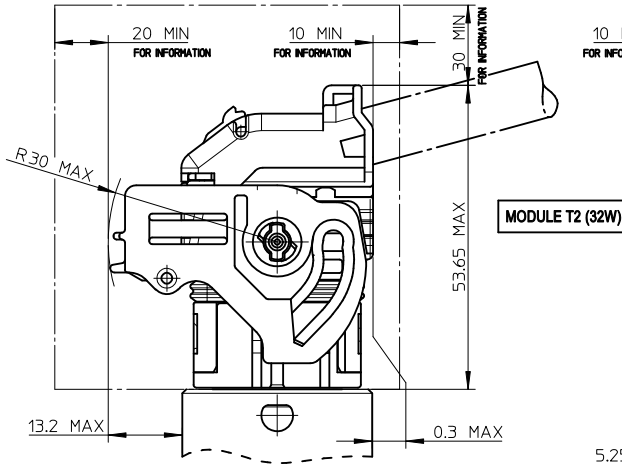
LAYOUT FOR TWO INTERFACES T3 (48W)

FOR SAME HARNESS EXIT CONFIGURATION

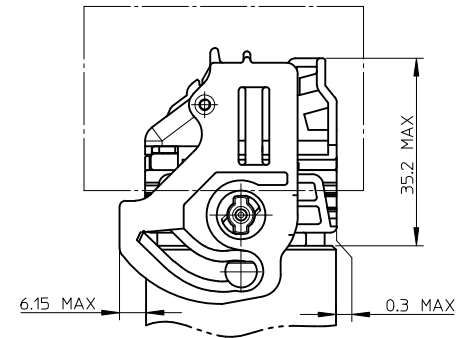


FOR OPPOSITE HARNESS EXIT CONFIGURATION

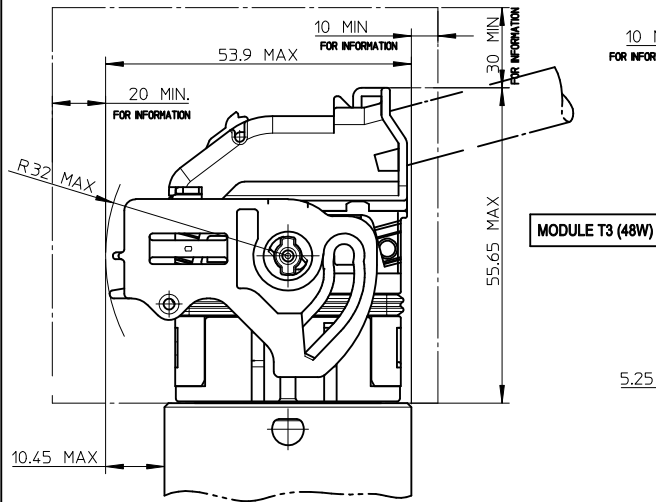
UNLOCKED CONNECTOR - OVERALL DIMENSIONS



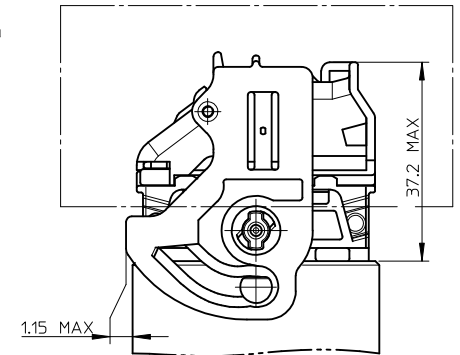
LOCKED CONNECTOR - OVERALL DIMENSIONS



UNLOCKED CONNECTOR - OVERALL DIMENSIONS



LOCKED CONNECTOR - OVERALL DIMENSIONS



NOTE:
1- T2 = 32 WAY / T3 = 48 WAY

LEGEND:



FREE VOLUME FOR MANUAL LOCKING AND UNLOCKING
DIMENSIONS GIVEN FOR INFORMATION ONLY TO BE
CONFIRMED BASED UPON VEHICLE CONFIGURATION.

REV	DESCRIPTION
0	ENTER DESCRIPTION
1	EC NO: G2010-0220
2	DRWN: PDECHELE 2010/05/20
3	CHKD: J. GIURIATO 2008/10/03
4	APPR: EBOULCHAN 2010/06/29

GENERAL TOLERANCES (UNLESS SPECIFIED)

	mm	INCH
4 PLACES	± 0.10	± 0.004
3 PLACES	± 0.15	± 0.005
2 PLACES	± 0.20	± 0.008
1 PLACE	± 0.30	± 0.012
ANGULAR ± 2 °		

DRAFT WHERE APPLICABLE
MUST REMAIN
WITHIN DIMENSIONS

DIMENSION STYLE

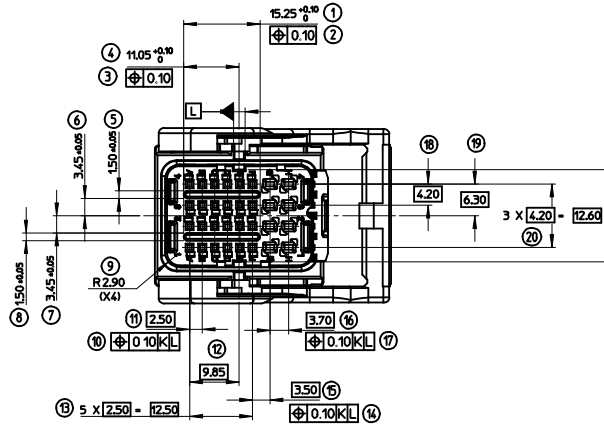
MM ONLY	DATE
DRAWN BY	G. DESBRUERES 2008/10/02
CHECKED BY	J. GIURIATO 2008/10/03
APPROVED BY	O. PLESSIS 2008/10/06
MATERIAL NO.	N/A

SCALE 1:1 **DESIGN UNITS** METRIC **FIRST ANGLE PROJECTION**

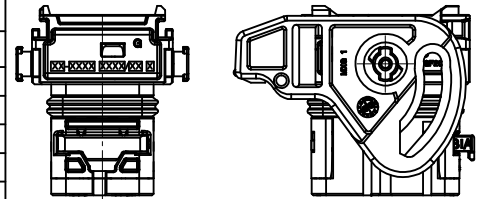
TITLE	SHEET NO.
INTERFACES FOR CONNECTOR 32 & 48 CKT CMC GENERIC SALES DRAWING	3 OF 3
MOLEX MOLEX INCORPORATED	
DOCUMENT NO. SD-98644-006	

SIZE A2
THIS DRAWING CONTAINS INFORMATION THAT IS PROPRIETARY TO MOLEX
INCORPORATED AND SHOULD NOT BE USED WITHOUT WRITTEN PERMISSION

[X] INDICATION DIMENSIONS S.P.C
 DENOTES S.P.C DIMENSIONS
 ● INDICATION DIMENSIONS CRITIQUES
 DENOTES CRITICAL DIMENSIONS
 ● INDICATION DIMENSIONS FONCTIONNELLES
 DENOTES FUNCTIONAL DIMENSIONS
 QUANTITE PAR FEUILLE INDIVIDUELLE
 QUANTITY PER INDIVIDUAL SHEET
 [X] = 0 [X] = 0 [●] = 3

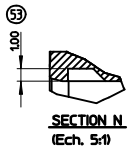
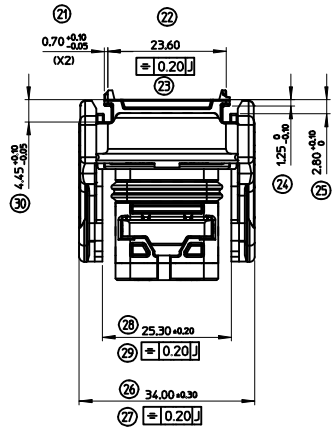


PORTE-CLIPS 32 VOIES SORTIE DROITE FEMALE MODULE 32 WAY RIGHT WIRE OUTPUT	
REF. MOLEX / MOLEX P/N	COULEUR/COULEUR
0989442001	NOIR/BLACK
0989442002	GRIS/GREY
0989442003	MARRON/BROWN
0989442004	VERT/GREEN
0989442005	BLEU/BLUE
PORTE-CLIPS 32 VOIES SORTIE GAUCHE FEMALE MODULE 32 WAY LEFT WIRE OUTPUT	
REF. MOLEX / MOLEX P/N	COULEUR/COULEUR
0989443001	NOIR/BLACK
0989443002	GRIS/GREY
0989443003	MARRON/BROWN
0989443004	VERT/GREEN
0989443005	BLEU/BLUE

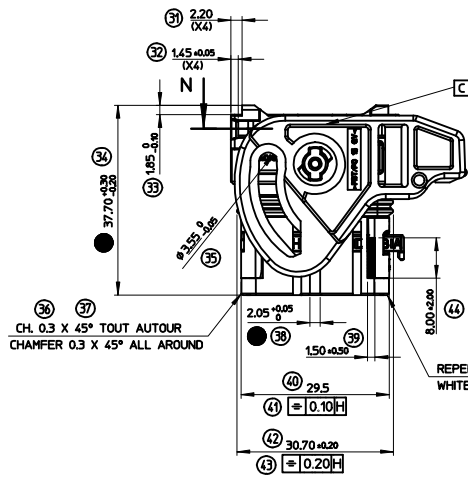


(LEVIER NON REPRESENTE)
(LEVER NOT SHOWN)

LETTRE G VISIBLE, SORTIE GAUCHE
LETTER G VISIBLE, LEFT WIRE OUTPUT



SECTION N
(Ech. 5:1)

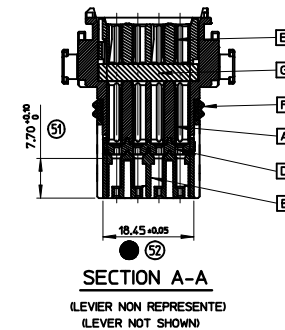
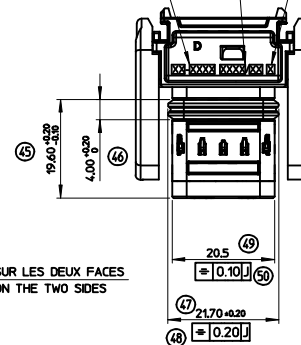


CH. 0.3 X 45° TOUT AROUND
CHAMFER 0.3 X 45° ALL AROUND

REPERE BLANC SUR LES DEUX FACES
WHITE MARKING ON THE TWO SIDES

REFERENCE MOLEX
MOLEX PART NUMBER

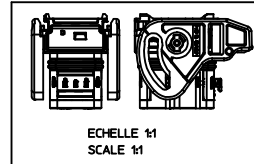
QUANTIEME/ANNEE DE L'ASSEMBLAGE
DAY IN YEAR/YEAR OF ASSEMBLY
INDICE DE REVISION DU PLAN CLIENT
CUSTOMER DRAWING REVISION LEVEL



SECTION A-A
(LEVIER NON REPRESENTE)
(LEVER NOT SHOWN)

NOTES:

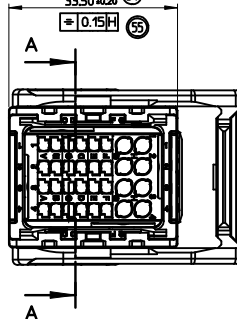
- LE PORTE-CLIPS ASSEMBLE REPRESENTE EST LA VERSION SORTIE DROITE CODAGE 1
FOR ILLUSTRATION PURPOSE THE FEMALE MODULE SHOWN IS THE RIGHT WIRE OUTPUT VERSION CODING 1
- IMPLANTATION DES CLIPS, ENCOMBREMENTS, DETROMPAGE SUIVANT INTERFACE CONNECTIQUE PSA STE 9629500099 ET RENAULT 7710 001 079
CLIPS LAYOUT, CODING FOLLOWING PSA INTERFACE CONNECTIQUE STE 9629500099 AND RENAULT 7710 001 079
- REFERENCE DES CONNEXIONS SUIVANT STE 9637276380 ET STE 9628421380
TERMINAL PART NUMBER FOLLOWING STE 9637276380 AND STE 9628421380
- PRODUIT CONFORME A LA SPECIFICATION PSA STE 9629568099
PRODUCT IN ACCORDANCE WITH PSA SPECIFICATION STE 9629568099
- CAHIER DE PRECONISATION : RAS-98644-005
APPLICATION SPECIFICATION : RAS-98644-005
- LE PORTE-CLIPS EQUIPE S'ASSEMBLE AVEC LE CAPOT REFERENCE : 0986491003
THE ASSEMBLED FEMALE MODULE IS ASSEMBLED WITH THE COVER PART NUMBER : 0986491003
- POIDS PIECE: 30,275 g
PART WEIGHT: 30.275 g



ECHELLE 1:1
SCALE 1:1

2	C2
1	C2
SHT	REV

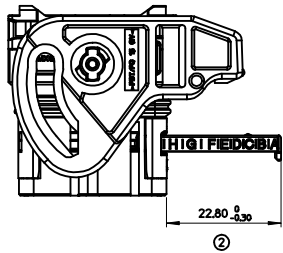
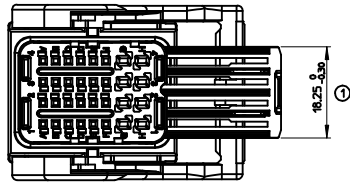
0986570001	G	JOINT GEL GROMMET GEL GROMMET SEAL	SILICONE	BLEU/BLUE
0986560001	F	JOINT INTERFACIAL PERIMETER SEAL	SILICONE	BLEU/BLUE
0986481001	E	GRILLE DE COMPRESSION REAR SEAL COVER	PBTP 20% GF.	BLEU/BLUE
0986471001	D	DOUBLE VERROUILLAGE SECONDARY LOCKING	PBTP 30% GF.	VERT/GREEN
0986461001	C	LEVIER/LEVER	PBT/PC 15% GF.	GRIS/GREY
0986451005	B	BOTIER INFERIEUR BOTTOM HOUSING	PBTP 20% GF.	BLEU/BLUE
0986451004				VERT/GREEN
0986451003				MARRON/BROWN
0986451002				GRIS/GREY
0986451001	A	BOTIER SUPERIEUR TOP HOUSING	PBTP 20% GF.	NOIR/BLACK
REF. MOLEX MOLEX PART NUMBER	REP.	DESIGNATION	MATIERE/MATERIAL	COULEUR/COULEUR



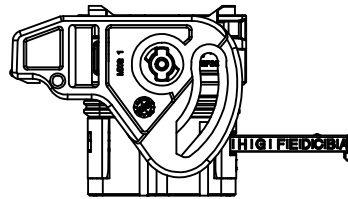
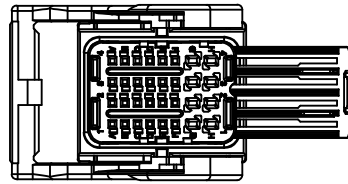
EC NO.: G2009-0313 DRW: PGRANICLZ009/06/18 CHKD: PDECHELEZ009/06/18 APPR: CBOUCHANZ009/06/18	GENERAL TOLERANCES (UNLESS SPECIFIED)	SCALE 2:1	DESIGN UNITS METRIC	FIRST ANGLE PROJECTION	REVISE ON CAD ONLY	
	4 PLACES ± --- ± --- 3 PLACES ± --- ± --- 2 PLACES ± 0.10 ± --- 1 PLACE ± 0.15 ± ---	MM INCH MM ONLY	DIMENSION STYLE	TITLE	PORTE-CLIPS 32 VOIES CMC FEMALE MODULE CMC 32 WAY SALES DRAWING	
	ANGULAR ± 1°	DRAWN BY PGR	DATE 99/12/12	CHECKED BY PDE	DATE 00/02/02	MATERIAL NO. SEE CHART
DRAFT WHERE APPLICABLE MUST REMAIN WITHIN DIMENSIONS		APPROVED BY CBO	DATE 00/02/02	DOCUMENT NO. SD-98944-010	SHEET NO. 1 OF 2	
THIS DRAWING CONTAINS INFORMATION THAT IS PROPRIETARY TO MOLEX INCORPORATED AND SHOULD NOT BE USED WITHOUT WRITTEN PERMISSION						

ENCOMBREMENT PORTE-CLIPS D.V. POSITION MONTAGE CLIP
FEMALE MODULE LAYOUT SECONDARY LOCKING POSITION FOR CLIP ASSEMBLY

PORTE-CLIPS SORTIE DROITE
FEMALE MODULE RIGHT WIRE OUTPUT

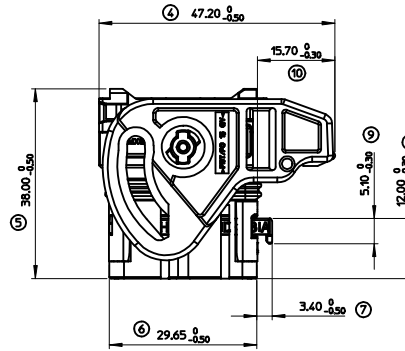
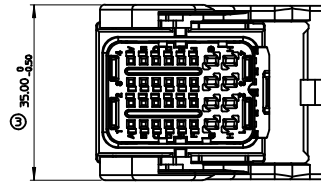


PORTE-CLIPS SORTIE GAUCHE
FEMALE MODULE LEFT WIRE OUTPUT

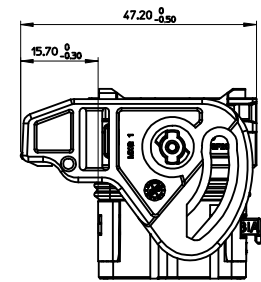
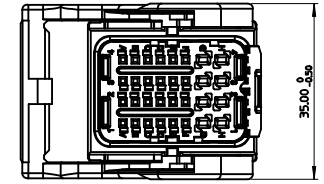


ENCOMBREMENT PORTE-CLIPS D.V. POSITION LIVRAISON
FEMALE MODULE LAYOUT SECONDARY LOCKING IN DELIVERY POSITION

PORTE-CLIPS SORTIE DROITE
FEMALE MODULE RIGHT WIRE OUTPUT

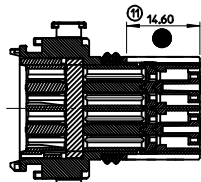
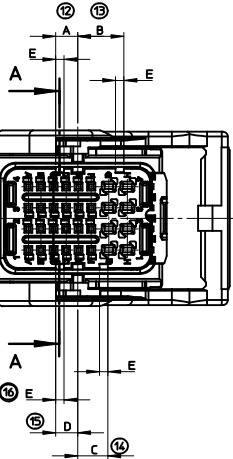


PORTE-CLIPS SORTIE GAUCHE
FEMALE MODULE LEFT WIRE OUTPUT



POSITION DES DETROMPAGEES
CODING POSITION

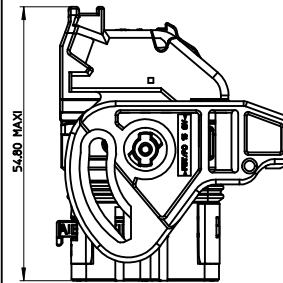
COULEUR/COLOUR	DETROMPAGE/CODING	A ^{+0.10} / ₀	B ^{+0.10} / ₀	C ^{+0.10} / ₀	D ^{+0.10} / ₀	E ^{+0.10} / ₀
NOIR/BLACK	1	4.40	9.15	5.95	4.40	1.65
GRIS/GREY	2	5.95	7.60	9.15	5.95	1.65
MARRON/BROWN	3	7.60	5.95	9.15	9.15	1.65
VERT/GREEN	4	9.15	7.60	4.40	4.40	1.65
BLEU/BLUE	5	7.60	4.40	5.95	5.95	1.65



SECTION A-A
(LEVER NON REPRESENTE)
(LEVER NOT SHOWN)

<input checked="" type="checkbox"/>	INDICATION DIMENSIONS S.P.C DENOTES S.P.C DIMENSIONS
<input checked="" type="checkbox"/>	INDICATION DIMENSIONS CRITIQUES DENOTES CRITICAL DIMENSIONS
<input checked="" type="checkbox"/>	INDICATION DIMENSIONS FONCTIONNELLES DENOTES FUNCTIONAL DIMENSIONS
<input checked="" type="checkbox"/>	QUANTITE PAR FEUILLE INDIVIDUELLE QUANTITY PER INDIVIDUAL SHEET
<input checked="" type="checkbox"/>	0
<input checked="" type="checkbox"/>	1

ENCOMBREMENT HORS-TOUT
OVERALL DIMENSION



CONTACTS
FEMALE TERMINAL

REPERE ALVEOLES CAVITIES NUMBER	CONTACTS FEMALE TERMINAL	REF. MOLEX MOLEX P/N	DIAMETRE ISOLANT FIL MINI / MAXI MIN / MAX WIRE INSULATION DIAMETER
A1 & F1	CLIP 0,63 (0.35mm2 à 0.60mm2)	0986581211	Ø125 min / Ø190 max
A2 & F2		0986581213	
A3 & F3	CLIP 0,63 (0.75mm2)	0986581212	Ø160 min / Ø190 max
A4 & F4		0989151029	
G1 & G4	CLIP 1,5 (0.5mm2 à 1mm2)	0989151029	Ø140 min / Ø215 max
H1 & H4		0989151039	
	CLIP 1,5 (> 1mm2 à 2mm2)	0989151039	Ø225 min / Ø265 max

EC NO: G2009-0313 DRW: PGRANDL2009/06/18 CHKD: PDECHELEZ09/06/18 APPR: CBOUCHANZ09/06/18	GENERAL TOLERANCES (UNLESS SPECIFIED)	SCALE 2:1	DESIGN UNITS METRIC	FIRST ANGLE PROJECTION	REVISE ON CAD ONLY
	4 PLACES ± --- ± ---	mm INCH	DIMENSION STYLE MM ONLY	TITLE	PORTE-CLIPS 32 VOIES CMC FEMALE MODULE CMC 32 WAY SALES DRAWING
	3 PLACES ± --- ± ---	DRAWN BY PGR	DATE 99/12/12	MATERIAL NO.	DOCUMENT NO. SD-98944-010
	2 PLACES ± 0.10 ± ---	CHECKED BY PDE	DATE 00/02/02	SHEET NO. 2 OF 2	
1 PLACE ± 0.15 ± ---	APPROVED BY CBO	DATE 00/02/02	THIS DRAWING CONTAINS INFORMATION THAT IS PROPRIETARY TO MOLEX INCORPORATED AND SHOULD NOT BE USED WITHOUT WRITTEN PERMISSION		
ANGULAR ± 1 °	DRAFT WHERE APPLICABLE MUST REMAIN WITHIN DIMENSIONS				