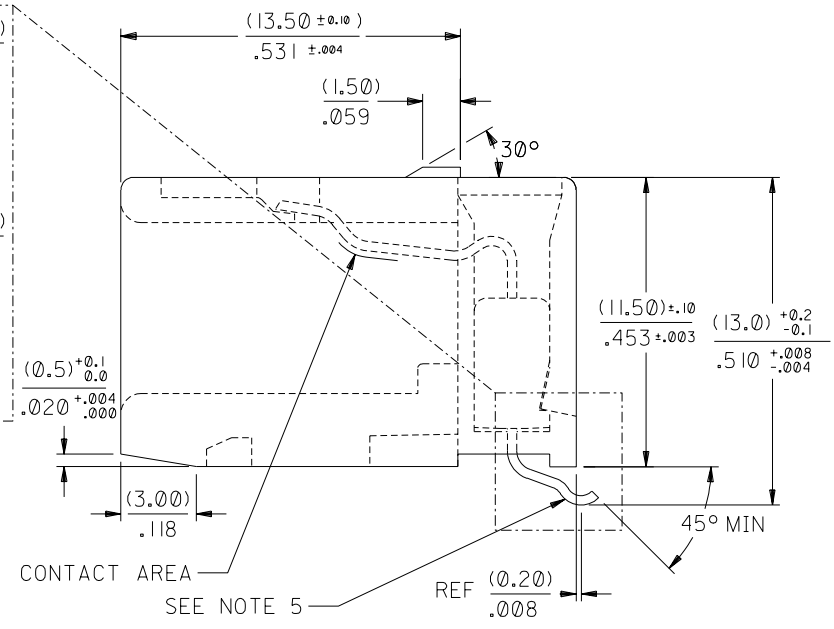
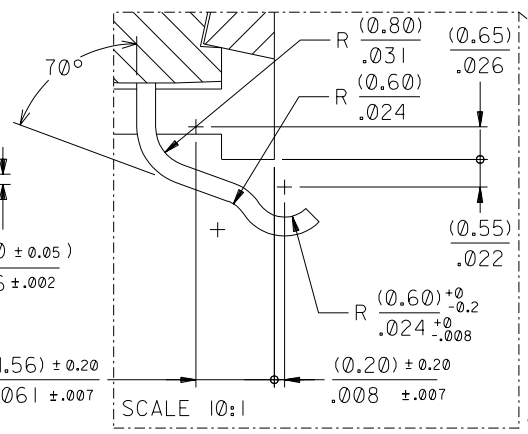
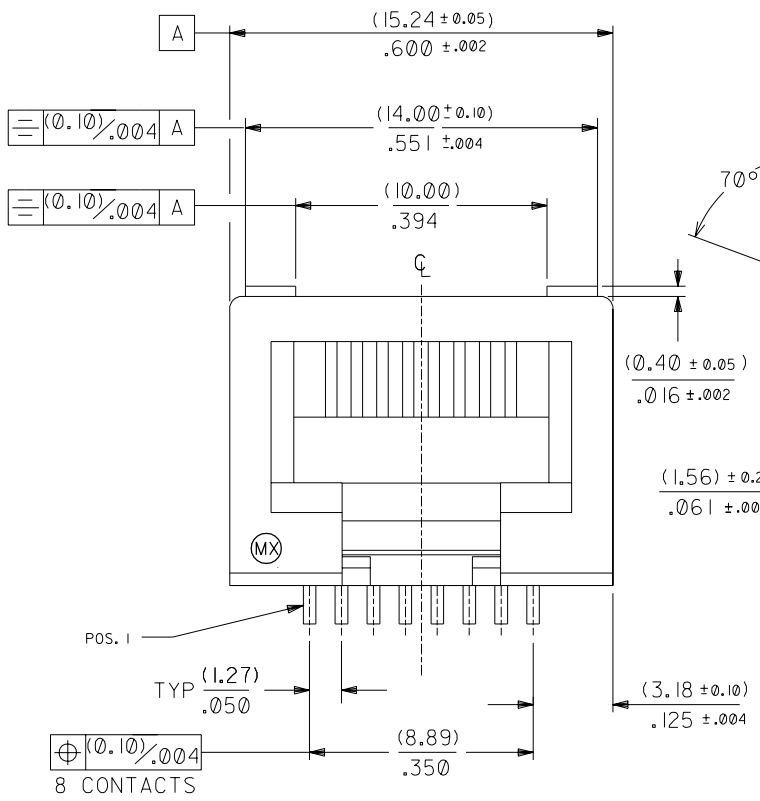
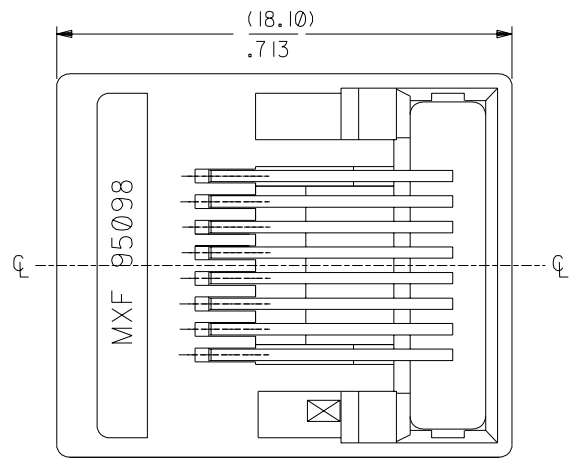


PART NO. 95098-288 I
 DWG. NO. SDA-95098

NOTES:

- 1- PRODUCT SPECIFICATION: PS-95001
- 2- MATERIAL:
 HOUSING: NYLON 6/4 30% GLASS FILLED UL94 V0 , COLOR GREY
 TERMINAL: PHOSPHOR BRONZE
 PLATING: POST PLATE (0.00076)/.000030 MIN GOLD IN CONTACT AREA
 OVER (0.00127)/.000050 MIN NICKEL OVERALL
- 3- COPLANARITY OF LEADS 0.10 MAX
- 4- PACKAGING SPECIFICATION: PK-95001 (SHEET 1)
- 5- NO BURRS PERMISSIBLE IN THIS AREA.



POS. 1
 TYP (1.27)
 .050
 8 CONTACTS
 $\oplus (0.10) / .004$

EC No. MC2003-0264	RK 02/11/27	ECN 2520	Er 97/06/24	ECN 2164	FB 96/07/03	ECN F40347	CB 93/10/08	ECN F30321	MA 93/06/10
D	C I	C	B	A I	LTR	REVISIONS	FOR PREVIOUS REVISIONS SEE INR LIST		

THIRD ANGLE PROJECTION		DRWG BY	MA	SIGN	
UNLESS OTHERWISE SPECIFIED TOLERANCES: ANGULAR ±2°		CHK'D BY	FB	SIGN	
3 PLACE	± .005	APP'D BY	JB	SIGN	
2 PLACE	± 0.13	SCALE	5:1		
1 PLACE	±				
DRAFT WHERE APPLICABLE MUST REMAIN WITHIN DIMENSIONS					
DESIGN DIMENSION	<input checked="" type="checkbox"/> MM				
	<input type="checkbox"/> IN.				
EQUIVALENT DIMENSION	<input checked="" type="checkbox"/> MM				
	<input type="checkbox"/> IN.				
IF TWO DIMENSIONS ARE SHOWN THE UPPER IS THE DESIGN DIMENSION, LOWER IS SECONDARY					

REVISE ONLY ON CAD SYSTEM		SH.	REV.
CAD/CAM PROJECT NAME		THIS DRAWING CONTAINS INFORMATION THAT IS PROPRIETARY TO MOLEX INC. & SHOULD NOT BE USED WITHOUT WRITTEN PERMISSION	
TITLE			
RIGHT ANGLE LOW PROFILE P.C. JACK 8/8 VERSION (FOR SIEMENS)			
MOLEX EUROPE		SHEET NO.	DATE
		2 OF 2	93/06/10
PART NO.	DWG NO.	SIZE	
95098-288 I	SDA-95098	B	