

STANDARD-DUTY CORD REELS



STANDARD-DUTY CORD REELS ARE RENOWNED FOR THEIR EXCEPTIONAL PERFORMANCE, LONG SERVICE LIFE AND EASE OF MAINTENANCE IN DRY INDOOR APPLICATIONS

Standard-duty cord reels are available in swing- or rigid-mount versions with a variety of options and accessories. Constructed with precision electrical and mechanical components, standard-duty cord reels are ideal for keeping hand lamps and power boxes accessible and out of the way. These reels are suitable for use with portable-power supplies, mobile-material-handling equipment and portable lighting.

FEATURES AND BENEFITS

Holds up to 5.4m (50') of standard-duty cord

Increases flexibility for higher ceiling heights or longer distance use

Adjustable spring tension

Modifies tension depending on weight of accessory

Built-in ratchet locks

Allows user to position cord at desired location

APPLICATIONS

- Hospitals
- Maintenance shops
- Technical school centers
- Work benches

Cord Reels Standard Duty



Features and Benefits

- Powder coated Steel construction provides durability
- Swing mount or rigid mount, enclosed or open drum to fit any application
- Simple tension adjustment and ratchet disengagement make it simple to customize for the job

Reference Information

UL File No.: E22769

CSA File No.: LR29921 (only 997, 997L, 998 and 998L)



Electrical

Voltage: 120 V AC

Physical

Construction: All reels include 2' primary cord with plug

Working End: Flying leads and a ball stop

Ratchet Lock: Easily disengaged as needed

Tension: Easily adjusted

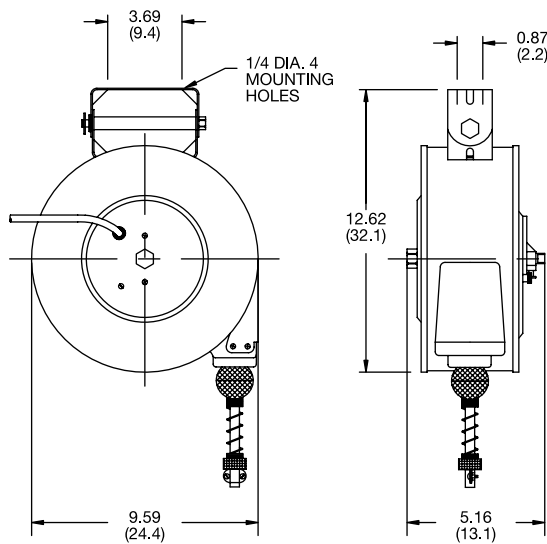
Retraction Weight: Up to 3 lb

Environmental

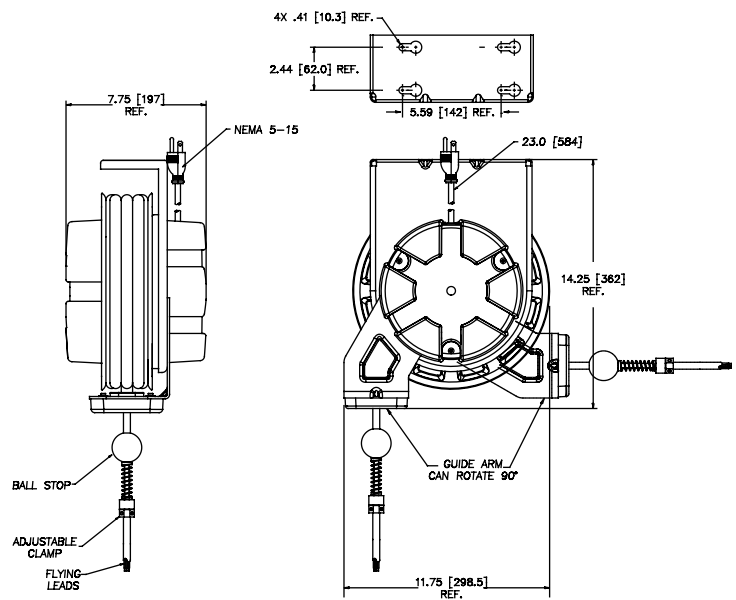
NEMA Rating: NEMA 1

Cord Type	Current	Plug	Cord Length	Construction	Mounting Style	Retraction Weight	Woodhead No.	Order No.
16/3 SJTOW	6A	NEMA 5-15	10.67m (35.0')	Steel	Swinging	0.9kg (2.0 lb)	945-3	130090-0009
16/3 SJTOW	8A	NEMA 5-15	15.24m (50.0')	Steel/Polycarbonate	Rigid	1.4kg (3.0 lb)	980	130091-0013
14/3 SJTOW	11A	NEMA 5-15	13.72m (45.0')	Steel/Polycarbonate	Rigid	1.4kg (3.0 lb)	990	130091-0045
12/3 SJTOW	15A	NEMA 5-15	10.67m (35.0')	Steel/Polycarbonate	Rigid	1.4kg (3.0 lb)	997	130091-0085
		NEMA L5-15					997L	130091-0210
12/3 SJTOW	20A	NEMA 5-20	10.67m (35.0')	Steel/Polycarbonate	Rigid	1.4kg (3.0 lb)	998	130091-0202
		NEMA L5-20					998L	130091-0205

Standard Duty Cord Reel 945-3 Dimensions



Standard Duty Cord Reel 980/990/997/998 Dimensions



Cord Reels Standard Duty With Fluorescent Lights 13W

B



Features and Benefits

- Powder coated Steel construction provides durability
- Swing mount or rigid mount, enclosed or open drum to fit any application
- Simple tension adjustment and ratchet disengagement make it simple to customize for the job
- Rubber handle and butyrate guard mean a durable light and non-conductive guard
- Bulb included in all models and auto-switch available for ultimate convenience

Reference Information

UL File No.: E22769 (except auto-switch versions)
CSA File No.: LR29921 (only 980-83, 980-86, 990-83, 990-86)



Electrical



NEMA Configuration: NEMA 5-15 plug
Voltage: 120 V AC

Physical

Construction: All reels include 2' primary cord with molded plug
Working End: Includes a ball stop and light, bulb included
Ratchet Lock: Easily disengaged as needed
Tension: Easily adjusted

Environmental

NEMA Rating: NEMA 1

Cord Reel	Base Reel		Cord Type	Cord Length	Ballast Location	Switch Location	Cord Reel with Light	
	Woodhead No.	Order No.					Woodhead No.	Order No.
	945-3	130090-0009	16/3 SJTOW	10.67m (35.0')	Handle	Handle	945-3-86	130090-0010
	980	130091-0013	16/3 SJTOW	15.24m (50.0')	Primary cord	Handle	980-83	130091-0027
			16/3 SJTOW	15.24m (50.0')	Handle	Handle	980-86	130091-0028
			16/3 SJTOW	15.24m (50.0')	Primary cord	Auto switch on reel	980A-83	130091-0030
	990	130091-0045	14/3 SJTOW	13.72m (45.0')	Primary cord	Handle	990-83	130091-0061
			14/3 SJTOW	13.72m (45.0')	Handle	Handle	990-86	130091-0062
			14/3 SJTOW	13.72m (45.0')	Primary cord	Auto switch on reel	990A-83	130091-0064

Cord Reels Standard Duty With Incandescent Lights 100W Incandescent, 30W Low Voltage Spot Light



Features and Benefits

- Powder coated Steel construction provides durability
- Swing mount or rigid mount, enclosed or open drum to fit any application
- Simple tension adjustment and ratchet disengagement make it simple to customize for the job
- Handlamps have switch and convenience outlet on handle
- Spot light has switch and is wet location rated and low volt (12V) for added safety

Reference Information

UL File No.: E22769 (except reels with 1610S light fixture)



Electrical

NEMA Configuration: NEMA 5-15 plug
Voltage: 120 V AC

Physical

Construction: All reels include 2' primary cord with molded plug
Working End: Includes a ball stop and light, bulb not included (except for low voltage spot lights, which include a bulb)
Switch: Included on handle
Low Voltage Spot Light Version: Includes 125V to 12V transformer on primary side
Ratchet Lock: Easily disengaged as needed
Tension: Easily adjusted

Environmental

NEMA Rating: NEMA 1

Cord Reel	Base Reel		Cord Type	Cord Length	Light Fixture		Lamp Wattage	Convenience Outlet on Handle	Cord Reel with Light	
	Woodhead No.	Order No.			Woodhead No.	Order No.			Woodhead No.	Order No.
	945-3	130090-0009	16/3 SJTOW	10.67m (35.0')	1610S	130105-0034	30W		965	130090-0018
			16/3 SJTOW	10.67m (35.0')	106US	130102-0114	100W	NEMA 5-15	963	130090-0015
	980	130091-0013	16/3 SJTOW	15.24m (50.0')	1610S	130105-0034	30W		980-1610S	130091-0020
			16/3 SJTOW	15.24m (50.0')	271US	130102-0259	100W	NEMA 5-15	980-271US	130091-0021
	990	130091-0045	14/3 SJTOW	13.72m (45.0')	1610S	130105-0034	30W		990-1610S	130091-0055
			14/3 SJTOW	13.72m (45.0')	106US	130102-0114	100W	NEMA 5-15	990-106US	130091-0049
			14/3 SJTOW	13.72m (45.0')	271US	130102-0259	100W	NEMA 5-15	990-271US	130091-0056

Cord Reels Standard Duty With Power Accessories Connector, Duplex Outlet, GFCI Duplex



3000-1



3070-GFI



1547

Features and Benefits

- Powder coated Steel construction provides durability
- Rigid mount, enclosed or open drum to fit any application
- Simple tension adjustment and ratchet disengagement make it simple to customize for the job
- Options from one to four outlets provide flexibility for many applications
- GFCI version provides added protection of personnel from electrical hazards associated with ground faults

Reference Information

UL File No.: E22769 (except reels with 3070-GFI and Order Numbers 130091-0201 through 13091-0214)
CSA File No.: LR29921 (reels with 12/3 SJTOW only)



Electrical

Voltage: 120 V AC

Physical

Construction: All reels include 2' primary cord with plug
Working End: Includes a ball stop and connector or outlet box
Ratchet Lock: Easily disengaged as needed
Tension: Easily adjusted

Environmental

NEMA Rating: NEMA 1

Cord Reel	Plug Type	Working End	Cord Type	Cord Length	Number of Outlets	GFCI Protected	Woodhead No.	Order No.
	NEMA 5-15	NEMA 5-15 Connector	16/3 SJTOW	10.67m (35.0')	1		945-1547	130090-0008
		Double Duplex Outlet Box, NEMA 5-15	16/3 SJTOW	10.67m (35.0')	4		966	130090-0019
	NEMA 5-15	Double Duplex Outlet Box, NEMA 5-15	16/3 SJTOW	15.24m (50.0')	4		980-3000	130091-0023
		Single Duplex GFCI Outlet Box, NEMA 5-15	16/3 SJTOW	15.24m (50.0')	2	Yes	980-3070G	130091-0025
		NEMA 5-15 Connector	14/3 SJTOW	13.72m (45.0')	1		990-1547	130091-0053
		Double Duplex Outlet Box, NEMA 5-15	14/3 SJTOW	13.72m (45.0')	4		990-3000	130091-0057
		Single Duplex GFCI Outlet Box, NEMA 5-15	14/3 SJTOW	13.72m (45.0')	2	Yes	990-3070G	130091-0059
		NEMA 5-15 Connector	12/3 SJTOW	10.67m (35.0')	1		997-1547	130091-0087
		Double Duplex Outlet Box, NEMA 5-15	12/3 SJTOW	10.67m (35.0')	4		997-3000	130091-0090
		Single Duplex GFCI Outlet Box, NEMA 5-15	12/3 SJTOW	10.67m (35.0')	2	Yes	997-3070G	130091-0094
	NEMA 5-20	NEMA 5-20 Connector	12/3 SJTOW	10.67m (35.0')	1		998-1533	130091-0203
		Single Duplex GFCI Outlet Box, NEMA 5-20	12/3 SJTOW	10.67m (35.0')	2	Yes	998-3070G20	130091-0204
		Double Duplex Outlet Box, NEMA 5-20	12/3 SJTOW	10.67m (35.0')	4		998-3080	130091-0201
	NEMA L5-20, Locking	NEMA L5-20 Locking Connector	12/3 SJTOW	10.67m (35.0')	1		998L-2747	130091-0206
		Single Duplex GFCI Outlet Box, NEMA 5-20	12/3 SJTOW	10.67m (35.0')	2	Yes	998L-3070G20	130091-0207
		NEMA 5-20 Connector	12/3 SJTOW	10.67m (35.0')	1		998L-1533	130091-0208
		Double Duplex Outlet Box, NEMA 5-20	12/3 SJTOW	10.67m (35.0')	4		998L-3080	130091-0209
	NEMA 5-15	NEMA 5-15 Connector	12/3 SJTOW	10.67m (35.0')	1		997-1547	130091-0087
		Single Duplex GFCI Outlet Box, NEMA 5-15	12/3 SJTOW	10.67m (35.0')	2	Yes	997-3070G	130091-0094
		Double Duplex Outlet Box, NEMA 5-15	12/3 SJTOW	10.67m (35.0')	4		997-3000	130091-0090
	NEMA L5-15, Locking	NEMA L5-15 Locking Connector	12/3 SJTOW	10.67m (35.0')	1		997L-2547	130091-0211
		Single Duplex GFCI Outlet Box, NEMA 5-15	12/3 SJTOW	10.67m (35.0')	2	Yes	997L-3070G	130091-0212
		NEMA 5-15 Connector	12/3 SJTOW	10.67m (35.0')	1		997L-1547	130091-0213
		Double Duplex Outlet Box, NEMA 5-15	12/3 SJTOW	10.67m (35.0')	4		997L-3000	130091-0214