

**PLEASE CHECK WWW.MOLEX.COM FOR LATEST PART INFORMATION**

**Part Number:** [0878630015](#)  
**Status:** **Active**  
**Overview:** Serial Attached SCSI (SAS) Connectors  
**Description:** 1.27mm Signal Pitch, 0.80mm SCSI Pitch, 1.27mm Power Pitch SAS-2 Receptacle, Vertical, Press fit, 2.70mm Tail Length, 29 Circuits, Lead-Free

**Documents:**

<a href="#">3D Model</a>	<a href="#">Product Specification PS-87863-060-001 (PDF)</a>
<a href="#">Drawing (PDF)</a>	<a href="#">Packaging Specification PK-87863-001-001 (PDF)</a>
<a href="#">3D Model (PDF)</a>	<a href="#">RoHS Certificate of Compliance (PDF)</a>

**Agency Certification**

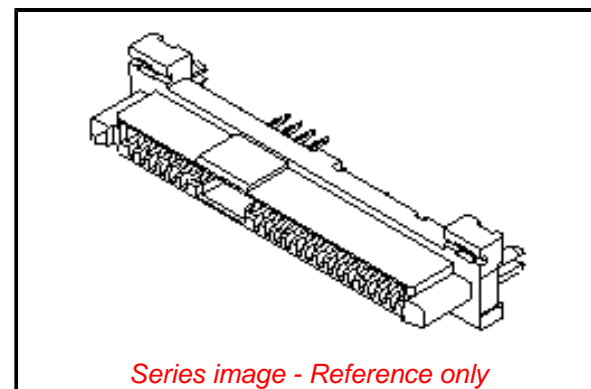
CSA	LR19980
UL	E29179

**General**

Product Family	I/O Connectors
Series	<a href="#">87863</a>
Application	Board-to-Board
Comments	No pick and place cap
Component Type	Receptacle
Overview	<u>Serial Attached SCSI (SAS) Connectors</u>
Product Name	SAS 6G, SAS-2
Taxonomy	I/O Connectors
Type	N/A
UPC	822348828012

**Physical**

Boot Color	N/A
Circuits (Loaded)	29
Circuits (maximum)	29
Circuits Detail	Signal 14, Power 15
Color - Resin	Black
Durability (mating cycles max)	500
Flammability	94V-0
Gender	Female
Keying to Mating Part	Yes
Lock to Mating Part	None
Material - Metal	Phosphor Bronze
Material - Plating Mating	Gold
Material - Plating Termination	Tin
Material - Resin	High Temperature Thermoplastic
Net Weight	1.589/g
Number of Rows	2
Orientation	Vertical
PC Tail Length	2.20mm, 2.70mm
PCB Locator	Yes
PCB Retention	Yes
PCB Thickness - Recommended	2.29mm, 3.18mm
Packaging Type	Tray
Panel Mount	Yes
Pitch - Mating Interface	0.80mm, 1.27mm
Pitch - Termination Interface	0.80mm, 1.27mm
Plating min - Mating	0.762µm
Plating min - Termination	2.540µm
Polarized to Mating Part	Yes
Polarized to PCB	Yes



**EU ELV**

**Not Relevant**

**EU RoHS**

**Compliant**

**REACH SVHC**

Not Contained Per -  
D(2022)4187-DC (10  
June 2022)

**Halogen-Free**

**Status**

**Low-Halogen**

For more information, please visit [Contact US](#)

China ROHS

ELV

RoHS Phthalates

**China RoHS**

Green Image

Not Relevant

Not Contained

**Search Parts in this Series**

[87863 Series](#)

**Mates With**

[87679](#) , [87799](#) , [87703](#) , SFF 8482 Hard  
Disk Drive and Backplane Plug

Surface Mount Compatible (SMC)	N/A
Temperature Range - Operating	0° to +55°C
Termination Interface: Style	Through Hole - Compliant Pin
Waterproof / Dustproof	No
Wire Size AWG	N/A

**Electrical**

Current - Maximum per Contact	1.5A
Shielded	No
Voltage - Maximum	30V

**Solder Process Data**

Lead-free Process Capability	N/A
------------------------------	-----

**Material Info****Reference - Drawing Numbers**

Electrical Model Document	EE-87863-001-001, EE-87863-002-001, EE-87863-003-001, EE-87863-004-001, EE-87863-005-001, EE-87863-006-001, EE-87863-007-001, EE-87863-008-001
Packaging Specification	PK-87863-001-001
Product Specification	PS-87863-060-001
Sales Drawing	SD-87863-059-001

This document was generated on 09/27/2022

**PLEASE CHECK [WWW.MOLEX.COM](http://WWW.MOLEX.COM) FOR LATEST PART INFORMATION**