

**PLEASE CHECK WWW.MOLEX.COM FOR LATEST PART INFORMATION**

**Part Number:** [0783730001](#)  
**Status:** **Active**  
**Overview:** DDR3 DIMM Sockets  
**Description:** 1.00mm Pitch DDR3 DIMM Socket, 25° Angle, Through Hole, with Beveled Metal Pins, Black Housing and Latches, 0.76µm Gold (Au) Plating, 2.79mm Solder Tail Length, 1.57mm PCB Thickness, 1.5V Center Voltage Key, 240 Circuits

**Documents:**

[3D Model](#) [Product Specification PS-78373-001-001 \(PDF\)](#)  
[3D Model \(PDF\)](#) [RoHS Certificate of Compliance \(PDF\)](#)  
[Drawing \(PDF\)](#)

**Agency Certification**

CSA LR19980  
 UL E29179

**General**

Product Family Memory Module Sockets  
 Series [78373](#)  
 Component Type Socket  
 JEDEC Outline MO-269  
 Overview [DDR3 DIMM Sockets](#)  
 Product Name DDR3 DIMM  
 UPC 883906206697

**Physical**

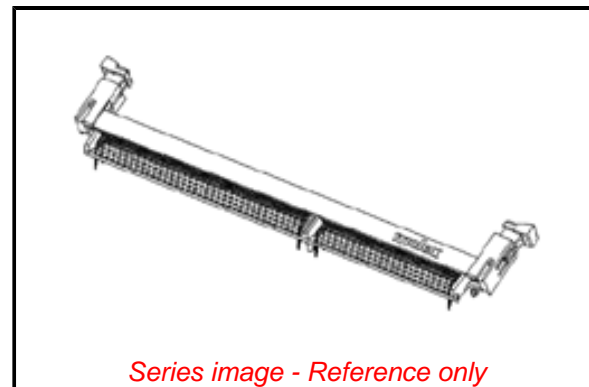
Circuits (Loaded) 240  
 Circuits (maximum) 240  
 Durability (mating cycles max) 25  
 Entry Angle 25° Angle  
 Flammability 94V-0  
 Housing Color Black  
 Keying to Mating Part Yes  
 Latch Color Black  
 Material - Metal Copper Alloy  
 Material - Plating Mating Gold  
 Material - Plating Termination Tin  
 Material - Resin High Temperature Thermoplastic  
 Net Weight 11.547/g  
 PC Tail Length 2.79mm  
 PCB Locator Yes  
 PCB Retention Yes  
 PCB Thickness - Recommended 1.57mm  
 Packaging Type Tray  
 Pitch - Mating Interface 1.00mm  
 Pitch - Termination Interface 1.00mm  
 Plating min - Mating 0.762µm  
 Plating min - Termination 2.540µm  
 Temperature Range - Operating -55° to +85°C  
 Termination Interface: Style Through Hole

**Electrical**

Current - Maximum per Contact 1.0A  
 Voltage - Maximum 30V AC (RMS)/DC  
 Voltage Key Center

**Solder Process Data**

Duration at Max. Process Temperature (seconds) 010



*Series image - Reference only*

**EU ELV**

**Not Relevant**

**EU RoHS**

**Compliant**

**REACH SVHC**

Not Contained Per -  
 D(2021)4569-DC (8  
 July 2021)

**Halogen-Free**

**Status**

**Not Low-Halogen**

For more information, please visit [Contact US](#)

China ROHS

ELV

RoHS Phthalates

**China RoHS**

Green Image

Not Relevant

Not Contained

**Search Parts in this Series**

[78373 Series](#)

**Mates With**

JEDEC Standard 1.27mm Modules

Lead-free Process Capability  
Max. Cycles at Max. Process Temperature  
Process Temperature max. C

SMC&WAVE  
002  
260

**Material Info**

**Reference - Drawing Numbers**

Electrical Model Document  
Product Specification  
S-Parameter Model  
Sales Drawing

EE-78373-001-001, EE-78373-002-001  
PS-78373-001-001  
SP-78373-001-001, SP-78373-002-001  
SD-78373-001-001

This document was generated on 10/04/2021

**PLEASE CHECK [WWW.MOLEX.COM](http://WWW.MOLEX.COM) FOR LATEST PART INFORMATION**