

F

E

D

C

B

A

F

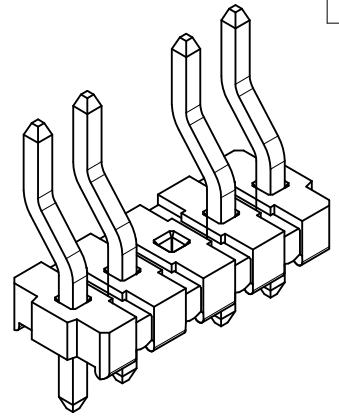
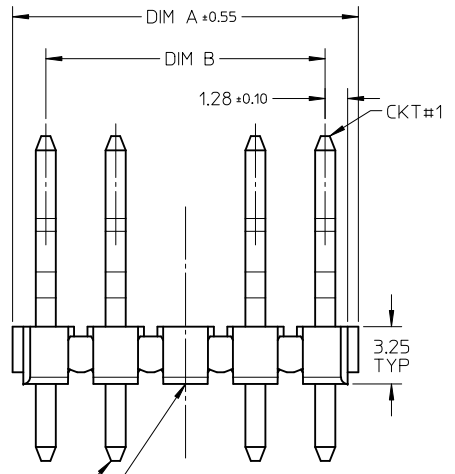
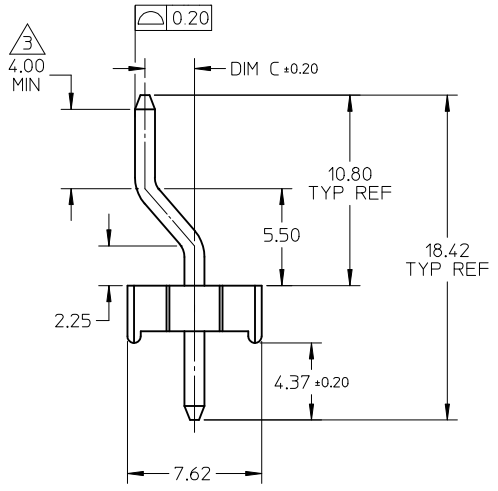
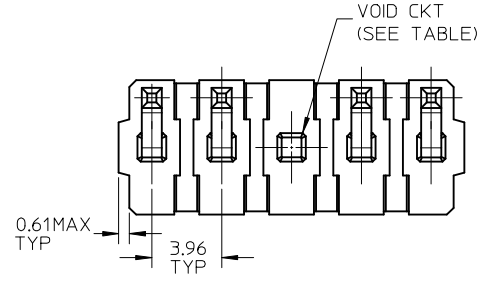
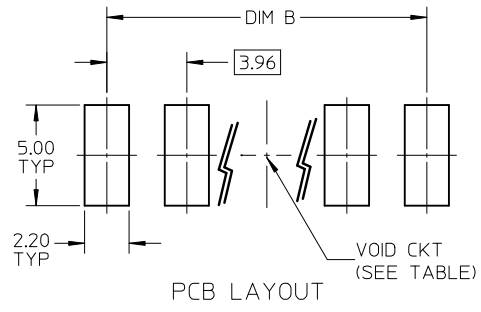
E

D

C

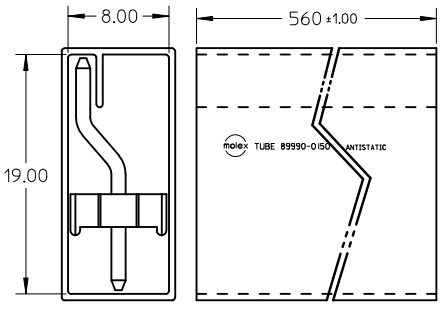
B

A



PART NO IN TUBE	CKT SIZE	VOID PIN POSITION	DIMENSION		
			A	B	C
78097-8009	9	4, 5, 6, 7	35.46	31.70	2.81
78097-8019	9	-----	35.46	31.70	3.25
78097-8013	13	2, 3, 7, 9	51.31	47.55	2.81
78097-8002	18	10, 11	71.12	67.36	3.25
78097-8021	21	7, 15, 16, 19	83.01	79.25	2.81
78097-8022	24	-----	94.89	91.14	3.25
78097-8023	24	9, 10	94.89	91.14	3.25
78097-8024	24	10~15,18 & 19	94.89	91.14	3.25
78097-8014	13	5, 7, 11, 12	51.31	47.55	3.25
78097-8015	13	5, 7, 11	51.31	47.55	3.25
78097-8025	12	4, 8	47.35	43.59	3.25
78097-8026	14	5, 6	55.27	51.51	3.25

- NOTES:
- MATERIAL:
HSG: GLASS FILLED POLYESTER, UL94V-0
COLOR: BLACK
PIN: ALLOY, SQ 1.12MM
 - PLATINGS:
5.08µm TIN PLATING MIN OVER COPPER
 - SMT SOLDER AREA MIN 4MM FLAT AREA
 - PARTS TO BE PACKED IN TUBE
 - PINS PUSHOUT FORCE: 0.85KgF MIN IN EITHER DIRECTION
 - PRODUCT SPEC PS-68340-014 APPLIES
 - THE ABOVE 5 CKT IS FOR ILLUSTRATION PURPOSE ONLY



Change PS & Retention force EC NO: S2010-0891 DRW:AT/SEE CHKD:KWLEE APPR:MLONG 2010/04/22 2007/08/21 2010/05/06	QUALITY SYMBOLS ▽=0 ◻=0	GENERAL TOLERANCES (UNLESS SPECIFIED)		DIMENSION STYLE MM ONLY		SCALE NTS	DESIGN UNITS METRIC	THIRD ANGLE PROJECTION			
		4 PLACES ± --- ± --- 3 PLACES ± --- ± --- 2 PLACES ± 0.2 ± --- 1 PLACE ± --- ± ---	mm INCH ± --- ± --- ± 0.2 ± --- ± --- ± ---	DRAWN BY CWLAM	DATE 2007/08/14	TITLE KK 3.96 BREAKAWAY HDR ASSY OFFSET KINKING					
		ANGULAR ± 3 °		CHECKED BY KWLEE	DATE 2007/08/21	MOLEX INCORPORATED					
		DRAFT WHERE APPLICABLE MUST REMAIN WITHIN DIMENSIONS		APPROVED BY MLONG	DATE 2010/03/04	MATERIAL NO. SEE TABLE		DOCUMENT NO. SD-78097-001	SHEET NO. 1 OF 1		