

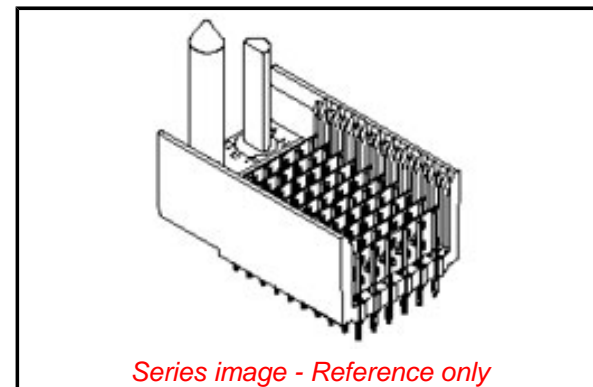
**PLEASE CHECK WWW.MOLEX.COM FOR LATEST PART INFORMATION**

**Part Number:** [0767629001](#)

**Status:** **Active**

**Overview:** [VHDM® H-Series Backplane Connectors](#)

**Description:** VHDM® H-Series Single-Ended Board-to-Board Backplane Header, 2.00mm Pitch, Vertical, 6-Row, Guide Pin, Shield End Module, Open End Version, 60 Circuits, Pin Length 4.75mm . Series:76764 Enables designers to create custom loaded connectors utilizing standard pin lengths 4.25, 4.75, 5.15 and 6.25mm



Series image - Reference only

**Documents:**

[Drawing \(PDF\)](#)

[Product Specification PS-74031-999 \(PDF\)](#)

[Packaging Specification PK-74058-003 \(PDF\)](#)

[RoHS Certificate of Compliance \(PDF\)](#)

**General**

Product Family	Backplane Connectors
Series	<a href="#">76762</a>
Application	Backplane
Application Tooling Documents	<a href="#">TM-622010999</a>
Comments	No Keying Position
Component Type	PCB Header
Overview	<a href="#">VHDM® H-Series Backplane Connectors</a>
Product Name	VHDM® H-Series
UPC	884982231306

**Physical**

Circuits (Loaded)	60
Circuits (maximum)	60
Color - Resin	Black
Durability (mating cycles max)	200
First Mate / Last Break	No
Guide to Mating Part	Yes
Keying to Mating Part	None
Material - Metal	Copper Alloy
Material - Plating Mating	Gold
Material - Plating Termination	Matte Tin
Material - Resin	High Temperature Thermoplastic
Net Weight	7.200/g
Number of Columns	10
Number of Pairs	Open Pin Field
Number of Rows	6
Orientation	Vertical
PC Tail Length	1.83mm
PCB Locator	No
PCB Retention	None
PCB Thickness - Recommended	1.83mm
Packaging Type	Tube
Pitch - Mating Interface	2.00mm
Pitch - Termination Interface	1.00mm
Plating min - Mating	0.762µm
Plating min - Termination	0.762µm
Polarized to PCB	Yes
Surface Mount Compatible (SMC)	Yes
Temperature Range - Operating	-55°C to +85°C
Termination Interface: Style	Through Hole - Compliant Pin

**Electrical**

Current - Maximum per Contact	2.0A
Data Rate	6.25 Gbps

**EU ELV**

**Not Relevant**

**EU RoHS**

**Not Reviewed**

**REACH SVHC**

Not Reviewed

**Halogen-Free**

**Status**

**Not Reviewed**

**Need more information on product environmental compliance?**

Email [productcompliance@molex.com](mailto:productcompliance@molex.com)  
Please visit the [Contact Us](#) section for any non-product compliance questions.

China ROHS

Not Reviewed

ELV

Not Relevant

**Search Parts in this Series**

[76762](#) Series

**Application Tooling | FAQ**

*Tooling specifications and manuals are found by selecting the products below. Crimp Height Specifications are then contained in the Application Tooling Specification document.*

**Global**

Description	Product #
6-Row Pin and Shield Repair Tool	<a href="#">0622015800</a>
Insertion Module for Advanced Mate Signal Header, 6-Row by 10-Wide, 20.00mm	<a href="#">0622020207</a>
Signal Pin Inserter Repair Tool	<a href="#">0622015700</a>
6-Row Shield Extraction Tool	<a href="#">0622016000</a>

Shield Type	Ground Plane Shield
Shielded	Yes
Voltage - Maximum	120V AC (RMS)/DC

**Solder Process Data**

Lead-free Process Capability	N/A
------------------------------	-----

**Material Info****Reference - Drawing Numbers**

Packaging Specification	PK-74058-003
Product Specification	PS-74031-999
Sales Drawing	SD-76762-001

Note: HDM, HDM+, VHDM, VHDM-HSD and GbX are trademarks or registered trademarks of Amphenol TCS.

This document was generated on 06/13/2016

**PLEASE CHECK [WWW.MOLEX.COM](http://WWW.MOLEX.COM) FOR LATEST PART INFORMATION**