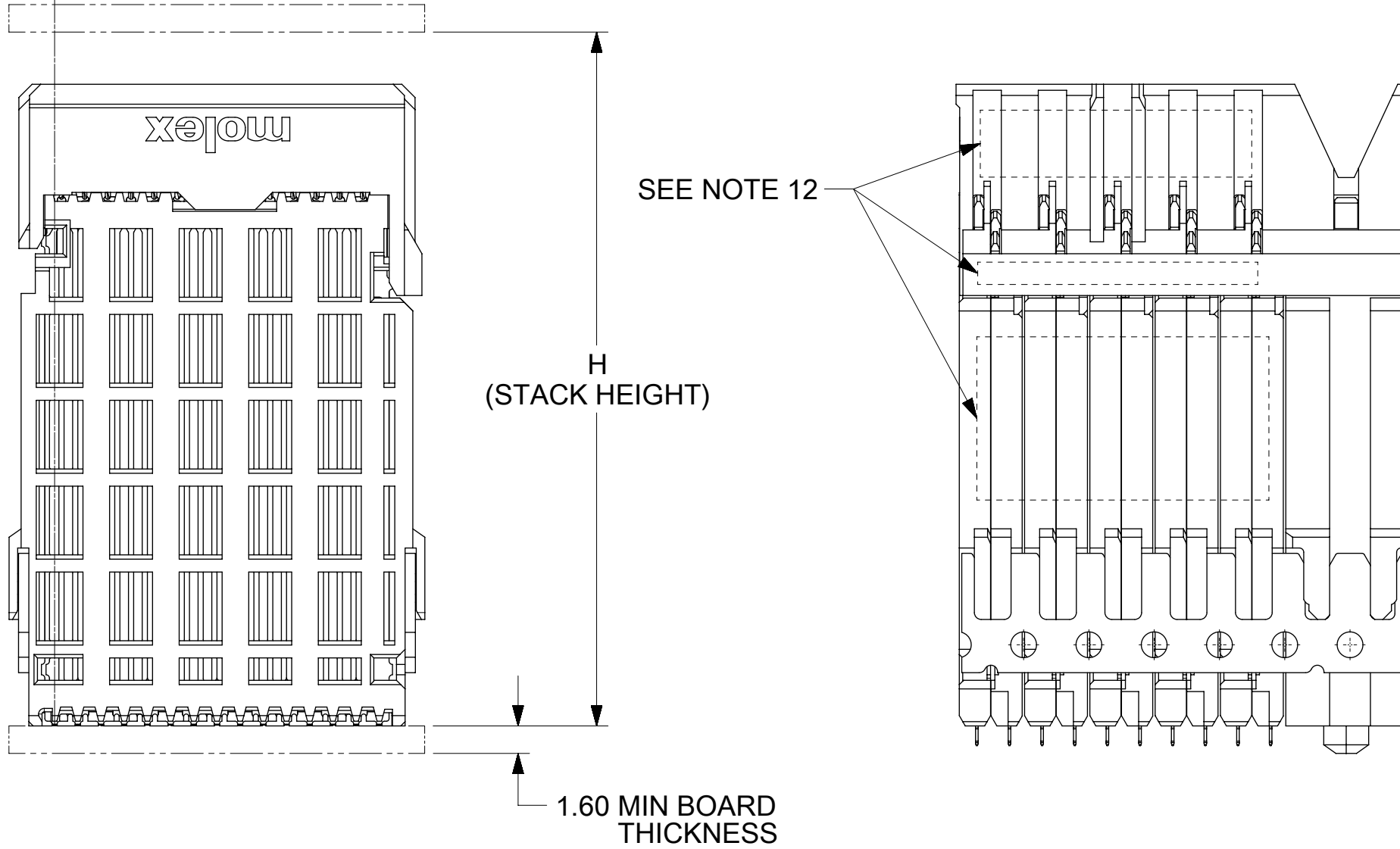


(MALE HEADER PC BOARD)



NOTES:

1. MATERIALS: HOUSING - LIQUID CRYSTAL POLYMER (LCP), GLASS FILLED, UL94V-0
TERMINALS - HIGH PERFORMANCE COPPER ALLOY
2. FINISH: 30 μ m MIN SELECTIVE GOLD IN CONTACT AREA.
SELECTIVE MATTE TIN ON PCB TAILS, NICKEL OVERALL.
3. EACH SIGNAL WAFER CONTAINS TWO COLUMNS OF TERMINALS.
4. PARTS SHALL BE PACKAGED IN TRAYS PER PACKAGING SPEC PK-70873-0040 (40mm)
OR PK-70873-0043 (38mm).
5. FOR FURTHER INFORMATION SEE PRODUCT SPECIFICATION PS-76060-999
6. THIS PART CONFORMS TO CLASS B REQUIREMENTS OF COSMETIC SPECIFICATION
PS-45499-002.
7. PART SHOWN HAS AN OVERALL STACK HEIGHT OF 40mm. VARYING STACK HEIGHTS MAY
BE AVAILABLE UPON REQUEST.
8. REFER TO MOLEX SALES DRAWING SD-76055-002 FOR THE MATING HEADERS.
9. REFER TO MOLEX PCB ROUTING GUIDE AS-76060-990 FOR ANTIPAD AND ROUTING
RECOMMENDATIONS.
10. CONNECTORS SUPPLIED WITH A MOUNTING SCREW.
11. "THESE DIMENSIONS REPRESENT THE AREA NEEDED TO ACCOMMODATE CONNECTOR
INSERTION & REPAIR ON THE PC BOARD. THIS IS REFERRED TO AS THE
"CONNECTOR KEEP OUT ZONE" AND DOES NOT REPRESENT THE ACTUAL PERIMETER
OF THE CONNECTOR. WHEN LAYING OUT A PC BOARD WITH CONNECTORS STACKED
TOGETHER, USE A 1.9mm PROGRESSION."
12. MARKING: LOCATED APPROXIMATELY AS SHOWN. PART NUMBER AND DATE CODE.

SYMBOLS	THIS DRAWING CONTAINS INFORMATION THAT IS PROPRIETARY TO MOLEX ELECTRONIC TECHNOLOGIES, LLC AND SHOULD NOT BE USED WITHOUT WRITTEN PERMISSION		
	DIMENSION UNITS	SCALE	CURRENT REV DESC: MIGRATED TO NX
$\nabla = 0$	MM	3:1	molex IMPACT 5-PAIR VERTICAL MEZZANINE LEFT GUIDED SALES DWG
$\nabla = 0$	GENERAL TOLERANCES (UNLESS SPECIFIED)		
$\nabla = 0$	ANGULAR TOL $\pm 0.5^\circ$		EC NO: 173912 DRWN: CCV 2018/03/16 CHK'D: DVARVARA 2018/03/21 APPR: TELO 2018/04/02
$\nabla = 0$	4 PLACES \pm		
$\nabla = 0$	3 PLACES \pm		PRODUCT CUSTOMER DRAWING DOCUMENT NUMBER: SD-76530-002 DOC TYPE: PSD DOC PART: 001 REVISION: H4
$\nabla = 0$	2 PLACES ± 0.13		
$\nabla = 0$	1 PLACE ± 0.25		INITIAL REVISION: DRWN: JJONIAK 2008/10/10 APPR: JLAURX 2010/11/04
$\nabla = 0$	0 PLACES \pm		
$\nabla = 0$	DRAFT WHERE APPLICABLE MUST REMAIN WITHIN DIMENSIONS	THIRD ANGLE PROJECTION	DRAWING: C-SIZE SERIES: 76530
$\nabla = 0$			MATERIAL NUMBER: SEE TABLE CUSTOMER: GENERAL MARKET SHEET NUMBER: 1 OF 2

PART NUMBER	# OF COLUMNS	# OF DIFF PAIR	DIM "A"	DIM "B"	DIM "C"	STACK HEIGHT (H)
76530-**30	10	50	26.6	17.10	35.36	38.00
76530-**32	12	60	30.4	20.90	35.36	38.00
76530-**37	14	70	34.2	24.70	35.36	38.00
76530-**36	16	80	38.0	28.50	35.36	38.00
76530-**40	10	50	26.6	17.10	37.36	40.00
76530-**42	12	60	30.4	20.90	37.36	40.00
76530-**47	14	70	34.2	24.70	37.36	40.00
76530-**46	16	80	38.0	28.50	37.36	40.00

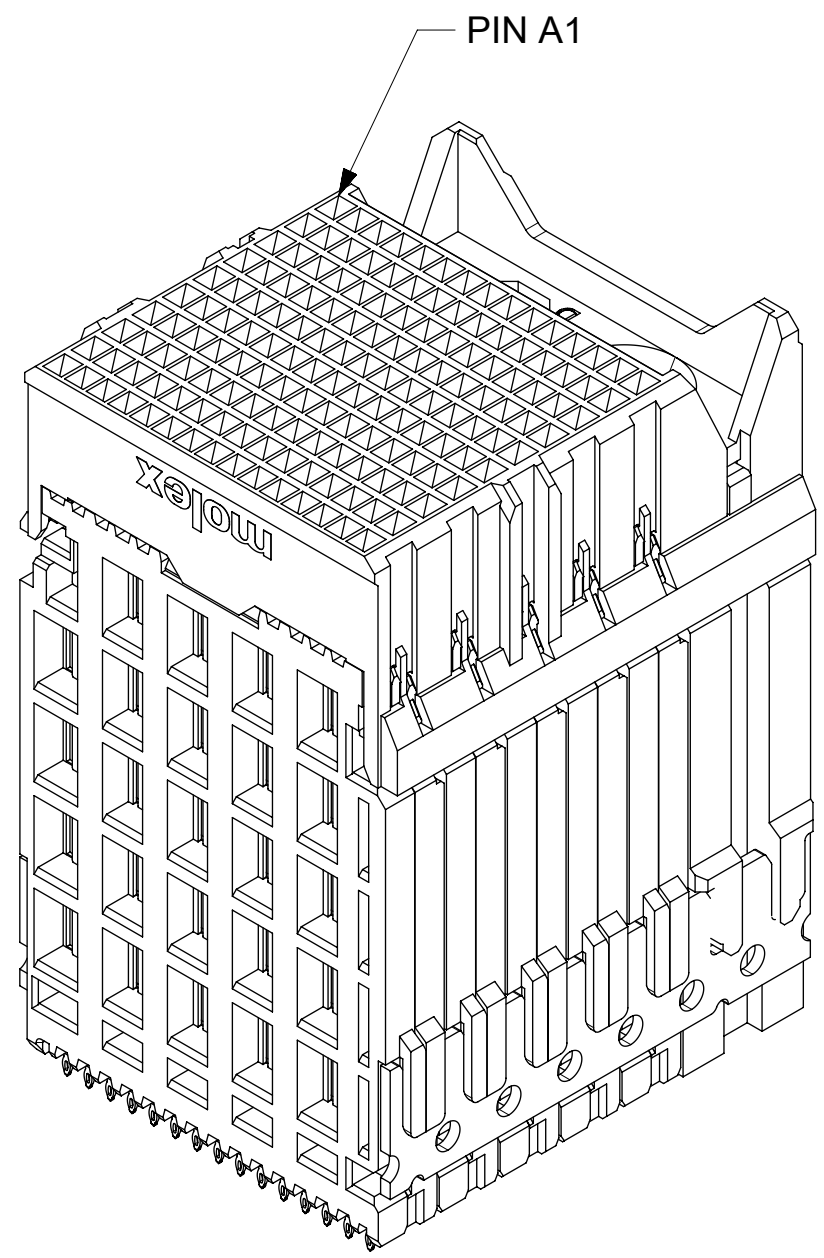
76530-****

MODULE & TAIL PLATING TYPE
3 = LEFT GUIDED LEAD-FREE

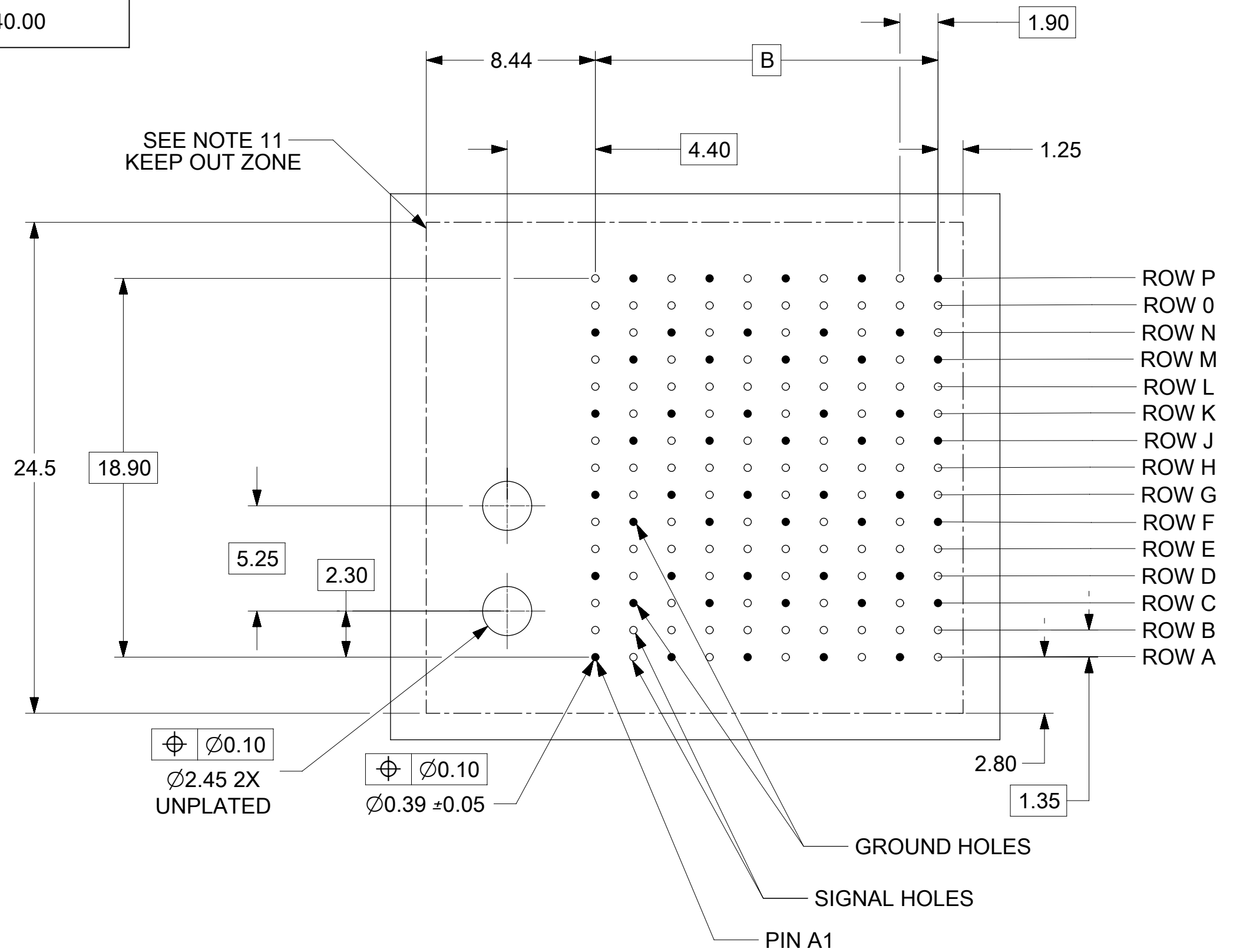
OF COLUMNS
0 = 10 COL MICRO COMPLIANT
2 = 12 COL MICRO COMPLIANT
6 = 16 COL MICRO COMPLIANT
7 = 14 COL MICRO COMPLIANT

POLARIZATION KEY ORIENTATION
0 = NO KEY
1 = A 5 = E
2 = B 6 = F
3 = C 7 = G
4 = D 8 = H

STACK HEIGHT
3 = 38mm
4 = 40mm



10 COLUMN
40 MM STACK HEIGHT



VERTICAL FEMALE HOLE PATTERN
(CONNECTOR SIDE)

SYMBOLS		THIS DRAWING CONTAINS INFORMATION THAT IS PROPRIETARY TO MOLEX ELECTRONIC TECHNOLOGIES, LLC AND SHOULD NOT BE USED WITHOUT WRITTEN PERMISSION			
DIMENSION UNITS: MM SCALE: 3:1		CURRENT REV DESC: MIGRATED TO NX			
GENERAL TOLERANCES (UNLESS SPECIFIED) ANGULAR TOL $\pm 0.5^\circ$		EC NO: 173912 DRWN: CCV 2018/03/16 CHK'D: DVARVARA 2018/03/21 APPR: TELO 2018/04/02		IMPACT 5-PAIR VERTICAL MEZZANINE LEFT GUIDED SALES DWG	
4 PLACES \pm 3 PLACES \pm 2 PLACES ± 0.13 1 PLACE ± 0.25 0 PLACES \pm		INITIAL REVISION: DRWN: JJONIAK 2008/10/10 APPR: JLAURX 2010/11/04		PRODUCT CUSTOMER DRAWING	
DRAFT WHERE APPLICABLE MUST REMAIN WITHIN DIMENSIONS		THIRD ANGLE PROJECTION	DRAWING: C-SIZE	SERIES: 76530	DOCUMENT NUMBER: SD-76530-002 DOC TYPE: PSD DOC PART: 001 REVISION: H4
		MATERIAL NUMBER: SEE TABLE	CUSTOMER: GENERAL MARKET	SHEET NUMBER: 2 OF 2	