

**PLEASE CHECK WWW.MOLEX.COM FOR LATEST PART INFORMATION**

**Part Number:** **0761348501**  
**Status:** **Active**  
**Overview:** VHDM H-Series Backplane Connectors  
**Description:** VHDM H-Series Single-Ended Board-to-Board Backplane Header, 2.00mm Pitch, Vertical, 8 Rows, Signal Module, Open End Version, 200 Circuits, Pin Length 4.75mm

**Documents:**

[Drawing \(PDF\)](#) [Packaging Specification PK-74060-003-001 \(PDF\)](#)  
[Product Specification PS-74031-999-001 \(PDF\)](#) [RoHS Certificate of Compliance \(PDF\)](#)

**General**

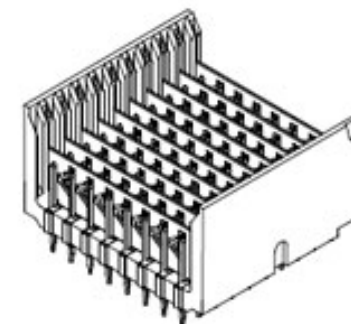
Product Family	Backplane Connectors
Series	76134
Application	Backplane
Application Tooling Documents	TM-622010999-001
Comments	No Keying Position
Component Type	PCB Header
Data Rate	6.25 Gbps
Overview	VHDM H-Series Backplane Connectors
Product Name	VHDM H-Series
Taxonomy	Backplane Connectors
UPC	884982231788

**Physical**

Circuits (Loaded)	200
Circuits (maximum)	200
Color - Resin	Black
Durability (mating cycles max)	200
First Mate / Last Break	No
Guide to Mating Part	Yes
Keying to Mating Part	None
Material - Metal	Copper Alloy
Material - Plating Mating	Gold
Material - Plating Termination	Matte Tin
Material - Resin	High Temperature Thermoplastic
Net Weight	16.619/g
Number of Columns	25
Number of Pairs	Open Pin Field
Number of Rows	8
Orientation	Vertical
PC Tail Length	1.83mm
PCB Locator	No
PCB Retention	None
Packaging Type	Tube
Pitch - Mating Interface	2.00mm
Pitch - Termination Interface	1.00mm
Plating min - Mating	0.762µm
Plating min - Termination	0.762µm
Polarized to PCB	Yes
Stackable	No
Surface Mount Compatible (SMC)	Yes
Temperature Range - Operating	-55° to +85°C
Termination Interface: Style	Through Hole - Compliant Pin

**Electrical**

Current - Maximum per Contact	1.0A
Shield Type	Ground Plane Shield



Series image - Reference only

**EU ELV**

**Not Relevant**

**EU RoHS**

**Compliant**

**REACH SVHC**

Not Contained Per -  
D(2022)4187-DC (10  
June 2022)

**Halogen-Free**

**Status**

**Low-Halogen**

For more information, please visit [Contact US](#)

China ROHS

ELV

RoHS Phthalates

Green Image

Not Relevant

Not Contained

**Search Parts in this Series**

76134 Series

**Mates With**

76021 VHDM Board-to-Board Daughtercard Receptacle

**Application Tooling | FAQ**

*Tooling specifications and manuals are found by selecting the products below. Crimp Height Specifications are then contained in the Application Tooling Specification document.*

**Global**

Description	Product #
Signal Pin Inserter	<a href="#">622015700</a>
Repair Tool	
8-Row Pin and	<a href="#">622015900</a>
Shield Repair Tool	
8-Row Shield	<a href="#">622016100</a>
Extraction Tool	

Shielded	Yes
Voltage - Maximum	120V AC (RMS)/DC

**Solder Process Data**

Lead-free Process Capability	N/A
------------------------------	-----

**Material Info**

**Reference - Drawing Numbers**

Packaging Specification	PK-74060-003-001
Product Specification	PS-74031-999-001
Sales Drawing	SD-76134-001-001

This document was generated on 09/27/2022

**PLEASE CHECK [WWW.MOLEX.COM](http://WWW.MOLEX.COM) FOR LATEST PART INFORMATION**