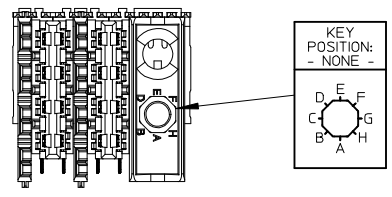


NOTE:

1. MATERIALS: HOUSING - LIQUID CRYSTAL POLYMER (LCP) GLASS-FILLED, UL 94V-0
2. FINISH: SELECTIVE GOLD (Au) 0.76 MICROMETERS MINIMUM IN CONTACT AREA, SELECTIVE MATTE TIN (Sn) ON PCB TAILS, NICKEL (Ni) OVERALL.
3. REFER TO MOLEX PRODUCT SPECIFICATION PS-75221-999 FOR PERFORMANCE SPECIFICATIONS.
4. POSITION OF TAILS TO BE INSPECTED USING TAIL TEMPLATE P/N 74047-0082.
5. PARTS TO BE PACKAGED PER PK-70873-564. QUANTITY PER TRAY POCKET: 12 TOTAL QUANTITY PER TRAY: 72
6. MARK LABEL WITH PART NUMBER AND DATE CODE.
7. ASSEMBLE MODULES TO STIFFENER PER DRAWING E-75226-003.
8. LABEL MAY BE REPLACED BY LASER MARKINGS ON THE STIFFENER.
9. THIS PART CONFORMS TO CLASS "B" REQUIREMENTS OF MOLEX COSMETIC SPECIFICATION PS-45499-002.
10. MOUNTING SCREWS WILL BE BAGGED WITH EACH CONNECTOR.

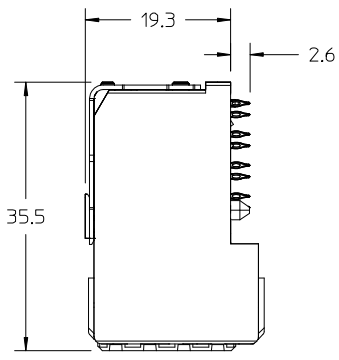
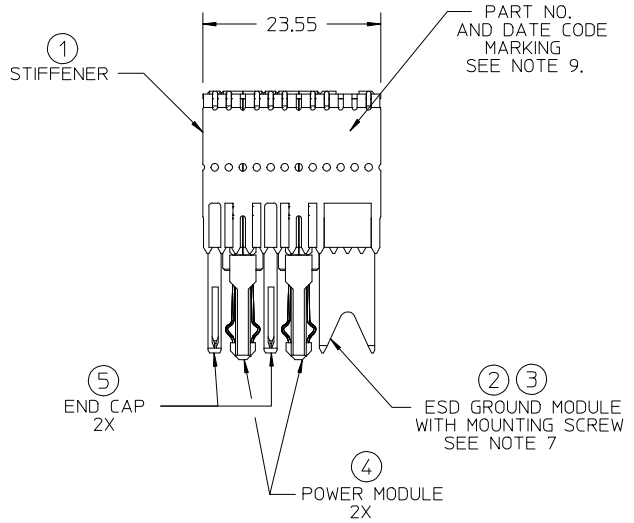


ITEM	PART NUMBER	DESCRIPTION	QTY
1	75226-0023	STIFFENER	1
2	75227-5014	ESD GROUND MODULE. KEY="NONE"	1
3	73726-0000	GROUND MODULE MNTG SCREW	1
4	75292-4060	POWER MODULE - GBX 4 PAIR, LF	2
5	75228-1004	END CAP WITH PEGS	2

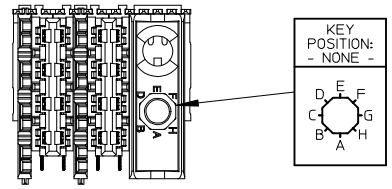
LEAD-FREE
PLATING

CUSTOMER: GAINSPEED

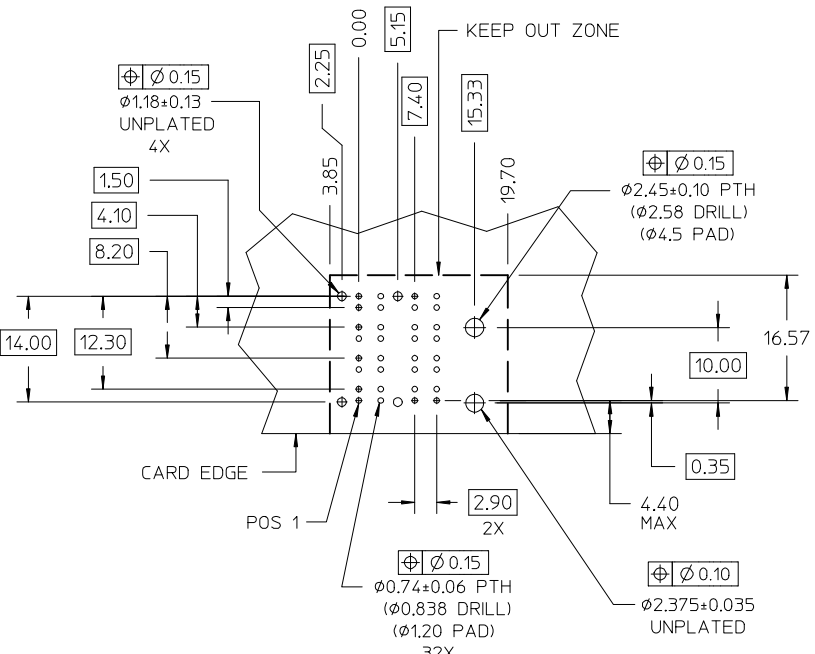
INITIAL RELEASE EC NO: UCP2014-1858 DRWNS:SVANG01 2014/01/06 CHKD:MWOLFE 2014/01/06 APPR:SMILLER 2014/01/16	DESCRIPTION QUALITY SYMBOLS ▽=0 ▽=0 ▽=0	GENERAL TOLERANCES (UNLESS SPECIFIED)		DIMENSION STYLE MM ONLY		SCALE 2:1	DESIGN UNITS METRIC	THIRD ANGLE PROJECTION																			
		<table border="1"> <tr> <th></th> <th>mm</th> <th>INCH</th> </tr> <tr> <td>4 PLACES</td> <td>± .05</td> <td>± .002</td> </tr> <tr> <td>3 PLACES</td> <td>± .05</td> <td>± .002</td> </tr> <tr> <td>2 PLACES</td> <td>± 0.05</td> <td>± .002</td> </tr> <tr> <td>1 PLACE</td> <td>± 0.13</td> <td>± .005</td> </tr> <tr> <td>0 PLACE</td> <td>±</td> <td>±</td> </tr> </table>			mm	INCH	4 PLACES	± .05	± .002	3 PLACES	± .05	± .002	2 PLACES	± 0.05	± .002	1 PLACE	± 0.13	± .005	0 PLACE	±	±	DRAWN BY DATE SVANG01 2014/01/06		TITLE		GBX 4 PAIR CUSTOM DAUGHTERCARD, LF ASSEMBLY DRAWING molex	
			mm	INCH																							
		4 PLACES	± .05	± .002																							
3 PLACES	± .05	± .002																									
2 PLACES	± 0.05	± .002																									
1 PLACE	± 0.13	± .005																									
0 PLACE	±	±																									
CHECKED BY DATE MWOLFE 2014/01/06		APPROVED BY DATE SMILLER 2014/01/16		DOCUMENT NO.																							
MATERIAL NO. 75220-0337		DRAFT WHERE APPLICABLE MUST REMAIN WITHIN DIMENSIONS		SIZE C		E-75220-0337		SHEET NO. 1 OF 1																			



- NOTES: (UNLESS OTHERWISE SPECIFIED)
1. MATERIALS: HOUSING - LIQUID CRYSTAL POLYMER (LCP) GLASS-FILLED, UL 94V-0
 2. FINISH: SELECTIVE GOLD (Au) 0.76 MICROMETERS MINIMUM IN CONTACT AREA, SELECTIVE MATTE TIN (Sn) ON PCB TAILS, NICKEL (Ni) OVERALL.
 3. REFER TO MOLEX PRODUCT SPECIFICATION PS-75221-999 FOR PERFORMANCE SPECIFICATIONS.
 4. REFER TO MOLEX DOCUMENT SD-75292-001 FOR ADDITIONAL DETAIL ON THE GBX 4 PAIR POWER MODULE.
 5. REFER TO MOLEX DOCUMENT SD-75227-001 FOR ADDITIONAL DETAIL ON THE GBX 4 PAIR GROUND MODULE.
 6. REFER TO MOLEX DOCUMENT SD-75228-001 FOR ADDITIONAL DETAIL ON THE GBX 4 PAIR END CAP.
 7. PARTS ARE TO BE PACKAGED IN TRAYS PER PK-70873-564. MOUNTING SCREWS WILL BE BAGGED WITH EACH CONNECTOR.
 8. THIS PART CONFORMS TO CLASS "B" REQUIREMENTS OF MOLEX COSMETIC SPECIFICATION PS-45499-002.
 9. MARK LABEL WITH PART NUMBER AND DATE CODE. LABEL MAY BE REPLACED BY LASER MARKINGS ON THE STIFFENER.



ITEM	PART NUMBER	DESCRIPTION	QTY
1	75226-0023	STIFFENER	1
2	75227-5014	ESD GROUND MODULE, KEY="NONE"	1
3	73726-0000	GROUND MODULE MNTG SCREW	1
4	75292-4060	POWER MODULE - GBX 4 PAIR, LF	2
5	75228-1004	END CAP WITH PEGS	2



LEAD-FREE PLATING

CUSTOMER: GAINSPEED

DAUGHTERCARD HOLE PATTERN (CONNECTOR SIDE)

INITIAL RELEASE EC NO: UCP2014-1858 DRWNS:VANG01 2014/01/06 CHKD:MWOLFE 2014/01/06 APPR:SMILLER 2014/01/16	QUALITY SYMBOLS 	GENERAL TOLERANCES (UNLESS SPECIFIED)		DIMENSION STYLE MM ONLY		SCALE 2:1	DESIGN UNITS METRIC	THIRD ANGLE PROJECTION	
		4 PLACES ± --- ± --- 3 PLACES ± --- ± --- 2 PLACES ± 0.13 ± --- 1 PLACE ± 0.25 ± --- 0 PLACE ± ±	mm INCH DRAWN BY DATE SVANG01 2014/01/06 CHECKED BY DATE MWOLFE 2014/01/06 APPROVED BY DATE SMILLER 2014/01/16	MATERIAL NO. 75220-0337		DOCUMENT NO. RSD-75220-0337		molex	
DRAFT WHERE APPLICABLE MUST REMAIN WITHIN DIMENSIONS		ANGULAR ±1/2°		THIS DRAWING CONTAINS INFORMATION THAT IS PROPRIETARY TO MOLEX. INCORPORATED AND SHOULD NOT BE USED WITHOUT WRITTEN PERMISSION					