

**PLEASE CHECK WWW.MOLEX.COM FOR LATEST PART INFORMATION**

**Part Number:** [0747540021](#)  
**Status:** **Active**  
**Overview:** SFP+ and SFP Interconnect Solutions  
**Description:** SFP+ Cage Lightpipe Cover Assembly, 1-by-2

**Documents:**

<a href="#">3D Model</a>	<a href="#">Product Specification 747540001-PS1 (PDF)</a>
<a href="#">Drawing (PDF)</a>	<a href="#">Packaging Specification PK-74754-0021-001 (PDF)</a>
<a href="#">3D Model (PDF)</a>	<a href="#">RoHS Certificate of Compliance (PDF)</a>

**General**

Product Family	EMI Cages
Series	<a href="#">74754</a>
Application	N/A
Component Type	Lightpipe
Overview	<a href="#">SFP+ and SFP Interconnect Solutions</a>
Product Name	SFP Plus
Taxonomy	High-Speed Pluggable EMI Cages
UPC	883906187255

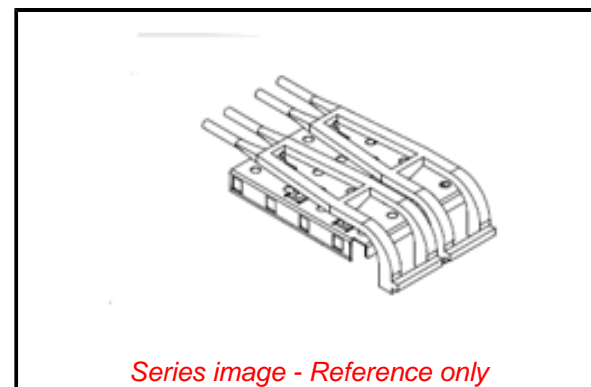
**Physical**

EMI Panel / Bezel Mount	N/A
Light Pipes per Port	2
Material - Metal	N/A
Net Weight	5.326/g
Orientation	Horizontal
Packaging Type	Tray
Port Configuration	1x2
Rear Legs	0
Termination Interface: Style	N/A
Thermal Height	N/A
Thermal Solutions	N/A

**Material Info**

**Reference - Drawing Numbers**

Packaging Specification	PK-74754-0021-001
Product Specification	747540001-PS1
Sales Drawing	747540021-ASY



**EU ELV**

**Compliant**

**EU RoHS**

**Compliant**

**REACH SVHC**

Not Contained Per -  
D(2022)4187-DC (10  
June 2022)

**Halogen-Free**

**Status**

**Not Low-Halogen**

For more information, please visit [Contact US](#)

China ROHS

ELV

RoHS Phthalates

**China RoHS**

Green Image

Compliant

Not Contained

**Search Parts in this Series**

[74754 Series](#)