

PLEASE CHECK WWW.MOLEX.COM FOR LATEST PART INFORMATION

Part Number: [0747360230](#)
Status: **Active**
Overview: [XFP Products](#)
Description: Heat Sink Clip for XFP Cage Assembly, 10 Gigabit Small Form Factor Pluggable Compatible

Documents:

[3D Model](#) [Packaging Specification PK-74736-002-001 \(PDF\)](#)
[Drawing \(PDF\)](#) [RoHS Certificate of Compliance \(PDF\)](#)

General

Product Family	EMI Cages
Series	74736
Application	N/A
Component Type	Clip
Overview	XFP Products
Product Name	XFP
Taxonomy	High-Speed Pluggable EMI Cages
UPC	822348466931

Physical

EMI Panel / Bezel Mount	N/A
Light Pipes per Port	N/A
Material - Metal	Stainless Steel
Net Weight	1.400/g
Orientation	Horizontal
Packaging Type	Tray
Port Configuration	N/A
Rear Legs	N/A
Termination Interface: Style	N/A
Thermal Height	N/A
Thermal Solutions	N/A

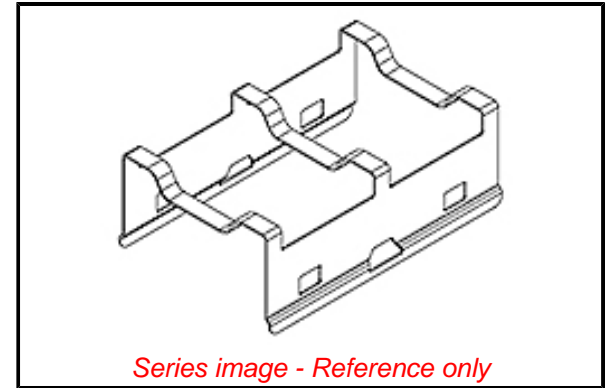
Solder Process Data

Lead-freeProcess Capability	N/A
-----------------------------	-----

Material Info

Reference - Drawing Numbers

Packaging Specification	PK-74736-002-001
Sales Drawing	SD-74736-230-001



EU ELV

Compliant

EU RoHS

Compliant

REACH SVHC

Not Contained Per -
D(2022)4187-DC (10
June 2022)

Halogen-Free

Status

Low-Halogen

For more information, please visit [Contact US](#)

China ROHS

ELV

RoHS Phthalates

China RoHS

Green Image

Compliant

Not Contained

Search Parts in this Series

[74736 Series](#)

Use With

[74736 XFP Cage](#)