

PLEASE CHECK WWW.MOLEX.COM FOR LATEST PART INFORMATION

Part Number: [0740629002](#)
Status: **Active**
Description: VHDM BP 8R SHLD END ASSY 10 COL Pb FREE

Documents:

[Drawing \(PDF\)](#) [Packaging Specification PK-74061-003-001 \(PDF\)](#)
[Product Specification PS-74031-999-001 \(PDF\)](#) [RoHS Certificate of Compliance \(PDF\)](#)

Agency Certification

CSA LR19980
 UL E29179

General

Product Family Backplane Connectors
 Series [74062](#)
 Taxonomy Backplane Connectors
 UPC 822350308113

Physical

Flammability 94V-0
 Net Weight 8.512/g

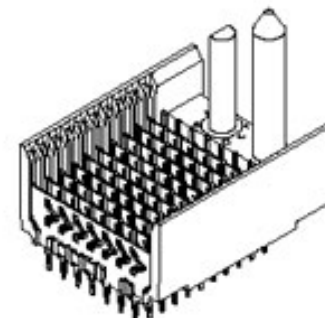
Solder Process Data

Lead-freeProcess Capability N/A

Material Info

Reference - Drawing Numbers

Packaging Specification PK-74061-003-001
 Product Specification PS-74031-999-001
 Sales Drawing SD-74062-002-001



Series image - Reference only

EU ELV

Not Relevant

EU RoHS

Compliant

REACH SVHC

Not Contained Per -
 D(2022)4187-DC (10
 June 2022)

Halogen-Free

Status

Low-Halogen

For more information, please visit [Contact US](#)

China ROHS

ELV

RoHS Phthalates

China RoHS

Green Image

Not Relevant

Not Contained

Search Parts in this Series

[74062](#) Series

Application Tooling | [FAQ](#)

Tooling specifications and manuals are found by selecting the products below. Crimp Height Specifications are then contained in the Application Tooling Specification document.

Global

Description	Product #
Signal Pin Inserter Repair Tool	622015700
8-Row Pin and Shield Repair Tool	622015900
8-Row Shield Extraction Tool	622016100

PLEASE CHECK WWW.MOLEX.COM FOR LATEST PART INFORMATION