

MATERIALS AND FINISHES

TYPE F JACK P/N:73356-3010

BODY, CRIMP TUBE: BRASS
PLATED NICKEL

CENTER CONTACT: PHOSPHOR BRONZE OR BRASS
PLATED TIN

INSULATOR: TEFLON
MEET UL94 V-0

JAM NUT, WASHER: STEEL
PLATED NICKEL

OPERATING TEMP: -40 - +85 °C
RETURN LOSS: 15 dB MIN DC - 1 GHz
IMPEDANCE: 75 OHM
VOLTAGE RATING: 500 V MIN

MATERIALS AND FINISHES

MCX PLUG P/N: 73415-3640

BODY, CAP, CRIMP TUBE: BRASS
PLATED: GOLD

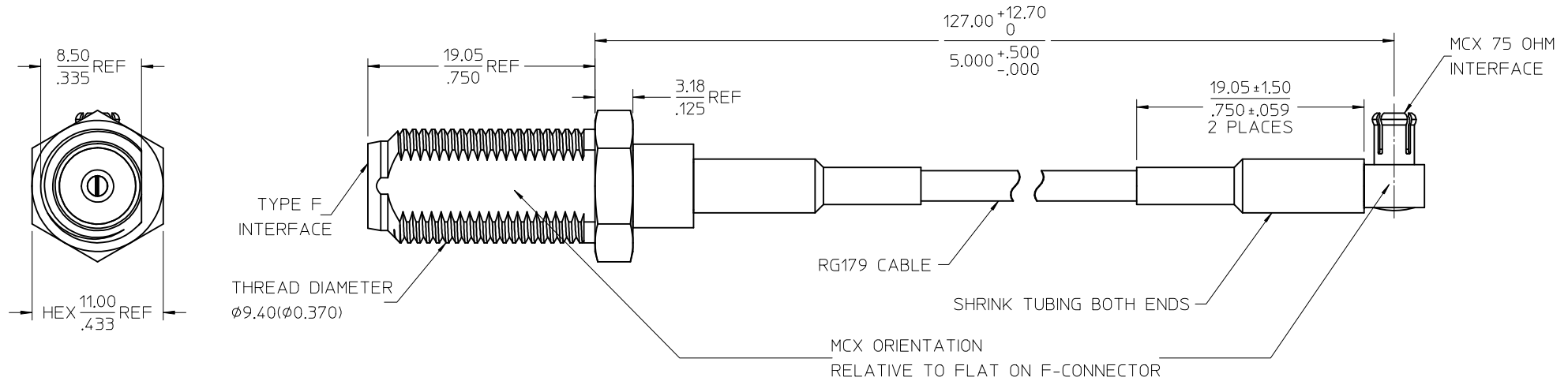
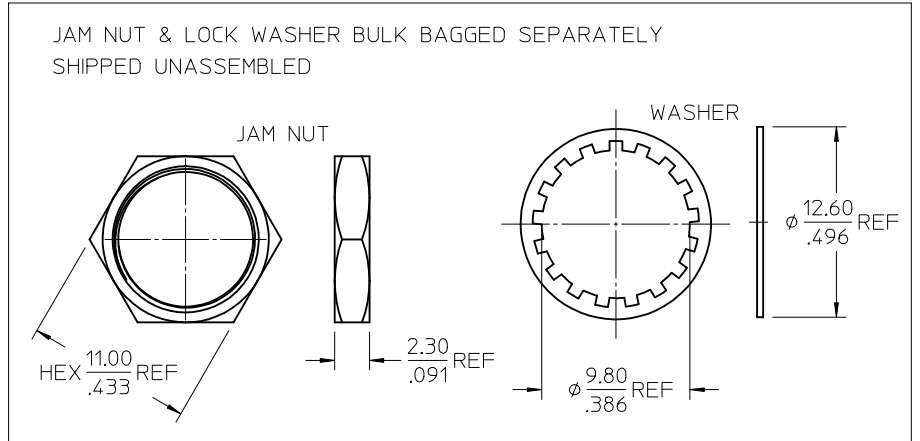
INSULATOR, SPACER: TEFLON
MEET UL94 V-0

CENTER CONTACT: BRASS
PLATED: GOLD, 30 MICRINCHES

OUTER CONTACT: BERYLLIUM COPPER
PLATED: GOLD

CABLE: RG179
MEET UL 1354,
FLAME RETARDANT IEC 60332-1/UL VW-1
SUPPLIER: HABIA 3000017950 RG179

SHRINK TUBE: VERSAFIT OR EQUIVALENT (VW-1)



PART # 73419-6860 RoHS COMPLIANT

CHG: Return loss: 15dB was 21.5dB PER PDR 151812 EC No: URF 2017-0184 DRAWN BY: DRW:MXU11 2016/12/16 CHKD: 2017/02/08 APPR: MYE08	DESCRIPTION REV: A3	QUALITY SYMBOLS	GENERAL TOLERANCES (UNLESS SPECIFIED)	DIMENSION STYLE	SCALE	DESIGN UNITS	THIRD ANGLE PROJECTION	
		$\nabla = 0$ $\nabla = 0$ $\nabla = 0$	mm INCH 4 PLACES ± --- ± --- 3 PLACES ± --- ± --- 2 PLACES ± --- ± --- 1 PLACE ± --- ± --- 0 PLACE ± --- ± ---	MM/IN	METRIC	DRAWN BY: MXU11 DATE: 2015/12/29 CHECKED BY: YHUANG11 DATE: 2015/12/29 APPROVED BY: MYE08 DATE: 2016/02/24	TITLE	CA, MCX-P R/A TO F JACK 75 OHM, RG179 CA-MCX-P R/A / F-J
		ANGULAR ± 2 ° DRAFT WHERE APPLICABLE MUST REMAIN WITHIN DIMENSIONS	MATERIAL NO.	DOCUMENT NO.	SHEET NO.			
		SIZE C	734196860	SD-73419-686	1 OF 1			
THIS DRAWING CONTAINS INFORMATION THAT IS PROPRIETARY TO MOLEX INCORPORATED AND SHOULD NOT BE USED WITHOUT WRITTEN PERMISSION								