

PLEASE CHECK WWW.MOLEX.COM FOR LATEST PART INFORMATION

Part Number: [0734043010](#)
Status: **Active**
Overview: SMB RF Connectors
Description: 75 Ohms, SMB Mini, Vertical, PCB, Jack Receptacle, One Piece Per Bag

Documents:

[Drawing \(PDF\)](#) [RoHS Certificate of Compliance \(PDF\)](#)

General

Product Family	RF/Coax Connectors
Series	73404
Overview	SMB RF Connectors
Product Name	SMB
Style	PCB
Taxonomy	RF / Coaxial Connectors
Type	Subminiature
UPC	884982691537
Wire/Cable Type	N/A

Physical

Gender	Jack
Keying to Mating Part	None
Net Weight	0.590/g
Orientation	Straight
PCB Mounting	Through Hole
PCB Thickness - Recommended	3.20mm
Packaging Type	Bag
Panel Mount	No
Panel Mount Method	N/A
Reverse Polar	No

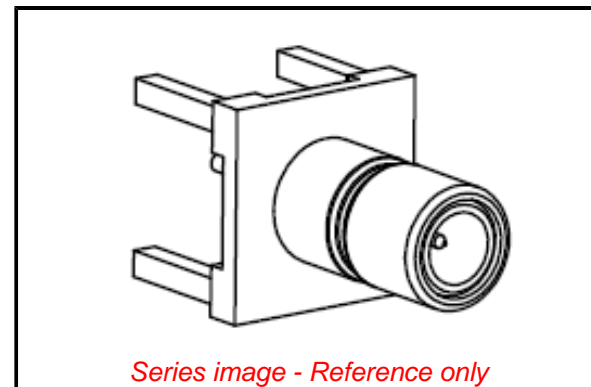
Electrical

Frequency	4 GHz
Impedance	75Ω
Power / Voltage	VOLTAGE: 335 Vrms@Sea Level

Material Info

Reference - Drawing Numbers

Sales Drawing SD-73100-0258-001, SD-73404-301-001



Series image - Reference only

EU ELV

Not Relevant

EU RoHS

Compliant with Exemption 6(c)

REACH SVHC

Contained Per - D(2022)4187-DC (10 June 2022)

Lead

Halogen-Free

Status

Low-Halogen

For more information, please visit [Contact US](#)

China ROHS

50 Image

ELV

Not Relevant

RoHS Phthalates

Not Contained

Search Parts in this Series

[73404 Series](#)

PLEASE CHECK WWW.MOLEX.COM FOR LATEST PART INFORMATION