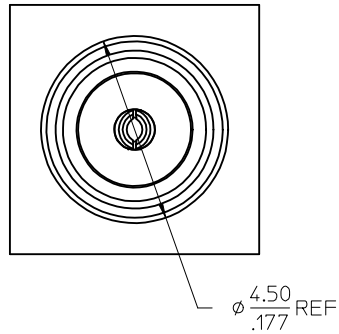


MATERIALS AND FINISHES:

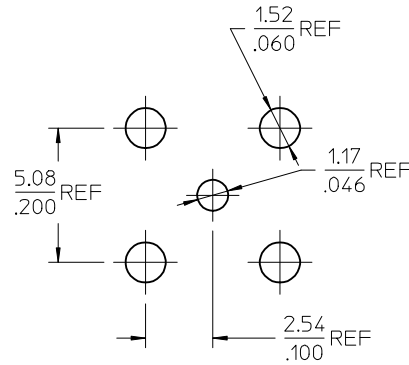
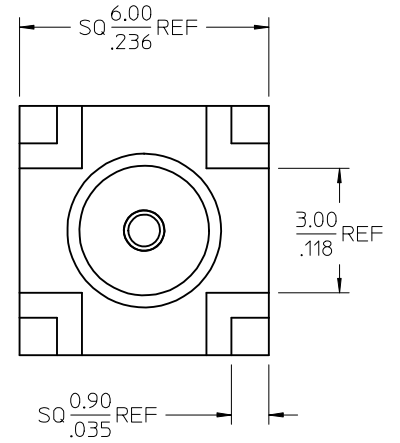
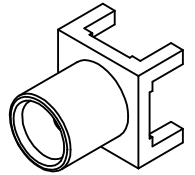
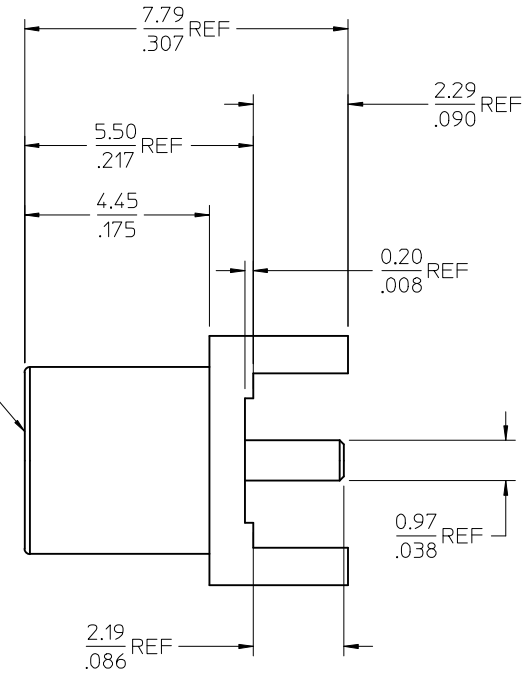
BODY: BRASS
PLATED GOLD

CONTACT: BERYLLIUM COPPER
PLATED GOLD

INSULATOR TEFLON



MCX JACK
75 OHM



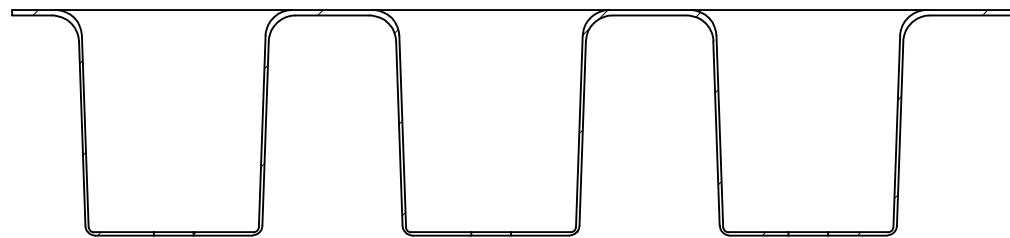
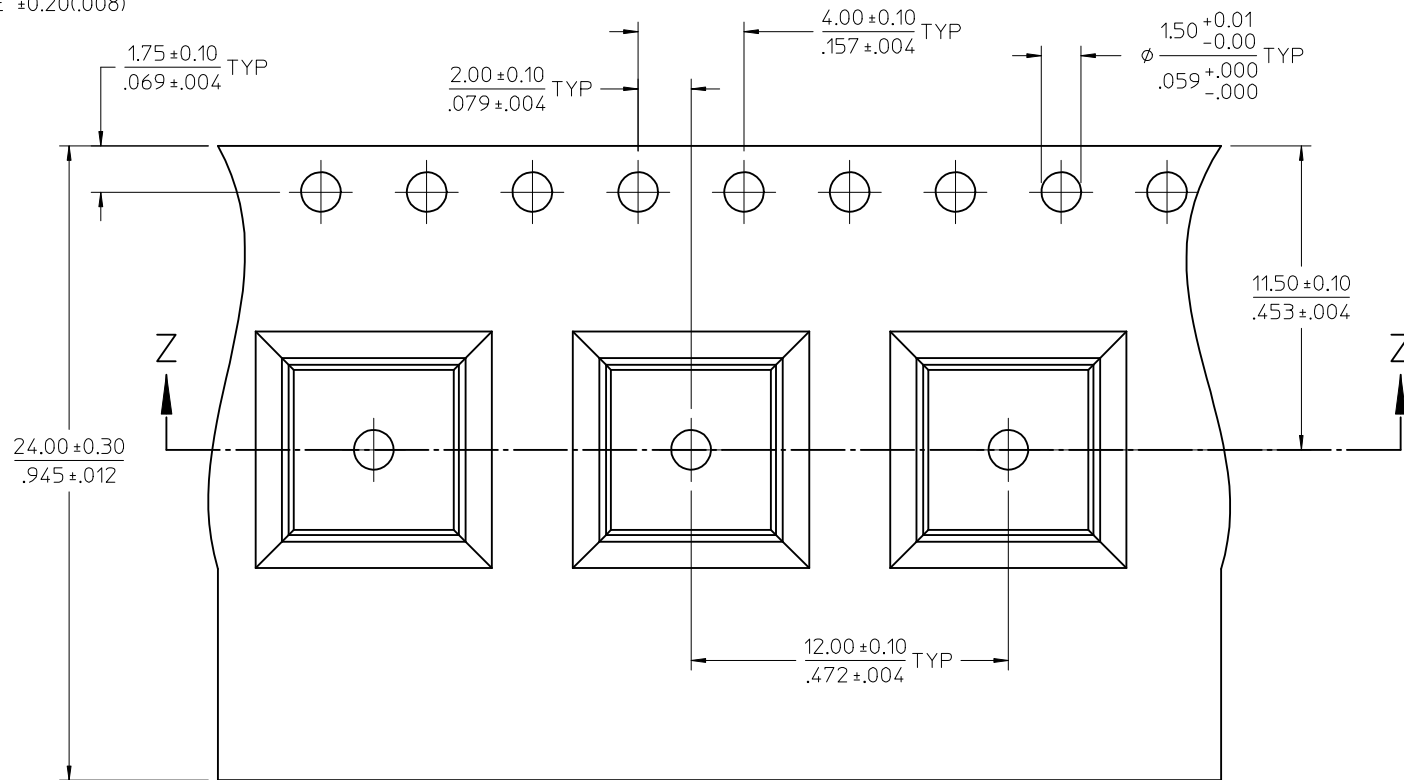
SUGGESTED PCB LAYOUT

PACKAGING WITH TAPE & REEL
SEE SHEETS 2 & 3

73366-6161	TAPE & REEL
73366-6160	TRAY
PART NO.	PACKAGING

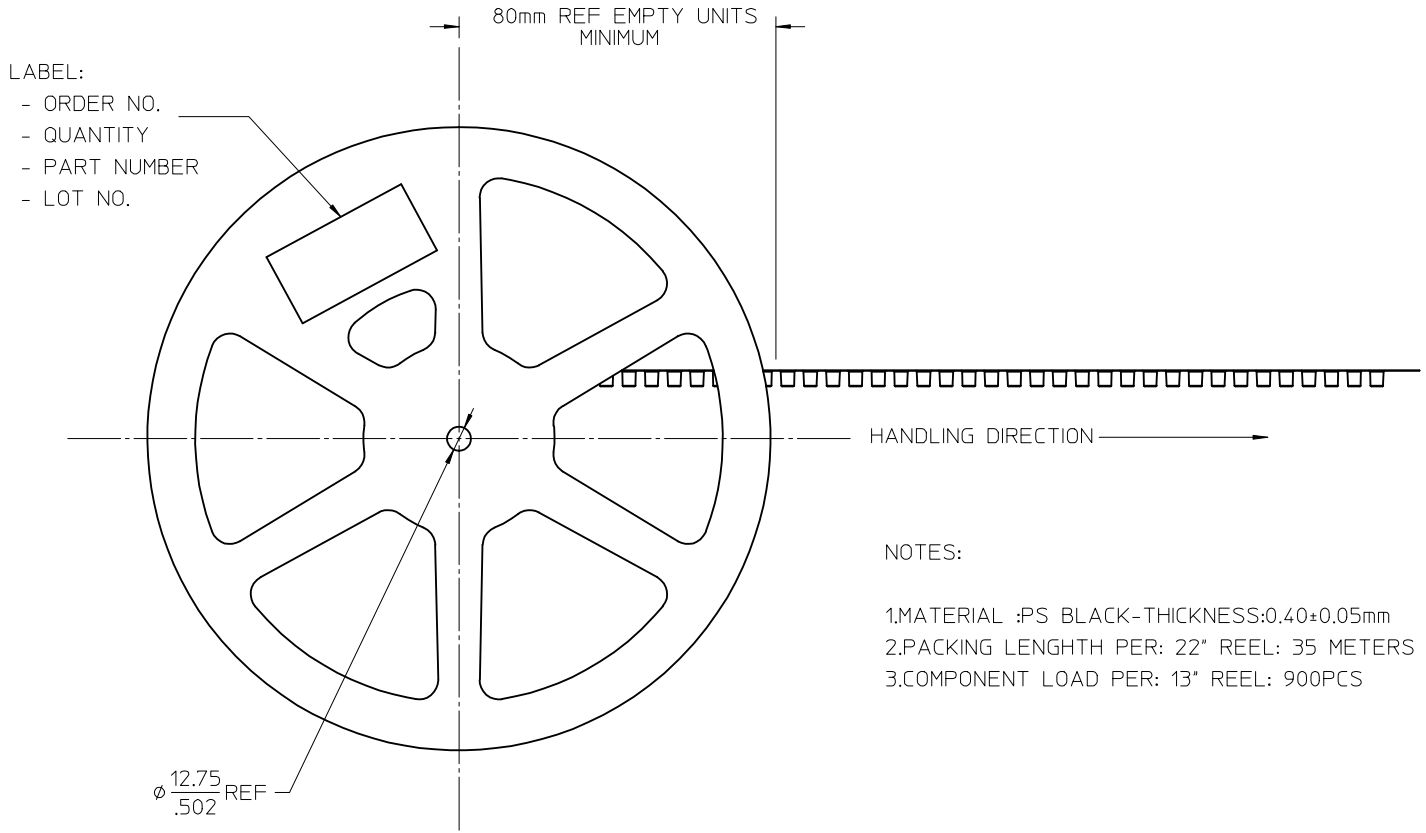
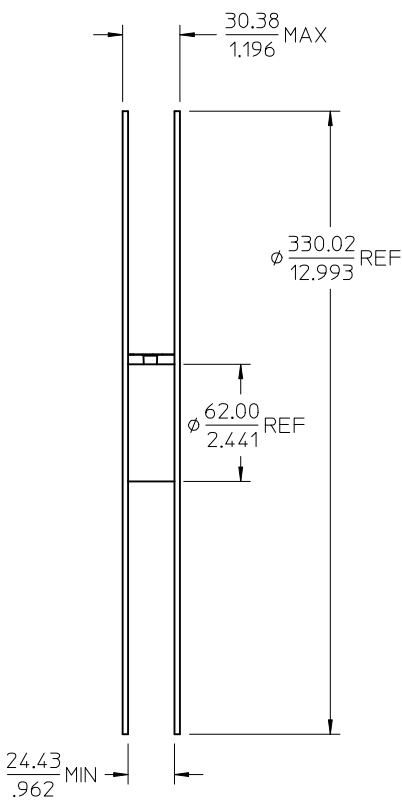
CHG: NEW RELEASE EC NO: URF2009-0689 DRWN: JLEE02 CHKD: SSHAH APPR: WJENER	2009/05/21 2009/05/21 2009/05/21	DESCRIPTION REV	QUALITY SYMBOLS ▽=0 ▽=0	GENERAL TOLERANCES (UNLESS SPECIFIED) mm INCH 4 PLACES ± .004 ± .0005 3 PLACES ± .004 ± .0005 2 PLACES ± .004 ± .0005 1 PLACE ± .004 ± .0005 ANGULAR ± 2°	DIMENSION STYLE MM/IN DRAWN BY DATE JDW 2009/04/06 CHECKED BY DATE SSS 2009/04/06 APPROVED BY DATE JDW 2009/04/06	SCALE DESIGN UNITS METRIC THIRD ANGLE PROJECTION	TITLE MCX JACK, PCB 75 OHMS, EWR-4039 MCX-J/PCB	MATERIAL NO. SEE TABLE	DOCUMENT NO. SD-73366-616	SHEET NO. 1 OF 3
			DRAFT WHERE APPLICABLE MUST REMAIN WITHIN DIMENSIONS			THIS DRAWING CONTAINS INFORMATION THAT IS PROPRIETARY TO MOLEX INCORPORATED AND SHOULD NOT BE USED WITHOUT WRITTEN PERMISSION				
			A			C				
			A			C				

NOTE:
1. 10 PITCHES CUMULATIVE TOLERANCE ±0.20(.008)



SECTION Z-Z

CHG: SEE SHEET 1 EC NO: URF2009-0689 DRWN: JLEE02 CHKD: SSHAH APPR: WIENER	2009/05/21 2009/05/21 2009/05/21	DESCRIPTION REV	QUALITY SYMBOLS ▽=0 ▽=0	GENERAL TOLERANCES (UNLESS SPECIFIED)		DIMENSION STYLE	SCALE	DESIGN UNITS	THIRD ANGLE PROJECTION
				mm	INCH	MM/IN	METRIC	⊙	
				4 PLACES ± ---	± ---	DRAWN BY	DATE	TITLE	
				3 PLACES ± ---	± ---	JDW	2009/04/06	MCX JACK, PCB	
2 PLACES ± ---	± ---	CHECKED BY	DATE	75 OHMS, EWR-4039					
1 PLACE ± ---	± ---	SSS	2009/04/06	MCX-J/PCB					
ANGULAR ± 2 °		APPROVED BY	DATE	MOLEX INCORPORATED					
DRAFT WHERE APPLICABLE MUST REMAIN WITHIN DIMENSIONS		JDW	2009/04/06	MATERIAL NO.	DOCUMENT NO.				
		SEE SHEET 1		SD-73366-616	SHEET NO.				
		THIS DRAWING CONTAINS INFORMATION THAT IS PROPRIETARY TO MOLEX INCORPORATED AND SHOULD NOT BE USED WITHOUT WRITTEN PERMISSION		2 OF 3					



LABEL:
- ORDER NO.
- QUANTITY
- PART NUMBER
- LOT NO.

NOTES:

- 1.MATERIAL :PS BLACK-THICKNESS:0.40±0.05mm
- 2.PACKING LENGTH PER: 22" REEL: 35 METERS
- 3.COMPONENT LOAD PER: 13" REEL: 900PCS

CHG: SEE SHEET 1
EC NO: URF2009-0689
DRWN:JLEE02 2009/05/21
CHKD:SSHAH 2009/05/21
APPR:JWIENER 2009/05/21

REV	DESCRIPTION
A	

QUALITY SYMBOLS		
▽=0		
▽=0		

GENERAL TOLERANCES (UNLESS SPECIFIED)	
mm	INCH
4 PLACES ± .---	± .---
3 PLACES ± .---	± .---
2 PLACES ± .---	± .---
1 PLACE ± .---	± .---
ANGULAR ± 2 °	

DIMENSION STYLE		SCALE	DESIGN UNITS	THIRD ANGLE PROJECTION
MM/IN			METRIC	
DRAWN BY	DATE	TITLE		
JDW	2009/04/06	MCX JACK, PCB 75 OHMS, EWR-4039 MCX-J/PCB		
CHECKED BY	DATE	MOLEX INCORPORATED		
SSS	2009/04/06			
APPROVED BY	DATE	MATERIAL NO.	DOCUMENT NO.	SHEET NO.
JDW	2009/04/06	SEE SHEET 1	SD-73366-616	3 OF 3
THIS DRAWING CONTAINS INFORMATION THAT IS PROPRIETARY TO MOLEX INCORPORATED AND SHOULD NOT BE USED WITHOUT WRITTEN PERMISSION				