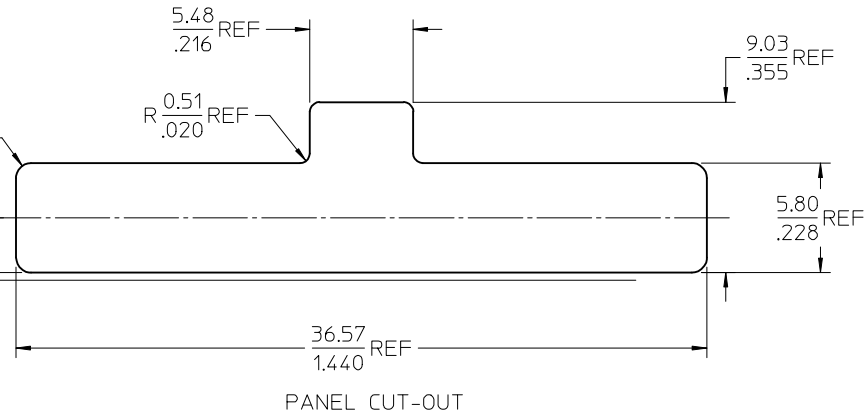
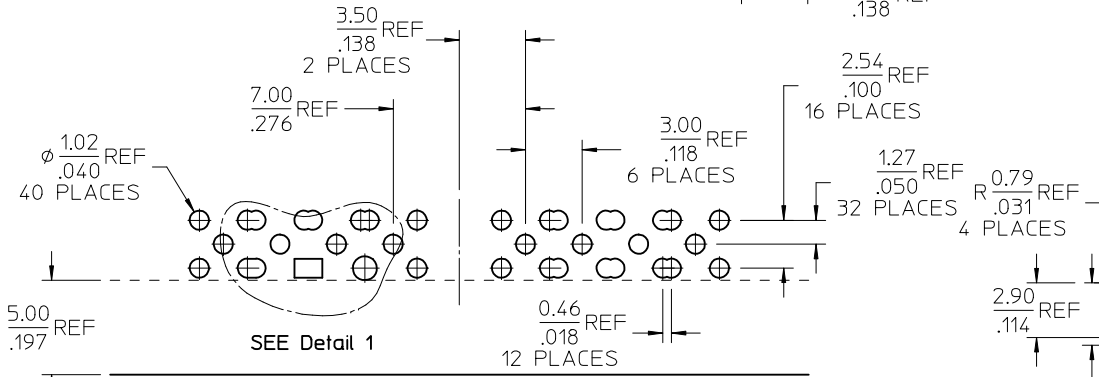
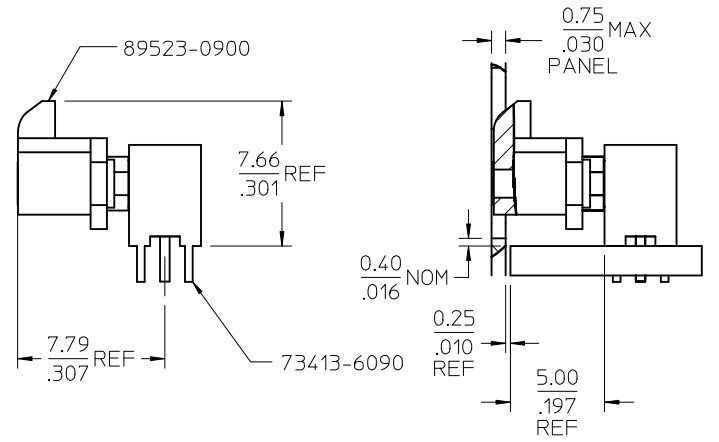
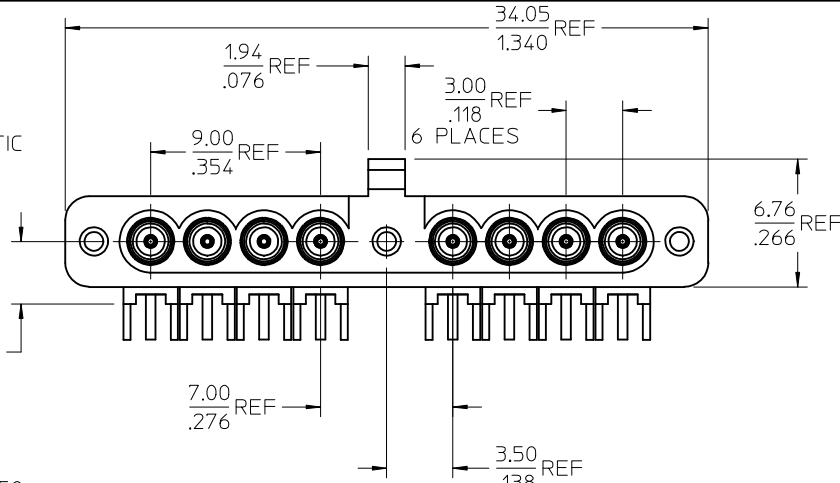


MATERIALS AND FINISHES

SSMCX: SEE SD-73413-609

BLOCK: HIGH TEMPERATURE PLASTIC  
265°C MAX FOR LEAD  
FREE SOLDER PROFILES



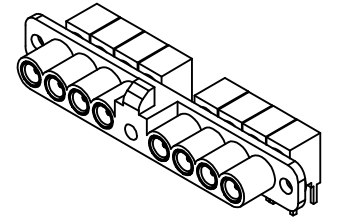
PCB LAYOUT

PANEL CUT-OUT

PART # 73358-0200  
RoHS COMPLIANT  
MATES WITH 73358-0210

Detail 1  
Scale 10:1

HOLE OPTION  
1, 2, 3, OR 4



CHG: UPDATE VIEW FOR INSULATOR AND CONTACT MAX SOLDER TEMP WAS 280 EC NO: URF2009-0632 DRWN: JWIENER 2009/04/24 CHKD: SSHAH 2009/04/24 APPR: JWIENER 2009/04/24 REV: A1	QUALITY SYMBOLS ▽=0 ▽=0	GENERAL TOLERANCES (UNLESS SPECIFIED)		DIMENSION STYLE MM/IN		SCALE DESIGN UNITS METRIC		THIRD ANGLE PROJECTION	
								TITLE <b>SSMCX J RA 75 OHM PCB LOW FORCE GANG 8 SSMCX-J/PCB, EWR-3940</b>	
								MOLEX INCORPORATED DOCUMENT NO. <b>SD-73358-020</b>	
		DRAFT WHERE APPLICABLE MUST REMAIN WITHIN DIMENSIONS		MATERIAL NO. <b>73358200</b>		THIS DRAWING CONTAINS INFORMATION THAT IS PROPRIETARY TO MOLEX INCORPORATED AND SHOULD NOT BE USED WITHOUT WRITTEN PERMISSION			