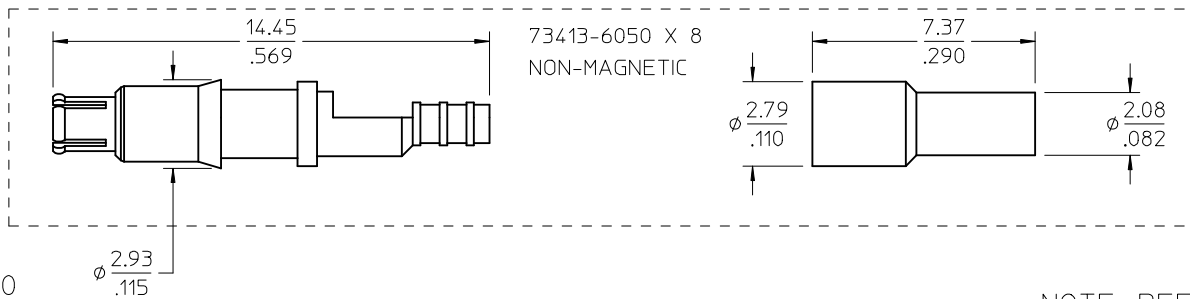
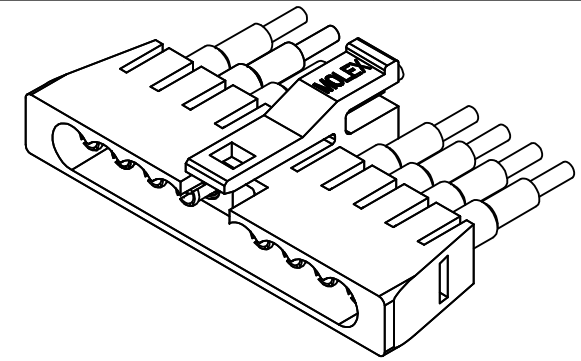
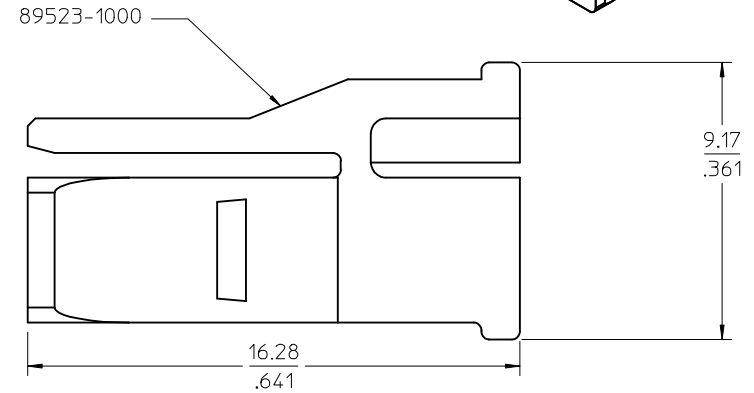
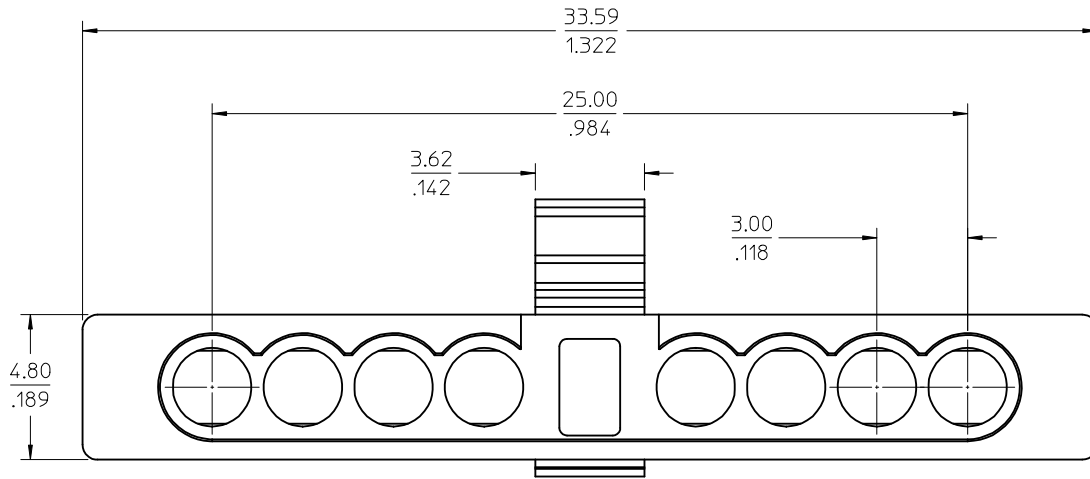


MATERIALS AND FINISHES:

BLOCK: ZYTEL

SSMCX PLUG:
SEE SD-73413-605



PART #: 73358-0120
GANG OF 8
NON MAGNETIC

NOTE: REFERENCE SD-73413-605
FOR CABLE ASSEMBLY INSTRUCTIONS.
OPTIONAL CABLE INSERTION TOOL
89676-7601 FOR INSERTING CONNECTORS
IN PLASTIC BLOCK SOLD SEPARATELY.

MATES WITH 73415-7043
AND 73358-0220

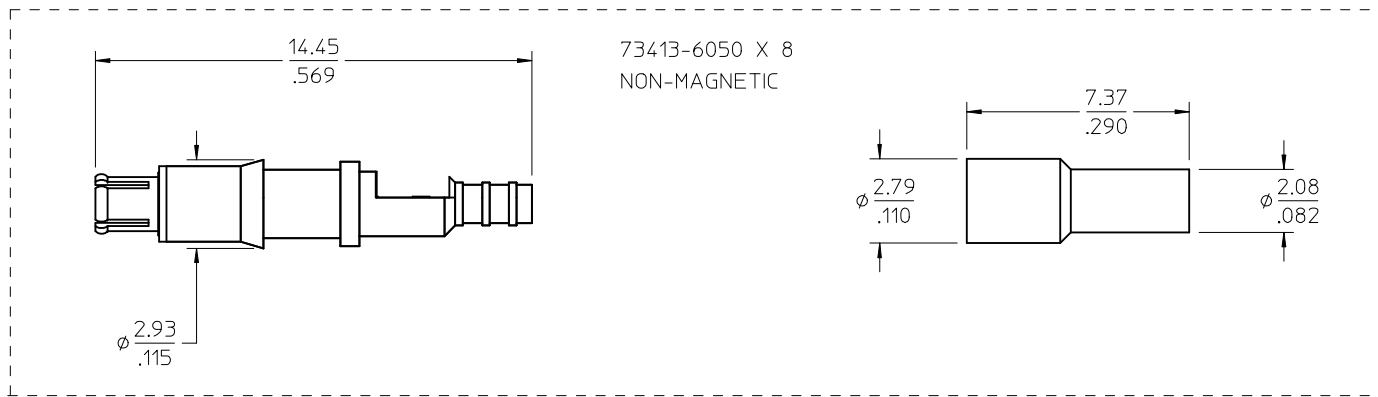
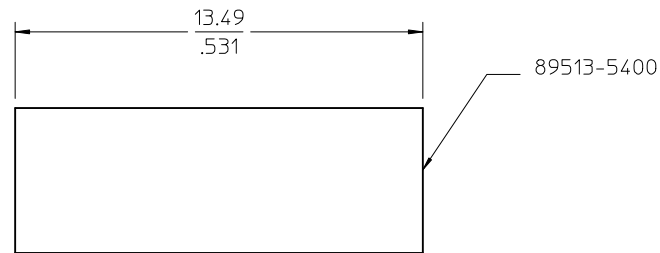
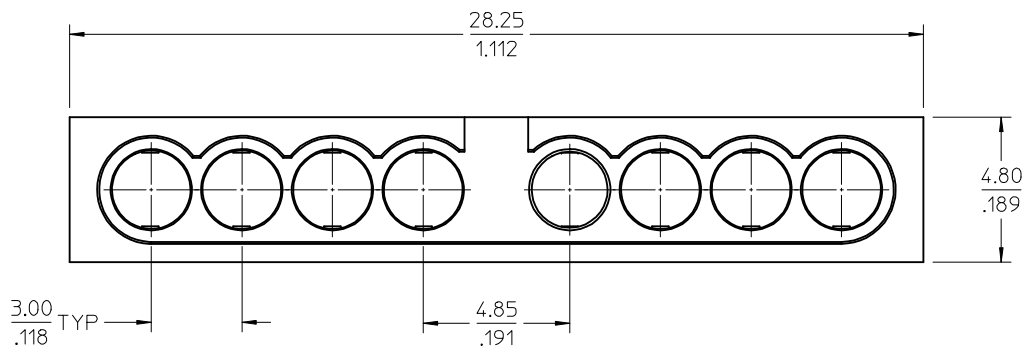
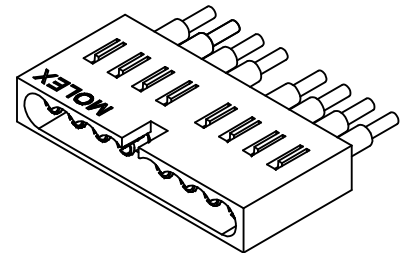
PS-89675-3600	SSMCX GANG PERF SPEC
SPECIFICATION	DESCRIPTION

CHG: ADDED 73358-0220 TO MATES WITH NOTE EC NO: URF2010-0020 DRWN: JWIENER 2009/07/13 CHKD: SSHAH 2009/07/13 APPR: JWIENER 2009/07/13	QUALITY SYMBOLS ▽=0 ▽=0	GENERAL TOLERANCES (UNLESS SPECIFIED)		DIMENSION STYLE	SCALE	DESIGN UNITS	THIRD ANGLE PROJECTION	
				MM/IN				
		4 PLACES ± --- ± ---	3 PLACES ± --- ± ---	2 PLACES ± --- ± ---	1 PLACE ± --- ± ---	DRAWN BY JYL	DATE 2008/11/20	TITLE SSMCX PLUG GANG NON-MAG 1.20MM, 1.18MM CABLE SSMCX-PC, EWR-3825
		ANGULAR ± 2 °		DRAFT WHERE APPLICABLE MUST REMAIN WITHIN DIMENSIONS		CHECKED BY SSS	DATE 2008/11/20	APPROVED BY JDW
A6		SEE TABLE		MATERIAL NO. DOCUMENT NO.		SHEET NO. 1 OF 2		
THIS DRAWING CONTAINS INFORMATION THAT IS PROPRIETARY TO MOLEX INCORPORATED AND SHOULD NOT BE USED WITHOUT WRITTEN PERMISSION								

MATERIALS AND FINISHES

BLOCK: STANYL

SSMCX PLUG:
SEE SD-73413-605



73413-6050 X 8
NON-MAGNETIC

PART # 73358-0121
GANG OF 8
NON-MAGNETIC

MATES WITH 73415-6630

NOTE: REFERENCE SD-73413-605
FOR CABLE ASSEMBLY INSTRUCTIONS

PS-89675-3600	SSMCX GANG PERF SPEC
SPECIFICATION	DESCRIPTION

CHG: SEE SHEET ONE EC NO: URF2010-0020 DRWN: JWIENER 2009/07/13 CHKD: SSHAH 2009/07/13 APPR: JWIENER 2009/07/13	QUALITY SYMBOLS ▽=0 ▽=0	GENERAL TOLERANCES (UNLESS SPECIFIED) mm INCH 4 PLACES ± --- ± --- 3 PLACES ± --- ± --- 2 PLACES ± --- ± --- 1 PLACE ± --- ± --- ANGULAR ± 2 °	DIMENSION STYLE MM/IN DRAWN BY DATE JYL 2008/11/20 CHECKED BY DATE SSS 2008/11/20 APPROVED BY DATE JDW 2008/11/20	SCALE 5:1 DESIGN UNITS METRIC THIRD ANGLE PROJECTION	TITLE SSMCX PLUG GANG NON-MAG 1.20MM, 1.18MM CABLE SSMCX-PC, EWR-3825	MATERIAL NO. SEE TABLE	DOCUMENT NO. SD-73358-012	SHEET NO. 2 OF 2
		DRAFT WHERE APPLICABLE MUST REMAIN WITHIN DIMENSIONS		MOLEX INCORPORATED		THIS DRAWING CONTAINS INFORMATION THAT IS PROPRIETARY TO MOLEX INCORPORATED AND SHOULD NOT BE USED WITHOUT WRITTEN PERMISSION		
		A6		SIZE C		MOLEX		
		REV		DESCRIPTION		MOLEX INCORPORATED		