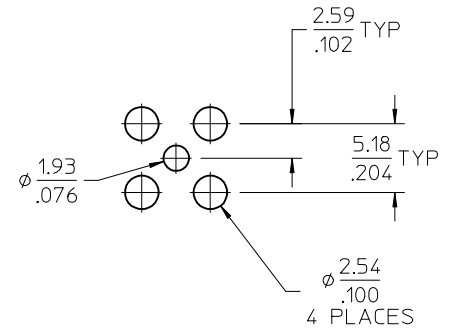
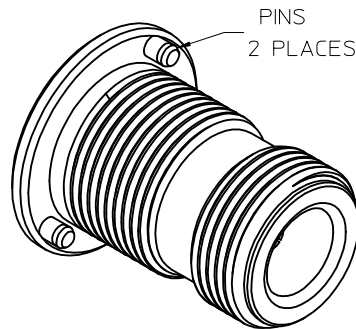
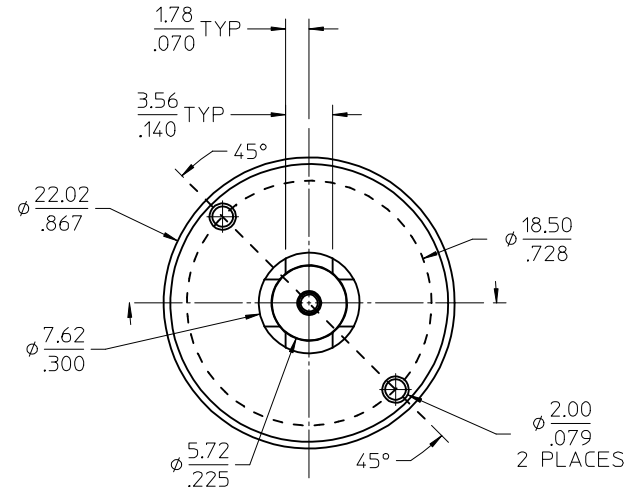
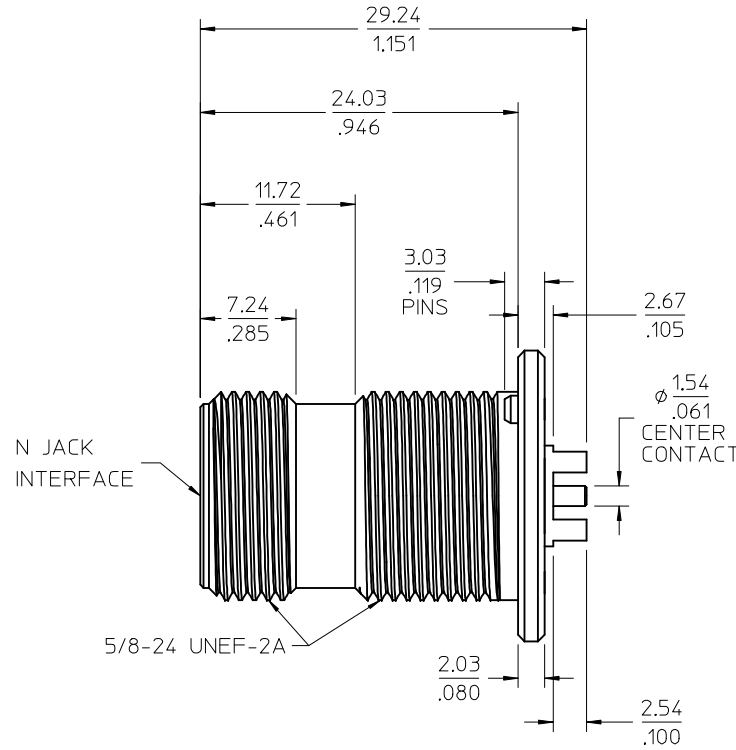


MATERIALS AND FINISHES:

BODY, PINS: BRASS  
 PLATED TRI-M (80μ-in MIN)

CENTER CONTACT: BERYLLIUM COPPER  
 PLATED GOLD (20μ-in MIN) OVER  
 NICKEL (50μ-in MIN)

INSULATOR: PTFE



PART NO. 73276-2080

MIL-STD-348A, FIG. 304.2	INTERFACE
SPECIFICATION	DESCRIPTION

CHG: 7.24/.285 DIM WAS 7.00/.276 DIM.	EC NO: URF2015-0328	2014/12/23	DRWNLMEIER	2014/12/23
	CHKD:AZR	2014/12/23	APPR:AROBERTSON	2014/12/23
REV	DESCRIPTION			

QUALITY SYMBOLS	▽=0	▽=0
-----------------	-----	-----

GENERAL TOLERANCES (UNLESS SPECIFIED)	mm	INCH
4 PLACES	± .005	± .0005
3 PLACES	± .013	± .0013
2 PLACES	± .025	± .0025
1 PLACE	± .050	± .0050
ANGULAR ± 2 °		
DRAFT WHERE APPLICABLE MUST REMAIN WITHIN DIMENSIONS		

DIMENSION STYLE	MM/IN
DRAWN BY	DATE
JYL	2009/05/14
CHECKED BY	DATE
AZR	2014/12/23
APPROVED BY	DATE
JWIENER	2010/02/24
MATERIAL NO.	732762080
SIZE	C

SCALE	DESIGN UNITS	THIRD ANGLE PROJECTION
	METRIC	
TITLE		
N JACK, BH PCB VERTICAL		
50 OHMS, EWR-4094		
N-J/PCB		
MOLEX INCORPORATED		
DOCUMENT NO.	SD-73276-208	SHEET NO.
		1 OF 1
THIS DRAWING CONTAINS INFORMATION THAT IS PROPRIETARY TO MOLEX INCORPORATED AND SHOULD NOT BE USED WITHOUT WRITTEN PERMISSION		